

Basic logic valves Series 2L

2

Cartridge Ø 4 mm.
or - and - yes - not - memory



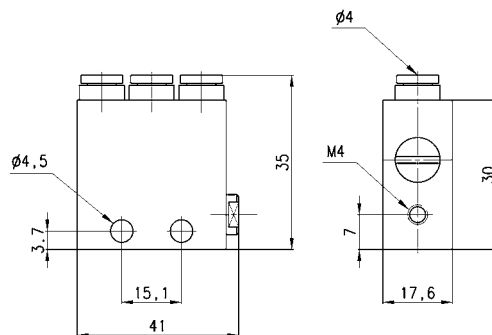
Basic logic functions Series 2L are available in 5 different models and can be mounted separately by means of 2 passing holes in the body. Bracket Mod. 2LQ-8A allows to have the inlets and outlets on the front side, facilitating the mounting of the connection tubes.

All models are constructed with the pressure window incorporated, which allows an easy detection of any problems. Moreover the fittings are incorporated into the valve body and are super-rapid Ø4. The "NOT" element has an actuating pressure of 0,3 bar.

GENERAL DATA

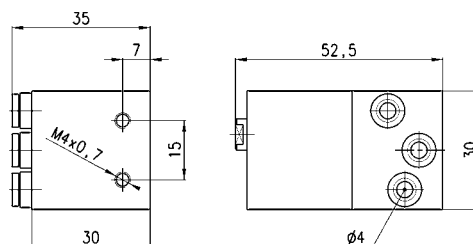
Construction	poppet (spool memory)
Materials	aluminium body; NBR seals; OT58 brass
Valve group	automatic valves (logic units)
Ports	cartridge Ø 4
Operating temperature	0°C + 80°C (-20°C with dry air)
Operating pressure	2 + 8 bar
Nominal flowrate	70 Nl/min. (6 bar ΔP = 1)
Fluid	filtered air, without lubricant. If lubricated air is used, it is recommended to use oil ISO VG32. Once applied the lubrication should never be interrupted.

Basic logics



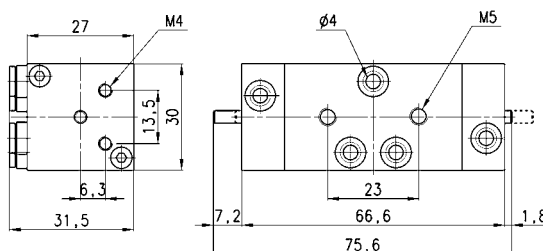
Mod.	Function
2LD-SB4-B	AND
2LR-SB4-B	OR

Basic logics



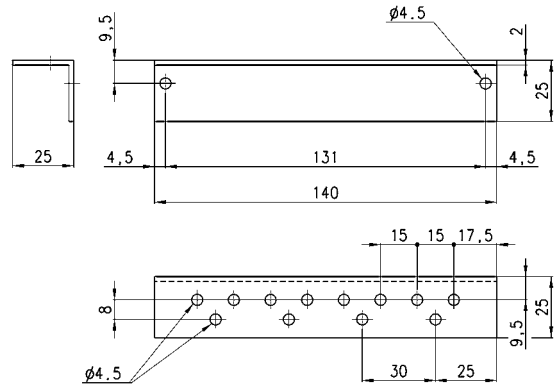
Mod.	Function
2LS-SB4-B	YES
2LT-SB4-B	NOT

Memory



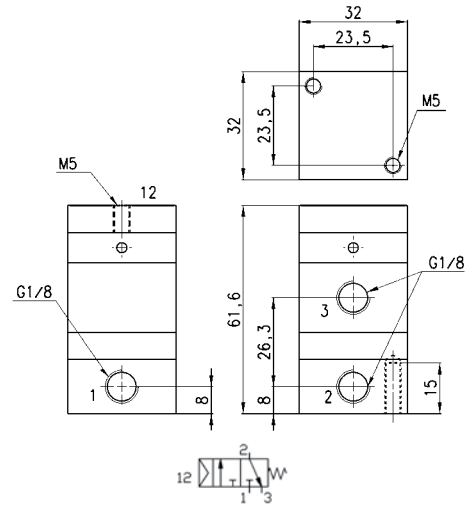
Mod.	Function
2LM-SB4-B	Memory

Right-angled bracket



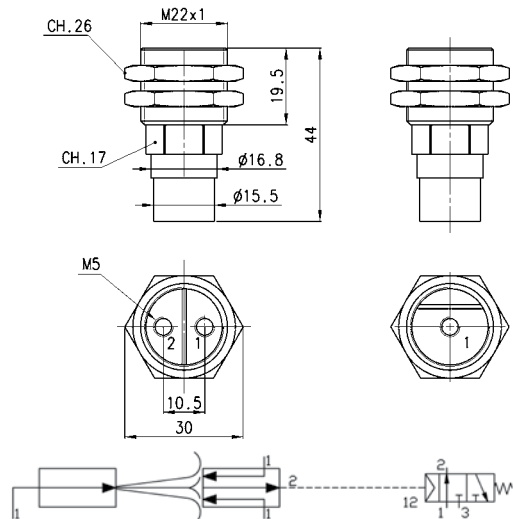
Mod.
2LQ-8A

Pneumatically operated amplifier valve Series 2L



Mod.
2LA-AM

Sender and receiver element Series 2L



Mod.	Type
2LB-SE	Sender
2LB-SR	Receiver