

# Flow regulators in 316L stainless steel Series XSCU, XSCO, XMFU and XMFO



These unidirectional and bidirectional flow regulators have a compact design that allows mounting directly on valves or cylinders in environments with aggressive fluids or gases.

## GENERAL DATA

<b>Construction</b>	needle type
<b>Valve group</b>	unidirectional and bidirectional controller
<b>Materials</b>	body and regulation screw: 316L stainless steel FKM seals
<b>Mounting</b>	by male/female thread
<b>Threads</b>	G1/8, G1/4, G3/8, G1/2
<b>Installation</b>	in any position
<b>Operating temperature</b>	-10°C ÷ +120°C
<b>Operating pressure</b>	1 ÷ 10 bar (unidirectional regulator) 0 ÷ 10 bar (bidirectional regulator Series XMFO) 0 ÷ 8 bar (bidirectional regulator Series XSCO)
<b>Nominal pressure</b>	6 bar
<b>Nominal diameter</b>	XSCU, XSCO: G1/8 = 4,5 - G1/4 = 6 - G3/8 = 8 - G1/2 = 12 XMFU, XMFO: G1/8 = 7,2 - G1/4 = 7,2 - G3/8 = 12 - G1/2 = 12
<b>Medium</b>	filtered air without lubrication with the unidirectional and bidirectional flow regulators all fluids compatible with the materials of the bidirectional flow regulators

## CODING EXAMPLE

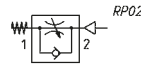
<b>X</b>	<b>M</b>	<b>CU</b>	-	<b>M5</b>
----------	----------	-----------	---	-----------

<b>X</b>	= INOX
<b>M</b>	ACTUATION: M = Manual S = Screwdriver
<b>CU</b>	ASSEMBLY: CU = on cylinders unidirectional CO = bidirectional FU = unidirectional FO = bidirectional
<b>M5</b>	PORTS: 1/8 = G1/8 1/4 = G1/4 3/8 = G3/8 1/2 = G1/2

To ensure the right choice of unidirectional flow controller, proceed as follows: calculate the quantity of air in NI/min (see cylinder Table); determine the stroke time of the cylinder; refer to graph to see which controller is the right type.

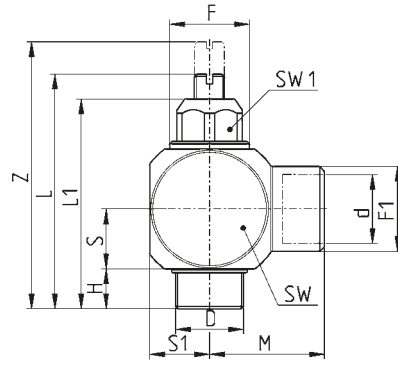
## Unidirectional flow regulators Series XSCU

Screwdriver regulation



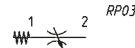
### DIMENSIONS

Mod.	D	d	F	F1	H	L	L1	M	S	S1	Z	SW	SW1
XSCU 1/8	G1/8	G1/8	16	15	6	38	36	17	8.5	8	43	16	13
XSCU 1/4	G1/4	G1/4	16	17	8	45	42	22.5	9.5	9.5	48	19	13
XSCU 3/8	G3/8	G3/8	22	22	13	67	63	25	11	13	72	26	20
XSCU 1/2	G1/2	G1/2	22	27	13	73	68	30	12	14	77	30	20



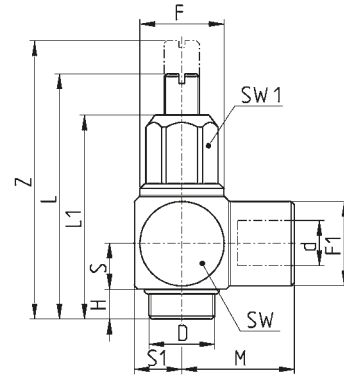
## Bidirectional flow regulators Series XSCO

Screwdriver regulation



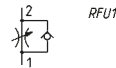
### DIMENSIONS

Mod.	D	d	F	F1	H	L	L1	M	S	S1	Z	SW	SW1
XSCO 1/8	G1/8	G1/8	15	15	6	38	36	17	8	8	43	16	13
XSCO 1/4	G1/4	G1/4	17	17	8	45	42	23	9	9	48	19	13
XSCO 3/8	G3/8	G3/8	24	22	13	63	63	25	11	13	72	26	20
XSCO 1/2	G1/2	G1/2	27	27	13	68	68	30	14	14	77	30	20



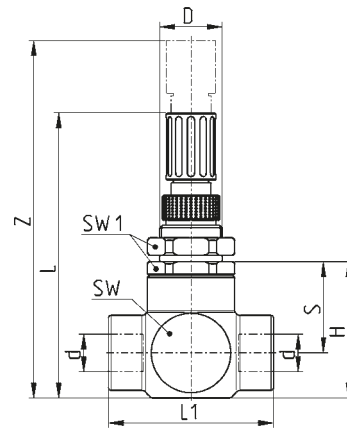
## Unidirectional flow regulators Series XMFU

Manual regulation



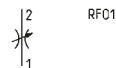
### DIMENSIONS

Mod.	d	D	H	L	L1	S	Z	SW	SW1
XMFU 1/8	G1/8	M15x0,75	35	77	43	22	82	22	19
XMFU 1/4	G1/4	M15x0,75	35	77	43	22	82	22	19
XMFU 3/8	G3/8	M25x1,5	54	111	65	36	125	36	32
XMFU 1/2	G1/2	M25x1,5	54	111	66	36	125	36	32



## Bidirectional flow regulators Series XMFO

Manual regulation



### DIMENSIONS

Mod.	d	D	H	L	L1	S	Z	SW	SW1
XMFO 1/8	G1/8	M15x0,75	35	77	42	21	82	22	20
XMFO 1/4	G1/4	M15x0,75	35	77	42	21	82	22	20
XMFO 3/8	G3/8	M25x1,5	54	111	66	36	125	36	32
XMFO 1/2	G1/2	M25x1,5	54	111	66	36	125	36	32

