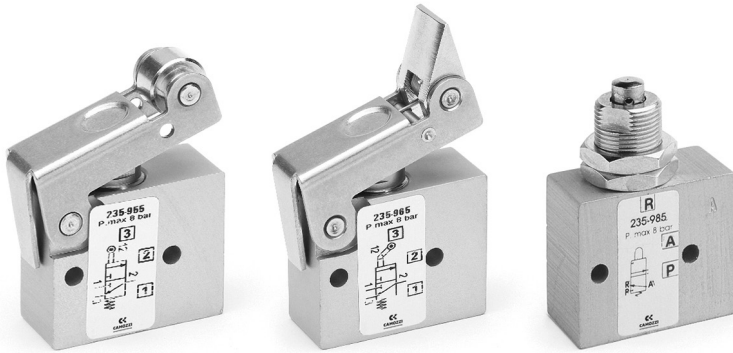


# Series 2 mechanically operated minivalves

3/2-way  
Ports M5, cartridge  $\varnothing 4$

SERIES 2 MECHANICALLY OPERATED MINIVALVES



Series 2 mechanically operated miniature valves, 3/2-way normally closed, are available with M5 threaded ports or with an integrated super-rapid fitting for  $\varnothing 4$ mm tubes. The devices are actuated by a plunger, roller/lever or a unidirectional lever.

## GENERAL DATA

<b>Construction</b>	poppet type
<b>Valve group</b>	3-way/2-position
<b>Materials</b>	aluminium body, brass plunger, NBR seals
<b>Mounting</b>	by means of screws in the through-holes of the valve body
<b>Ports</b>	M5, $\varnothing 4$ mm cartridge
<b>Room temperature</b>	0°C ÷ 60°C
<b>Fluid temperature</b>	0°C ÷ 50°C
<b>Operating pressure</b>	0 bar ÷ 10 bar
<b>Fluid</b>	Filtered air, without lubrication. If lubricated air is used, it is recommended to use ISO VG32 oil. Once applied the lubrication should never be interrupted.

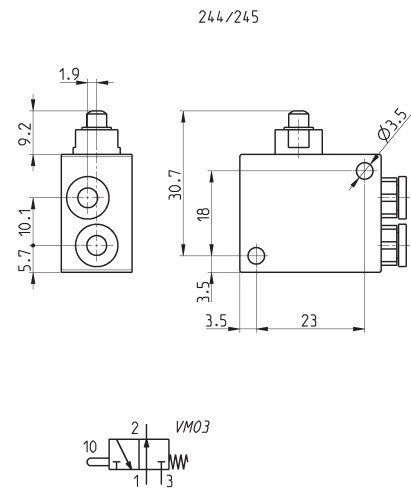
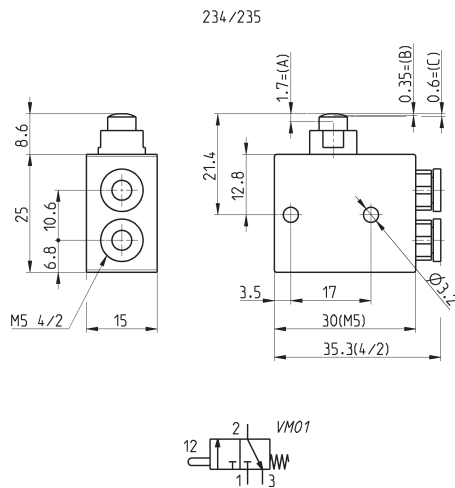
**CODING EXAMPLE**

<b>2</b>	<b>3</b>	<b>4</b>	<b>-</b>	<b>94</b>	<b>5</b>
<b>2</b>	SERIES				
<b>3</b>	FUNCTION 3 = 3/2-way NC 4 = 3/2-way NO				
<b>4</b>	PORTS 4 = cartridge $\varnothing$ 4mm 5 = M5				
<b>94</b>	ACTUATION 94 = plunger 95 = lever/roller 96 = unidirectional lever 98 = plunger, panel mounting				
<b>5</b>	RESETTING 5 = spring return				

**Minivalves with plunger**



**DRAWING LEGEND**  
A = total stroke  
B = pre-stroke  
C = effective stroke

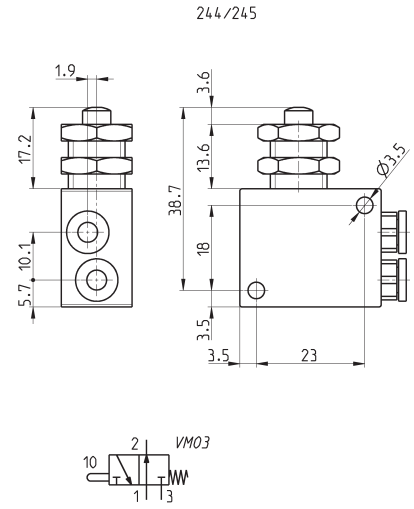
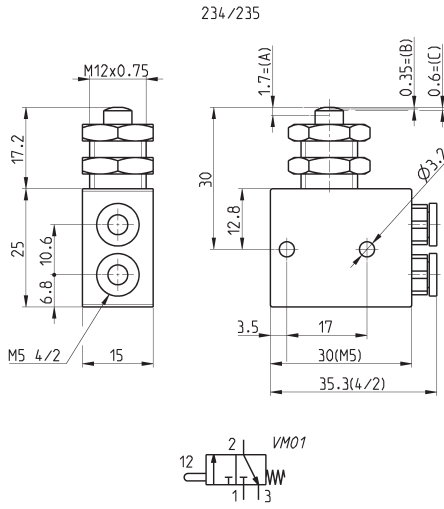


Mod.	Operating pressure (bar)	Flow Qn (NI/min)	Actuating force at 6 bar (N)	SYMBOL
234-945	2 ÷ 10	60	6	VM01
235-945	2 ÷ 10	60	6	VM01
244-945	2 ÷ 10	60	6	VM03
245-945	2 ÷ 10	60	6	VM03

### Minivalves with plunger, panel mounting

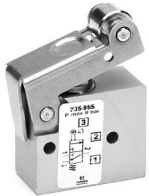


**DRAWING LEGEND**  
A = total stroke  
B = pre-stroke  
C = effective stroke

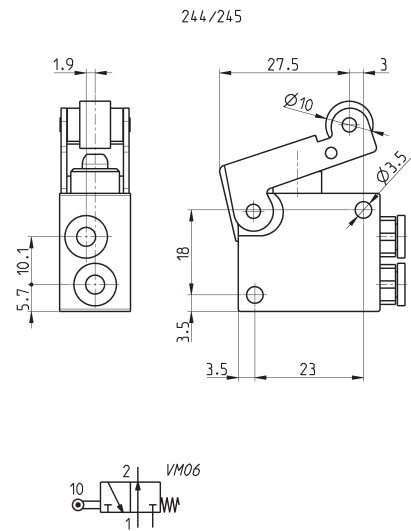
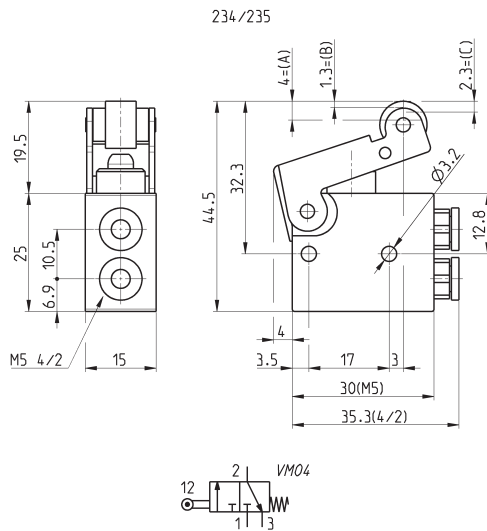


Mod.	Operating pressure (bar)	Flow Qn (NI/min)	Actuating force at 6 bar (N)	SYMBOL
234-985	2 ÷ 10	60	6	VM01
235-985	2 ÷ 10	60	6	VM01
244-985	2 ÷ 10	60	6	VM03
245-985	2 ÷ 10	60	6	VM03

### Minivalves with lever/roller

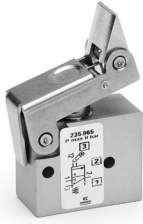


**DRAWING LEGEND**  
A = total stroke  
B = pre-stroke  
C = effective stroke

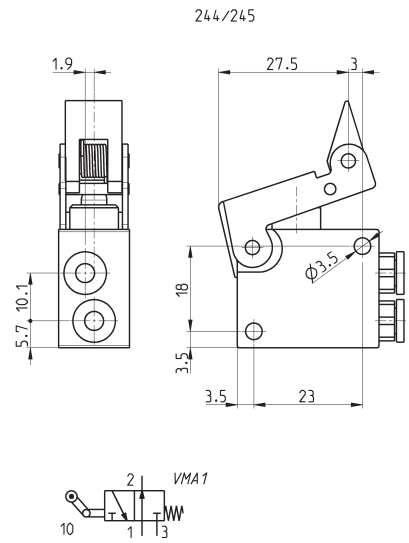
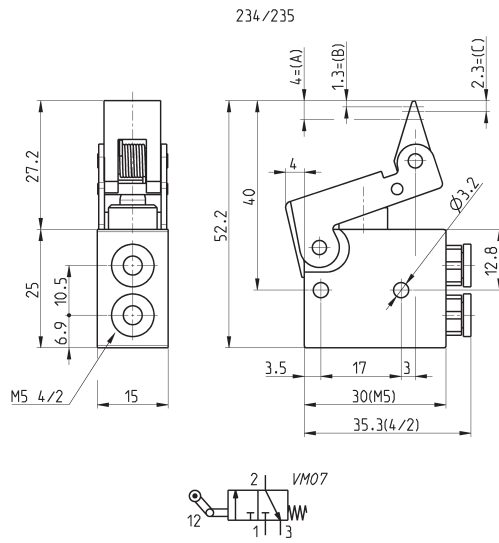


Mod.	Operating pressure (bar)	Flow Qn (NI/min)	Actuating force at 6 bar (N)	SYMBOL
234-955	2 ÷ 10	60	6	VM04
235-955	2 ÷ 10	60	6	VM04
244-955	2 ÷ 10	60	6	VM06
245-955	2 ÷ 10	60	6	VM06

**Minivalves, unidirectional lever**



**DRAWING LEGEND**  
 A = total stroke  
 B = pre-stroke  
 C = effective stroke



Mod.	Operating pressure (bar)	Flow Qn (NI/min)	Actuating force at 6 bar (N)	SYMBOL
234-965	2 ÷ 10	60	6	VM07
235-965	2 ÷ 10	60	6	VM07
244-965	2 ÷ 10	60	6	VMA1
245-965	2 ÷ 10	60	6	VMA1