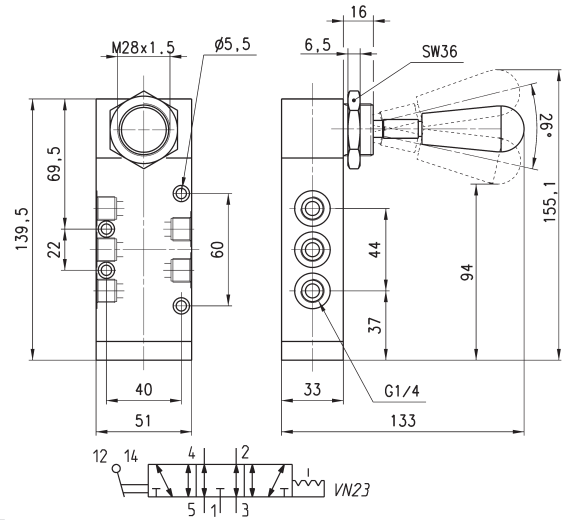
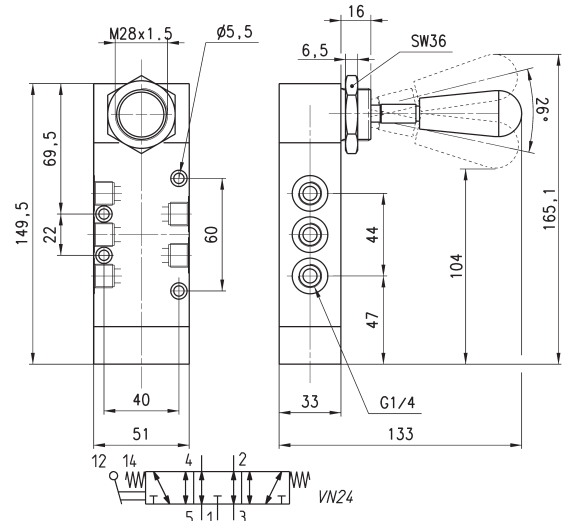


Valve Mod. 474-900



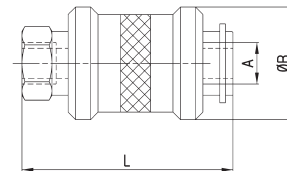
Mod.	Operating pressure (bar)	Flow (NL/min)	Actuating force (N)
474-900	-0.9 ÷ 10	1250	5

Valve Mod. 474-905



Mod.	Operating pressure (bar)	Flow (NL/min)	Actuating force (N)
474-905	-0.9 ÷ 10	1250	10

Series VMS slide valves



Mod.	A	ØB	L	Flow at 6 bar 1 (NL/min) 1-2	ΔP	Flow at 6 bar 1 (NL/min) 2-3	ΔP	Operating press. (bar)	Operating temp. (°C)
VMS-105-M5	M5	15	33,5	140		145		0 ÷ 15	-10 ÷ 80
VMS-118-1/8	G1/8	25	48	600		740		0 ÷ 15	-10 ÷ 80
VMS-114-1/4	G1/4	30	58	1200		1780		0 ÷ 15	-10 ÷ 80
VMS-138-3/8	G3/8	35	70	2100		1830		0 ÷ 15	-10 ÷ 80
VMS-112-1/2	G1/2	40	80	3350		4030		0 ÷ 15	-10 ÷ 80
VMS-134-3/4	G3/4	49,5	83	5350		5000		0 ÷ 15	-10 ÷ 80

