

Butterfly Valves - Manual

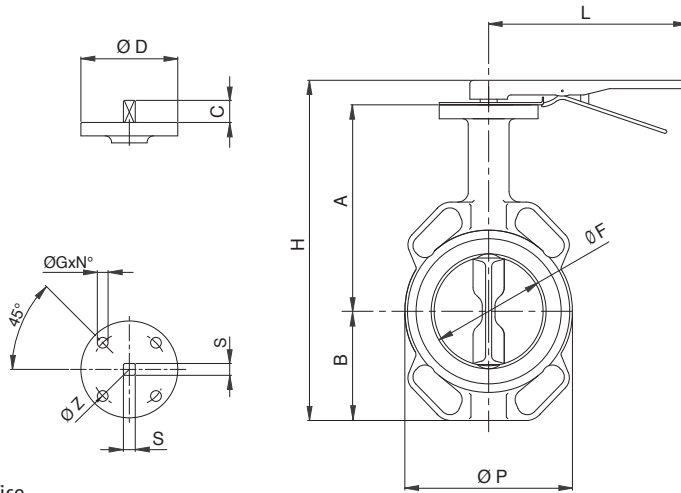
Wafer Types 600104 & 600105

Wafer Butterfly Valve to suit PN16 and ANSI 150 flanges with Handle and Body made of Cast Iron. The Butterfly Valve series Eurofly Wafer and Lug have been manufactured to meet the industrial applications of water treatment, fire-fighting and plumbing plants. They can be used for all the applications where fluid regulation is required. The Seat construction is made with a rigid plastic ring covered with thick EPDM or Buna or Viton coating, depending on the media. This system offers a soft and reliable closure, a long cycling life and low torque. Due to the seat geometry it is particularly easy to replace.

Part Number: 600104* Cast Iron Disc / EPDM seat
600105* Stainless Steel Disc / EPDM seat



Also available with limit switch box



Technical Data

Media

Any application with media suitable to materials of construction

Maximum Operating Pressure

16 BAR

Operating Temperature

-10°C to +120°C EPDM

Flange Rating

PN16 / ANSI 150

Materials

Body: Cast Iron

Disc: 600105: Stainless Steel
600104: Cast Iron

Stem: Stainless Steel 416

Liner: EPDM

Lever: EN GJL 250

Special Requests

For assistance, contact our technical office or your local Camozzi distributor.

Additional Options



Available with Pneumatic or Electric Actuators



With limit switch box



Gearbox Operator

- ✓ Ex Stock
- 🔧 UK Assembly
- ☎ Please Call Sales Office

Dimensions (mm)																			
Size	DN	H	A	B	L	ØF	ØP	ØR	E	ØD	C	ØG	N°	ØZ	S	Kv	PN	Kg	
*07	✓	32	190	112	58	162	35	85	56	33	90	22	7/10	4	50/70	11	51.0	PN16 - ANSI 150	2.04
*08	✓	40	204	112	70	162	41	95	68	33	90	22	7/10	4	50/70	11	68.0	PN16 - ANSI 150	2.30
*10	✓	50	236.1	142.7	71.4	267	52.25	100	73.3	43	90	22	7/10	4	50/70	11	99.0	PN16 - ANSI 150	3.24
*12	✓	65	255.2	155.4	77.8	267	64.05	120	86	46	90	22	7/10	4	50/70	11	169.0	PN16 - ANSI 150	3.88
*14	✓	80	272.8	161.8	89	267	78.65	127	100.9	46	90	22	7/10	4	50/70	11	260.0	PN16 - ANSI 150	4.18
*18	✓	100	302	178	102	267	104.15	161	132	52	90	22	10	4	70	14	516.0	PN16 - ANSI 150	5.36
*19	✓	125	335.5	190.2	123	267	123.35	190	156	56	90	22	10	4	70	14	879.0	PN16 - ANSI 150	7.10
*20	✓	150	365.2	205.2	138	267	155.85	215	185.4	56	90	22	10	4	70	14	1358.0	PN16 - ANSI 150	8.28
*21	✓	200	439.5	237	168	358	202.55	268	235.2	60	150	34.5	12	4	102	17	2697.0	PN16 - ANSI 150	13.70
*77	✓	250	509.8	268.3	207	358	250.55	325	289.4	68	150	34.5	12	4	102	22	4592.0	PN16 - ANSI 150	21.82
*78	✓	300	586.5	308.5	243.5	358	301.65	375	341.2	78	150	34.5	14	4	125	27	7095.0	PN16 - ANSI 150	32.09
*97	✓	350**	-	386	259	-	341.7	436	-	78	175	65	18	4	140	Ø28	10249	16	54.50
*98	✓	400**	-	400	309	-	397.5	488	-	102	175	75	18	4	140	Ø38	14094	16	87.00
*	✓	450**	-	422	327	-	448.4	536	-	114	175	75	18	4	140	Ø37.9	18666	16	101.50
*	✓	500**	-	480	361	-	499	593	-	127	210	90	23	4	165	Ø45	24001	16	149.00
*	✓	600**	-	562	459	-	600.1	820	-	151	210	100	23	4	165	Ø55.6	37080	16	240.00

DN32-40 valves only available with Stainless Steel Disc.