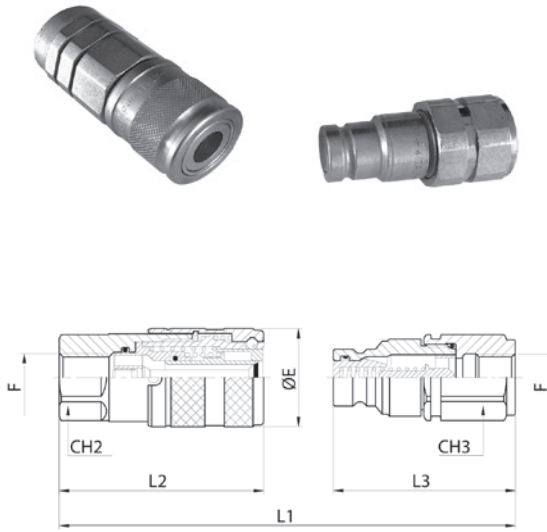


PLT4 Premier Range - Hydraulic Flat Face Couplings

ISO 16028



Technical Data

Characteristics

PLT4 couplings are manufactured to the ISO 16028 standard. This guarantees:

- interchangeability with other couplings manufactured to this standard.
 - maximum operating pressure 350 bar for all sizes
 - Safety factor 1:4 coupled and uncoupled
- reliable operation of the coupling with low pressure drops guaranteed, irrespective of the flow direction, male to female or female to male

Materials

See page 317

Threads

Metric - G(BSP)

NPT according to DIN 3852 form Y.
UNF thread according to SAE J1926 norm

Outside metric according to DIN 2353 L(light) or S(heavy).

Outside metric according to DIN 2353 L(light) or S(heavy) bulkhead

Operating Temperature

NBR standard seals -25°C to +100°C



See page 318 for Dust Caps

- ✓ Ex Stock
- ✎ UK Assembly
- Ⓞ Please Call Sales Office

Nominal Size		Max Working Pressure (bar)	Rated Flow (l/m)	Max Flow Rate (l/m)	Min. Burst Pressure			Fluid Spillage (CC)
ISO	mm				Male (bar)	Female (bar)	Coupled (bar)	
5	4	500	3	9	2500	2100	2500	0.006
6.3	6	400	12	24	1900	1900	1900	0.008
10	8.6	350	23	46	1500	1700	1600	0.010
12.5	10.7	350	45	90	1700	1500	1700	0.012
16	12.8	350	74	150	1600	1400	1500	0.015
19	14.8	350	100	200	1600	1400	1800	0.020
25	17.6	350	189	280	1400	1400	1500	0.030

F	ISO	CH2	CH3	ØE	L1	L2	L3	Standard	Carrier Half Part Number	Probe Half Part Number
BSP 1/8	5	17	17	25	84.1	48.6	43.5	DIN 3852-2-X	PLT4.0404.112	PLT4.0404.113
BSP 1/4	6.3	22	22	28	100	58.5	52	DIN 3852-2-X	PLT4.0606.112	PLT4.0606.113
BSP 3/8	6.3	22	22	28	100	58.5	52	DIN 3852-2-X	PLT4.0610.112	PLT4.0610.113
BSP 3/8	10	30	30	32	118.3	73.5	60.5	DIN 3852-2-X	PLT4.1310.112	PLT4.1310.113
BSP 1/2	10	30	30	32	118.3	73.5	60.5	DIN 3852-2-X	PLT4.1313.112	PLT4.1313.113
M22x1.5	10	30	30	32	122.3	74.5	63.5	SAE J 2244/1	PLT4.1322.102	PLT4.1322.103
BSP 1/2	12.5	36	36	38	138.7	83.5	72.5	DIN 3852-2-X	PLT4.2013.112	PLT4.2013.113
BSP 3/4	12.5	36	36	38	140.7	83.5	74.5	DIN 3852-2-X	PLT4.2019.112	PLT4.2019.113
3/4-16 UNF 2B	12.5	36	36	38	132.2	79.5	70	SAE J 1926-1	PLT4.2019.032	PLT4.2019.033
7/8-14 UNF 2B	12.5	36	36	38	138.2	81.5	74	SAE J 1926-1	PLT4.2023.032	PLT4.2023.033
BSP 1/2	16	38	38	42	141.2	86	72.5	DIN 3852-2-X	PLT4.2213.112	PLT4.2213.113
BSP 3/4	16	38	38	42	143.2	86	74.5	DIN 3852-2-X	PLT4.2219.112	PLT4.2219.113
3/4-16 UNF 2B	16	38	38	42	134.7	82	70	SAE J 1926-1	PLT4.2219.032	PLT4.2219.033
7/8-14 UNF 2B	16	38	38	42	140.7	84	74	SAE J 1926-1	PLT4.2223.032	PLT4.2223.033
1 1/16-12 UN 2B	16	38	38	42	142.7	86	74	SAE J 1926-1	PLT4.2227.032	PLT4.2227.033
BSP 3/4	19	41	41	48	159	94.5	86	DIN 3852-2-X	PLT4.2519.112	PLT4.2519.113
BSP 1	19	41	41	48	162	97.5	86	DIN 3852-2-X	PLT4.2525.112	PLT4.2525.113
BSP 1 1/4	25	55	55	55	176.5	109.3	50	DIN 3852-2-X	PLT4.3031.112	PLT4.3031.113