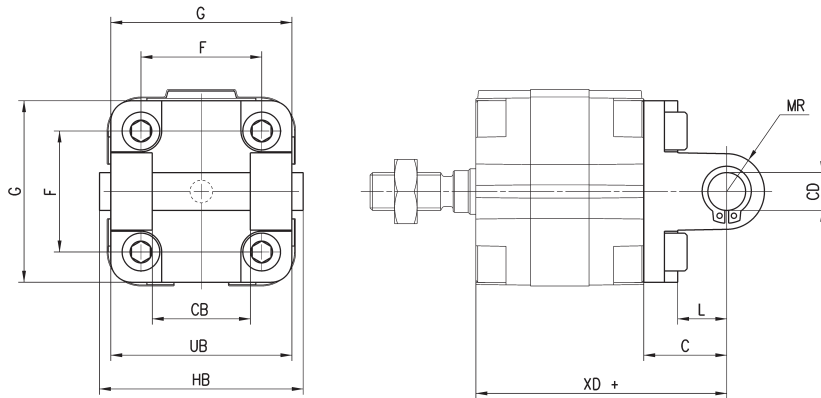


## Female rear trunnion Mod. C

Material: Aluminium



Supplied with:  
4x screws  
1x clevis pin  
1x centering pin  
1x trunnion  
+ = add the stroke



### DIMENSIONS

Mod.	∅	∅CD	L	C	XD+	MR	F	G	CB	UB	HB
C-31-32	32	10	13	21	66,5	11	32	50	26	45	54
C-31-40	40	12	16	25	70,5	13	42	60	28	52	62
C-31-50	50	12	16	27	72,5	13	50	68	32	60	70
C-31-63	63	16	21	32	82	17	62	87	40	70	82
C-31-80	80	16	23	36	92	17	82	102	50	90	102
C-31-100	100	20	26	41	107,5	21	103	128	60	110	126

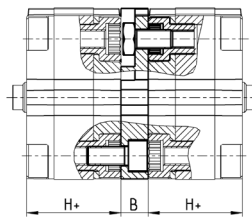
## Intermediate bracket Mod. DC

Flange in aluminium



Supplied with:  
1x flange  
1x centering pin  
4x screws

+ = add the stroke



### DIMENSIONS

Mod.	∅	B	H+	Max stroke (mm)
DC-31-12-16	12-16	12,5	38	400
DC-31-20	20	12,5	38	400
DC-31-25	25	13	39,5	400
DC-31-32	32	14,5	44,5	600
DC-31-40	40	14,5	45,5	600
DC-31-50	50	14,5	45,5	600
DC-31-63	63	14,5	50	600
DC-31-80	80	16,5	56	800
DC-31-100	100	19,5	66,5	800