

# Series 29 mini ball valves for Pneumatics and industrial fluids

Tube external diameters: 4, 6 and 8mm

Threads: BSP (G1/8, G1/4, G3/8, G1/2, R1/8, R1/4)



- » Reduction in installation time
- » Compact dimensions
- » Cost effective solution
- » Lightweight
- » Maximum flow capability
- » Easy-to-operate lever
- » Usage with polymer tubing
- » Available versions: MINI, ECO, butterfly and 3/2-way

The mini ball valves are used to open or close air or fluids in industrial applications characterised by extremely reduced spaces.

The miniaturised dimensions and light weight of Series 29 enable a quick installation at any point of the system, also thanks to the push-in connection or thread.

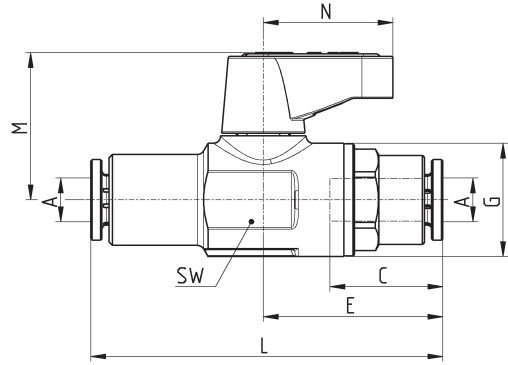
The design and materials used make this series particularly suitable for compressed air systems as well as hydraulic circuits and systems.

## GENERAL DATA

Valve body	Brass
Rod	Brass
Retainer	Brass
Ball	Nickel plated brass
Ball seals	PTFE
Rod sealing ring	FKM
Lever	Glass charged PA66
Surface finishing	Chrome plated, sandblasted and chrome plated (only butterfly version)
Operation	90° lever rotation
Nominal diameter	6 mm (MINI version) from 6mm to 10mm (ECO version) From 8mm to 10mm (butterfly and 3/2-way version)
Working pressure	0 - 10 bar at 90 °C
Temperature limits	from -10°C to +90°C
Flow direction	2-way (with drain for 3/2-way version)

**Mini ball valves, MINI version - Mod. 2948**

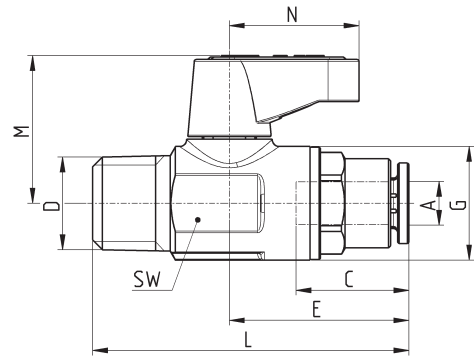
2/2 in-line with Push-in Collet



Mod.	A	DN	C	E	G	L	M	N	SW
2948 4	4	6	14	22.5	16	45	21	18.5	14
2948 6	6	6	16	25.5	16	50	21	18.5	14
2948 8	8	6	17.5	27	16	53	21	18.5	14

**Mini ball valves, MINI version - Mod. 2947**

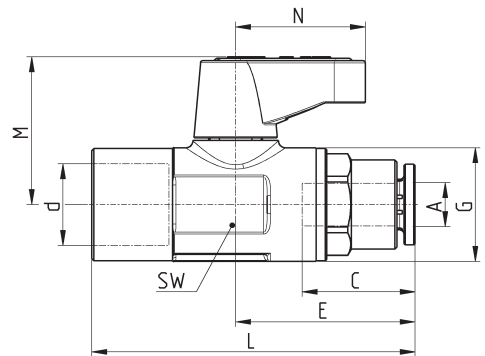
2/2 in-line with Push-in Collet, Male BSPT Threads



Mod.	A	d	DN	C	E	G	L	M	N	SW
2947 1/8-4	4	R1/8	6	14	22.5	16	39.5	21	18.5	14
2947 1/8-6	6	R1/8	6	16	25.5	16	42.5	21	18.5	14
2947 1/8-8	8	R1/8	6	17.5	27	16	44	21	18.5	14
2947 1/4-4	4	R1/4	6	14	22.5	16	42	21	18.5	14
2947 1/4-6	6	R1/4	6	16	25.5	16	45	21	18.5	14
2947 1/4-8	8	R1/4	6	17.5	27	16	46.5	21	18.5	14

**Mini ball valves, MINI version - Mod. 2946**

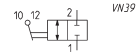
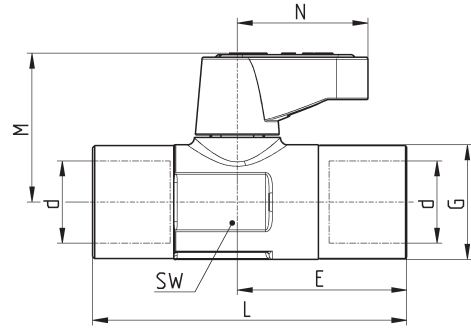
2/2 in-line with Push-in Collet, Female BSPP Threads



Mod.	A	d	DN	C	E	G	L	M	N	SW
2946 1/8-4	4	G1/8	6	14	22.5	16	41	21	18.5	14
2946 1/8-6	6	G1/8	6	16	25.5	16	44	21	18.5	14
2946 1/8-8	8	G1/8	6	17.5	27	16	45.5	21	18.5	14
2946 1/4-4	4	G1/4	6	14	22.5	16	43	21	18.5	14
2946 1/4-6	6	G1/4	6	16	25.5	16	46	21	18.5	14
2946 1/4-8	8	G1/4	6	17.5	27	16	47.5	21	18.5	14

**Mini ball valves, MINI version - Mod. 2943**

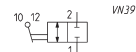
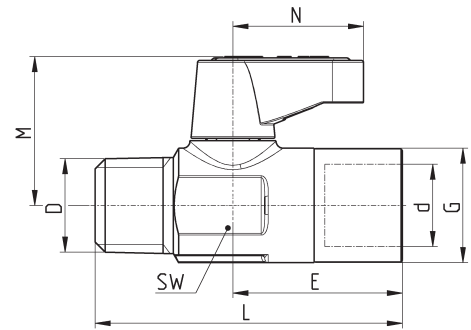
2/2 in-line, Female-Female BSPP Threads



Mod.	d	DN	E	G	L	M	N	SW
2943 1/8	G1/8	6	21	16	39.5	21	18.5	14
2943 1/4	G1/4	6	24	16	44.5	21	18.5	14

**Mini ball valves, MINI version - Mod. 2944**

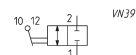
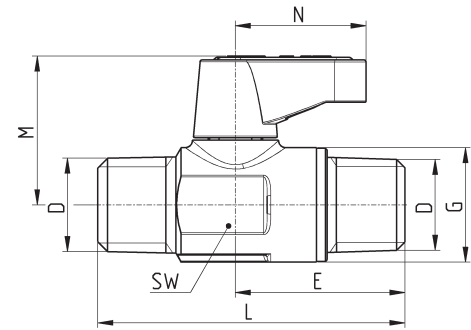
2/2 in-line, Male BSPT-Female BSPP Threads



Mod.	d	D	DN	E	G	L	M	N	SW
2944 1/8-1/8	G1/8	R1/8	6	21	16	38	21	18.5	14
2944 1/4-1/4	G1/4	R1/4	6	24.5	16	43.5	21	18.5	14

**Mini ball valves, MINI version - Mod. 2945**

2/2 in-line, Male BSPT Threads



Mod.	D	DN	E	G	L	M	N	SW
2945 1/8	R1/8	6	21	16	38.5	21	18.5	14
2945 1/4	R1/4	6	24	16	43.5	21	18.5	14

**Colored Interchangeable Clips Mod. C29**

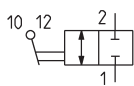
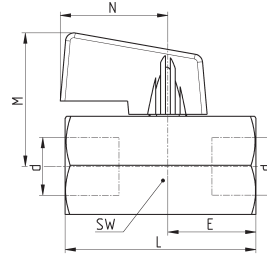


Mod.
C29-GREY
C29-RED
C29-BLUE

**Mini ball valves, ECO version - Mod. 2953**



2/2 in-line, Female-Female BSPP  
Threads



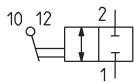
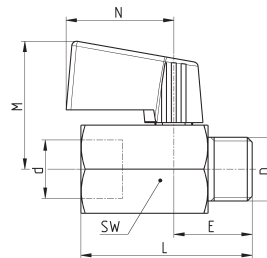
VN39

Mod.	d	DN	E	L	M	N	SW
2953 1/4	G1/4	8	18	39	27	22	20
2953 3/8	G3/8	8	21	42	27	22	20
2953 1/2	G1/2	10	23	47	29	22	24

**Mini ball valves, ECO version - Mod. 2954**



2/2 in-line, Male BSPP-Female BSPP  
Threads



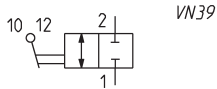
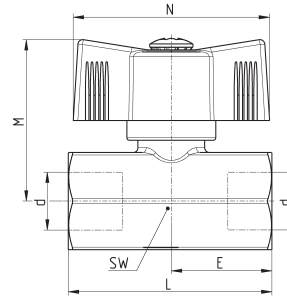
VN39

Mod.	d	D	DN	E	L	M	N	SW
2954 1/4-1/4	G1/4	G1/4	8	18	39	27	22	20
2954 3/8-3/8	G3/8	G3/8	8	19	40	27	22	20
2954 1/2-1/2	G1/2	G1/2	10	21	45	29	22	24

**Mini ball valves, Butterfly version - Mod. 2963**



2/2 in-line, Female-Female BSPP  
Threads

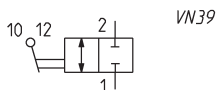
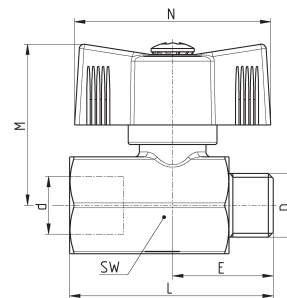


Mod.	d	DN	E	L	M	N	SW
2963 1/4	G1/4	8	21	41.5	33	40	20
2963 3/8	G3/8	8	21	41.5	33	40	20
2963 1/2	G1/2	10	24	47	34.5	40	24

**Mini ball valves, Butterfly version - Mod. 2964**



2/2 in-line, Male BSPP-Female BSPP  
Threads

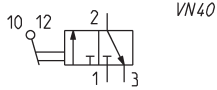
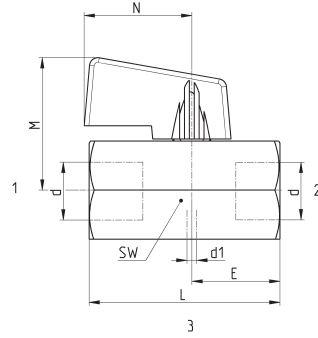


Mod.	d	D	DN	E	L	M	N	SW
2964 1/4-1/4	G1/4	G1/4	8	20.5	41.5	33	40	20
2964 3/8-3/8	G3/8	G3/8	8	20.5	41.5	33	40	20
2964 1/2-1/2	G1/2	G1/2	10	21	45	34.5	40	24

**Mini ball valves, 3/2-way version - Mod. 2973**



3/2 in-line, Male BSPP-Female BSPP  
Threads

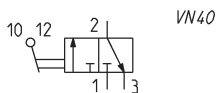
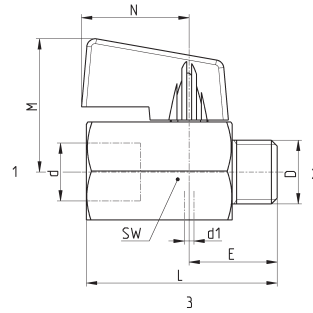


Mod.	d	DN	d1	E	L	M	N	SW
2973 1/4	G1/4	8	2	18	39	27	22	20
2973 3/8	G3/8	8	2	21	42	27	22	20
2973 1/2	G1/2	10	2	23	47	29	22	24

**Mini ball valves, 3/2-way version - Mod. 2974**



3/2 in-line, Male BSPP-Female BSPP  
Threads



Mod.	d	D	DN	d1	E	L	M	N	SW
2974 1/4-1/4	G1/4	G1/4	8	2	18	39	27	22	20
2974 3/8-3/8	G3/8	G3/8	8	2	19	40	27	22	20
2974 1/2-1/2	G1/2	G1/2	10	2	21	45	29	22	24