

# Series 2 mini-handle valves

Handle with incorporated micro valve 3/2 NC and NO  
Handle with incorporated micro switch

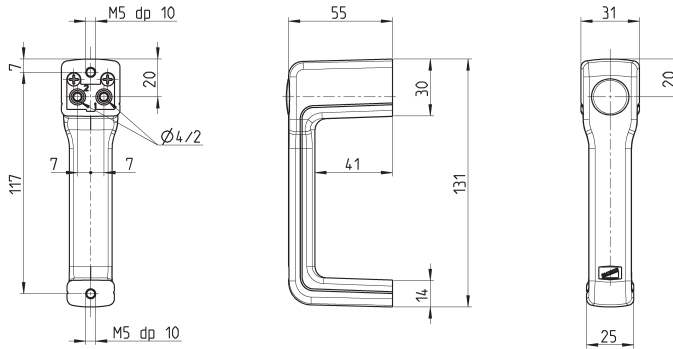
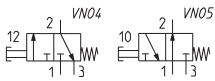


Manual handle with integrated pneumatic micro valve 3/2 or with an electrical micro switch with single pole changeover contacts.  
Rugged construction particularly suited to be incorporated in to other equipment.

## GENERAL DATA

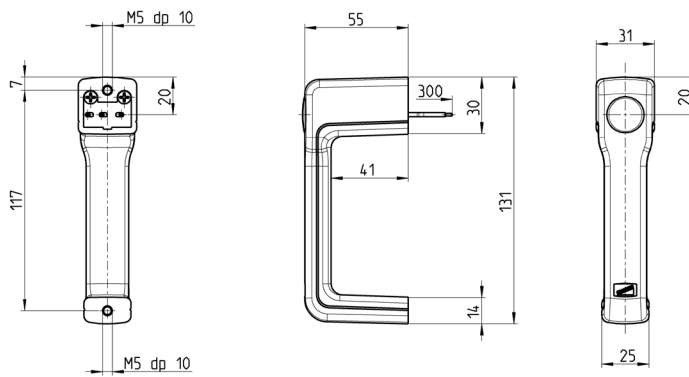
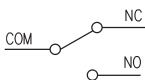
<b>Construction</b>	poppet-type (closed centres)
<b>Valve group</b>	way/pos. 3/2 way NC and NO
<b>Nominal diameter</b>	2,5 mm
<b>Fixing</b>	N°2 holes M5
<b>Ports</b>	push in cartridge Ø4
<b>Installation</b>	in any position
<b>Operating temperature</b>	0 ÷ +70°C (-20°C with dry air)
<b>Operating pressure</b>	2 ÷ 8 bar
<b>Nominal flow rate</b>	Qn 60 Nl/min. (6 bar Δ p1)
<b>Fluid</b>	Filtered air, without lubrication. If lubricated air is used, it is recommended to use ISO VG32 oil. Once applied the lubrication should never be interrupted.
<b>Actuating force</b>	at 6 bar 13N
<b>Construction</b>	switch device
<b>Electrical connections</b>	3 wires Ø external 2,2 mm internal section 0,5 length 30 cm NC = black wire NO = blue wire
<b>Fixing</b>	N° 2 holes M5
<b>Mounting</b>	in any position
<b>Operating temperature</b>	0 ÷ +70°C
<b>Protection class</b>	IP40
<b>Activation stroke</b>	2 mm
<b>Actuating force</b>	5 N

**Handle 3/2 NC and NO**



Mod.	Symbol
234-885	VN04
244-885	VN05

**Handle**



Electrical characteristics						
Mod.	Voltage	Non-inductive load Resist. NC / NO	Non-inductive load Lamp NC / NO	Inductive load NC / NO	Inductive load Motor NC/NO	
234-88E	125VAC	5A	1,5 A / 0,7 A	3 A	2,5 A / 1,3 A	
	250 VAC	3A	1 A / 0,5 A	2 A	1,5 A / 0,8 A	
	8 VDC	5A	2 A	5 A / 4 A	3 A	
	14 VDC	5A	2 A	4 A	3 A	
	30 VDC	4A	2 A	3 A	3 A	
	125 VDC	0,4A	0,05 A	0,4 A	0,05 A	
	250 VDC	0,2A	0,05 A	0,2 A	0,05 A	
234-88E	The above-mentioned values refer to steady-state-current	The inductive load refers to power factor = 0,4 in AC. and a time constant of 7 msec max. in DC.	Lamp load has an inrush current of 10 times the steady-state current.	Motor load has an inrush current of 6 times the steady-state current.	If the switch is used in a DC circuit and is subjected to a surge connect a surge suppressor across the switch.	