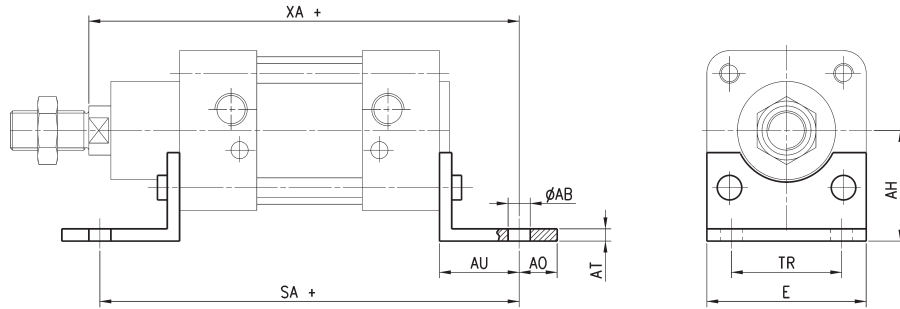


Foot mount Mod. B

Material: stainless steel 316



Supplied with:
2x feet
4x screws
+ = add the stroke



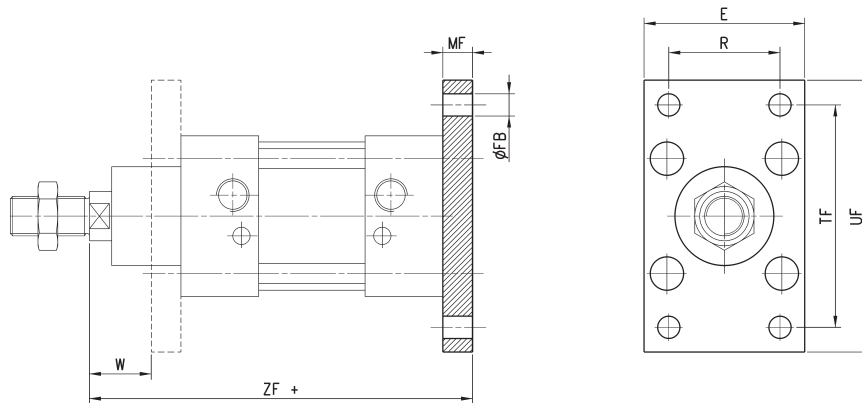
DIMENSIONS										
Mod.	Ø	ØAB	AH	AO	AT	AU	E	TR	SA+	XA+
B-90-32	32	7	32	11	4	24	45	32	142	144
B-90-40	40	9	36	8	4	28	52	36	161	163
B-90-50	50	9	45	15	5	32	65	45	170	175
B-90-63	63	9	50	13	5	32	75	50	185	190
B-90-80	80	12	63	14	6	41	95	63	210	215
B-90-100	100	14	75	16	6	41	115	75	220	230
B-90-125	125	16	90	25	8	45	140	90	250	270

Front and rear flange Mod. D-E

Material: stainless steel 316



Supplied with:
1x flange
4x screws
+ = add the stroke



DIMENSIONS										
Mod.	Ø	E	ØFB	MF	TF	UF	W	ZF+	R	
D-E-90-32	32	45	7	10	64	80	16	130	32	
D-E-90-40	40	52	9	10	72	90	20	145	36	
D-E-90-50	50	65	9	12	90	110	25	155	45	
D-E-90-63	63	75	9	12	100	120	25	170	50	
D-E-90-80	80	95	12	15	126	150	30	190	63	
D-E-90-100	100	115	14	15	150	170	35	205	75	
D-E-90-125	125	140	16	20	180	205	45	245	90	