

Super-rapid fittings in 316L stainless steel Series X6000



SUPER-RAPID SERIES X6000 FITTINGS IN 316L STAINLESS STEEL

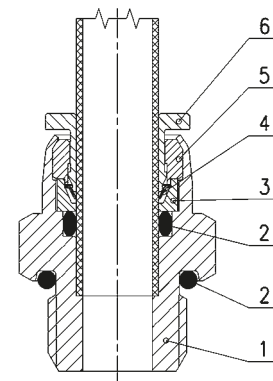


Series X6000 fittings use the push-in system for an easy and quick connection and disconnection, while maintaining high performance and quality. The stainless steel body guarantees a correct operation, even with aggressive fluids.

GENERAL DATA

Diameters	ø 4 - 6 - 8 - 10 - 12 mm	
Threads	GAS conical ISO 7 (BSPT) GAS cylindrical ISO 228 (BSPP)	
Temperature	-15°C ÷ +150°C NOTE: for a better use of the fitting we recommend to check the tubing specifications	
Tube to connect	PA6, PA11, PA12, Polyurethane (PU), Polyethylene (PE), PTFE, FEP	
Medium	Compressed air, food fluids, drinking water and all fluids compatible with the fitting component materials	
Materials	1 = Body 2 = Seals 3 = Supporting ring 4 = Clamping gripper 5 = Locking bushing 6 = Release bushing	Stainless steel 316L FKM (for food applications) Stainless steel 316L Stainless steel 301 Stainless steel 316L Stainless steel 316L
Nominal pressure	max 20 bar (check the technical data sheet of the tube you want to use)	

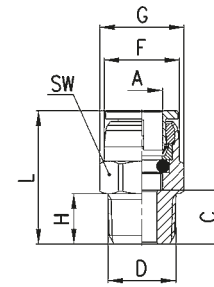
Fitting with connecting tube



Fittings Mod. X6510



Metric-BSPT Male Connector

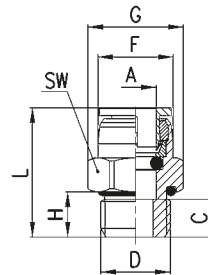


DIMENSIONS								
Mod.	A	D	C	F	G	H	L	SW
X6510 4-1/8	4	R1/8	8	9.7	-	8	20.5	10
X6510 4-1/4	4	R1/4	10	9.7	-	10	22.5	14
X6510 6-1/8	6	R1/8	8	11.6	13.4	8	21.5	12
X6510 6-1/4	6	R1/4	10	11.6	15.2	10	23.5	14
X6510 8-1/8	8	R1/8	8.5	14.7	17	8	24.6	15
X6510 8-1/4	8	R1/4	10	14.7	17	10	26.1	15
X6510 10-1/4	10	R1/4	11	17.4	20.8	10	28.2	19
X6510 10-3/8	10	R3/8	12	17.4	20.8	11	29.2	19
X6510 10-1/2	10	R1/2	14	17.4	24.6	13	31.2	22
X6510 12-1/4	12	R1/4	12	20	-	10	31	22
X6510 12-3/8	12	R3/8	12.5	20	-	11	31.5	22
X6510 12-1/2	12	R1/2	14.5	20	-	13	33.5	22

Fittings Mod. X6512



Metric-BSPP Male Connector

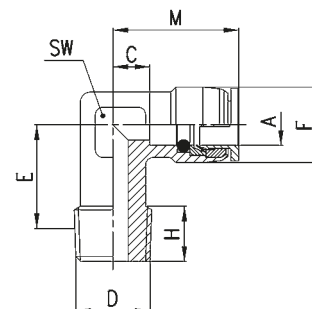


DIMENSIONS								
Mod.	A	D	C	F	G	H	L	SW
X6512 4-1/8	4	G1/8	5.7	9.7	-	5.7	18.2	14
X6512 4-1/4	4	G1/4	6.4	9.7	-	6	18.9	17
X6512 6-1/8	6	G1/8	6.7	11.6	15	5.7	20.2	14
X6512 6-1/4	6	G1/4	6.5	11.6	-	6	20	17
X6512 8-1/8	8	G1/8	8.7	14.7	-	5.7	24.8	15
X6512 8-1/4	8	G1/4	6	14.7	-	6	22.1	17
X6512 10-1/4	10	G1/4	8.5	17.4	-	6	25.7	19
X6512 10-3/8	10	G3/8	6.5	17.4	-	6.5	23.7	22
X6512 10-1/2	10	G1/2	11.5	17.4	30	9.5	28.7	27
X6512 12-1/4	12	G1/4	8.5	20	-	6	27.5	22
X6512 12-3/8	12	G3/8	9	20	-	6.5	28	22
X6512 12-1/2	12	G1/2	12.5	20	30	9.5	31.5	27

Fittings Mod. X6500



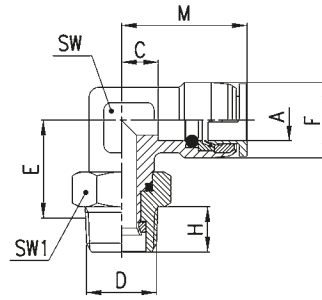
BSPT Fix Male Elbow



DIMENSIONS								
Mod.	A	D	C	E	F	H	M	SW
X6500 4-1/8	4	R1/8	7.8	12.5	11	8	20.3	12
X6500 6-1/8	6	R1/8	8.8	12.5	11.9	8	22.3	12
X6500 6-1/4	6	R1/4	8.8	12	11.9	9	22.3	12
X6500 8-1/8	8	R1/8	8.4	15	15	8	24.5	12
X6500 8-1/4	8	R1/4	8.4	14	15	10	24.5	12
X6500 10-1/4	10	R1/4	8.7	15	17.4	10	25.9	14
X6500 10-3/8	10	R3/8	8.7	15	17.4	10.8	25.9	14
X6500 12-1/4	12	R1/4	9.5	16	20	10	28.5	17
X6500 12-3/8	12	R3/8	9.5	16	20	12	28.5	17

Fittings Mod. X6520

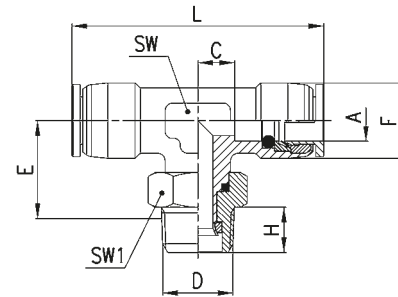
BSPT Swivel Male Elbow



DIMENSIONS									
Mod.	A	D	C	E	F	H	M	SW	SW1
X6520 4-1/8	4	R1/8	4.3	15.3	10	8	16.8	12	12
X6520 4-1/4	4	R1/4	4.3	15.8	10	10	16.8	12	15
X6520 6-1/8	6	R1/8	8.8	15.3	11.9	8	22.3	12	12
X6520 6-1/4	6	R1/4	5.8	19.8	13	10	19.3	14	15
X6520 8-1/8	8	R1/8	9.4	19.5	15	8	25.5	14	12
X6520 8-1/4	8	R1/4	9.4	19.8	15	10	25.5	14	15
X6520 10-1/4	10	R1/4	10.7	20.6	17.4	10	27.9	17	15
X6520 10-3/8	10	R3/8	10.7	20.9	17.4	11	27.9	17	19
X6520 12-1/4	12	R1/4	9.5	21.1	20	10	28.5	17	15
X6520 12-3/8	12	R3/8	9.5	20.9	20	11	28.5	17	19
X6520 12-1/2	12	R1/2	9.5	19.4	20	13	28.5	17	22

Fittings Mod. X6430

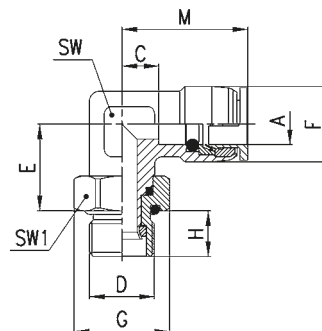
BSPT Swivel Male Tee



DIMENSIONS									
Mod.	A	D	C	E	F	H	L	SW	SW1
X6430 4-1/8	4	R1/8	4.3	15.3	10	8	33.6	12	12
X6430 4-1/4	4	R1/4	4.3	15.8	10	10	33.6	12	15
X6430 6-1/8	6	R1/8	8.8	16.1	11.9	8	44.6	12	12
X6430 6-1/4	6	R1/4	5.8	18.6	13	10	38.6	14	15
X6430 8-1/8	8	R1/8	8.3	17.3	15	8	48.8	14	12
X6430 8-1/4	8	R1/4	8.3	18.5	15	10	48.8	14	15
X6430 10-1/4	10	R1/4	10.7	21.1	17.4	10	55.8	17	15
X6430 10-3/8	10	R3/8	10.7	20.9	17.4	11	55.8	17	19
X6430 12-1/4	12	R1/4	9.5	21.1	20	10	57	17	15
X6430 12-3/8	12	R3/8	9.5	20.9	20	11	57	17	19
X6430 12-1/2	12	R1/2	15.6	19.4	20	13	57	17	22

Fittings Mod. X6522

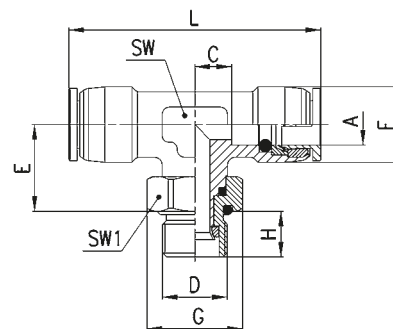
BSPP Swivel Male Elbow



DIMENSIONS										
Mod.	A	D	C	E	F	G	H	M	SW	SW1
X6522 4-1/8	4	G1/8	4.3	15.3	10	15	6.5	16.8	12	14
X6522 4-1/4	4	G1/4	4.3	15.7	10	18.5	9	16.8	12	17
X6522 6-1/8	6	G1/8	8.8	15.3	11.9	15	6.5	22.3	12	14
X6522 6-1/4	6	G1/4	5.8	18.7	13	18.5	9	19.3	14	17
X6522 8-1/8	8	G1/8	9.4	19.5	15	15	6.5	25.5	14	14
X6522 8-1/4	8	G1/4	9.4	18.7	15	18.5	9	25.5	14	17
X6522 10-1/4	10	G1/4	10.7	19.5	17.4	18.5	9	27.9	17	17
X6522 10-3/8	10	G3/8	10.7	20.4	17.4	24	9	27.9	17	22
X6522 12-1/4	12	G1/4	9.5	20	20	18.5	9	28.5	17	17
X6522 12-3/8	12	G3/8	9.5	20.4	20	24	9	28.5	17	22
X6522 12-1/2	12	G1/2	9.5	20.4	20	30	9.5	28.5	17	27

Fittings Mod. X6432

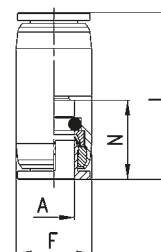
BSPP Swivel Male Tee



DIMENSIONS										
Mod.	A	D	C	E	F	G	H	L	SW	SW1
X6432 4-1/8	4	G1/8	4.3	15.3	10	15	6.5	33.6	12	14
X6432 4-1/4	4	G1/4	4.3	15.7	10	18.5	9	33.6	12	17
X6432 6-1/8	6	G1/8	8.8	16.1	11.9	15	6.5	44.6	12	14
X6432 6-1/4	6	G1/4	5.8	17.5	13	18.5	9	38.6	14	17
X6432 8-1/8	8	G1/8	8.3	17.3	15	15	6.5	48.8	14	14
X6432 8-1/4	8	G1/4	8.3	17.4	15	18.5	9	48.8	14	17
X6432 10-1/4	10	G1/4	10.7	20	17.4	18.5	9	55.8	17	17
X6432 10-3/8	10	G3/8	10.7	20.4	17.4	24	9	55.8	17	22
X6432 12-1/4	12	G1/4	9.5	20	20	18.5	9	57	17	17
X6432 12-3/8	12	G3/8	9.5	20.4	20	24	9	57	17	22
X6432 12-1/2	12	G1/2	9.5	20.4	20	30	9.5	57	17	27

Fittings Mod. X6580

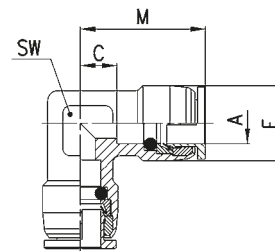
Metric Union Connector



DIMENSIONS				
Mod.	A	F	L	N
X6580 4	4	10	26.5	12.5
X6580 6	6	12	28.4	13.5
X6580 8	8	15	33.7	16.1
X6580 10	10	18	36.4	17.2
X6580 12	12	20	41	19

Fittings Mod. X6550

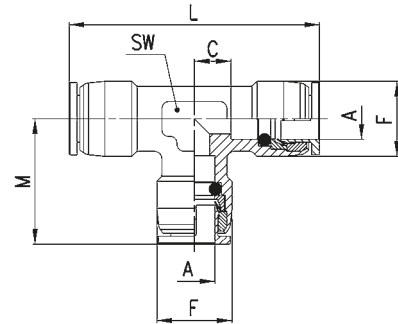
Elbow connector



DIMENSIONS					
Mod.	A	C	F	M	SW
X6550 4	4	7.8	11	20.3	12
X6550 6	6	8.8	11.9	22.3	12
X6550 8	8	8.4	15	24.5	12
X6550 10	10	8.7	17.4	25.9	14
X6550 12	12	9.5	20	28.5	17

Fittings Mod. X6540

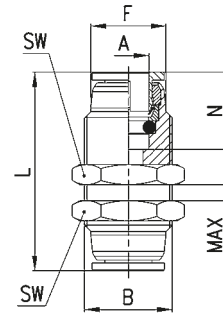
Tee Connector



DIMENSIONS						
Mod.	A	C	F	L	M	SW
X6540 4	4	8.8	11	42.6	21.3	12
X6540 6	6	8.8	11.9	44.6	22.3	12
X6540 8	8	8.4	15	49	24.5	12
X6540 10	10	8.7	17.4	51.8	25.9	14
X6540 12	12	9.5	20	57	28.5	17

Fittings Mod. X6590

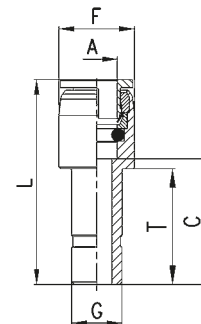
Bulkhead Connector



DIMENSIONS							
Mod.	A	B	F	L	N	MAX	SW
X6590 4	4	M11X1	9.7	29	12.5	6	14
X6590 6	6	M13X1	11.6	34	13.5	9	17
X6590 8	8	M16X1	14.7	37.2	16.1	9	19
X6590 10	10	M19X1	17.4	43.4	17.2	11	22
X6590 12	12	M22X1	20	50	19	15	27

Fittings Mod. X6800

Reducer Junction



DIMENSIONS						
Mod.	A	C	F	G	L	T
X6800 4-6	4	16.8	10	6	29.3	15.3
X6800 4-8	4	19.8	10	8	32.3	17.8
X6800 6-8	6	19.8	12	8	33.5	17.8
X6800 6-10	6	22.6	12	10	36	21.6
X6800 6-12	6	23	12	12	36.5	-
X6800 8-10	8	22.5	15	10	38.6	20
X6800 8-12	8	24.5	15	12	40.6	23
X6800 10-12	10	26	18	12	43.2	23