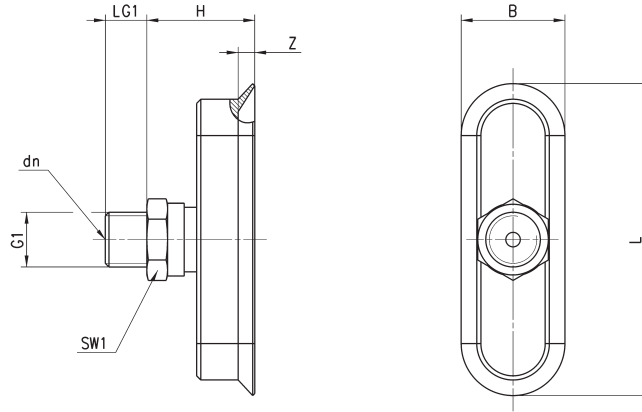


**Series VTOF suction pad - male thread**



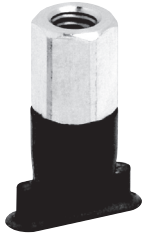
\* = N for suction pad in NBR - S for suction pad in Silicone (add the required letter when placing an order)

Tolerances on dimensions for elastomer parts according to M3 - DIN 7715



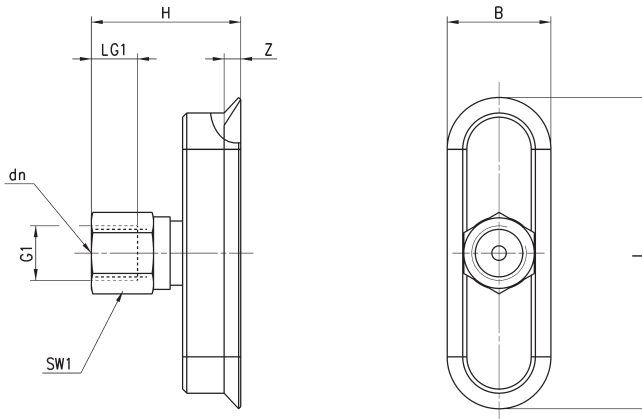
| DIMENSIONS              |     |     |        |    |    |     |     |     |                |             |  |
|-------------------------|-----|-----|--------|----|----|-----|-----|-----|----------------|-------------|--|
| Suction pad with nipple | B   | dn  | G1     | H  | L  | LG1 | SW1 | Z   | Suction pad    | Nipple      |  |
| VTOF-0070-035*-M3M      | 3,5 | 1   | M3M    | 8  | 7  | 3   | 5   | 08  | VTOF-0070-035* | NPV-A-M3-M  |  |
| VTOF-0150-050*-M5M      | 5   | 2   | M5M    | 17 | 15 | 5   | 8   | 07  | VTOF-0150-050* | NPV-C-M5-M  |  |
| VTOF-0180-060*-M5M      | 6   | 2   | M5M    | 17 | 18 | 5   | 8   | 08  | VTOF-0180-060* | NPV-C-M5-M  |  |
| VTOF-0300-100*-1/8M     | 10  | 3,5 | G1/8 M | 17 | 30 | 8   | 14  | 1,5 | VTOF-0300-100* | NPV-P-1/8-M |  |
| VTOF-0450-150*-1/4M     | 15  | 3,5 | G1/4 M | 26 | 45 | 10  | 17  | 2   | VTOF-0450-150* | NPV-Q-1/4-M |  |
| VTOF-0600-200*-1/4M     | 20  | 3,5 | G1/4 M | 26 | 60 | 10  | 17  | 2,5 | VTOF-0600-200* | NPV-Q-1/4-M |  |

**Series VTOF suction pad - female thread**



\* = N for suction pad in NBR - S for suction pad in Silicone (add the required letter when placing an order)

Tolerances on dimensions for elastomer parts according to M3 - DIN 7715



| DIMENSIONS              |    |     |        |    |    |     |     |     |                |             |  |
|-------------------------|----|-----|--------|----|----|-----|-----|-----|----------------|-------------|--|
| Suction pad with nipple | B  | dm  | G1     | H  | L  | LG1 | SW1 | Z   | Suction pad    | Nipple      |  |
| VTOF-0150-050*-M5F      | 5  | 2   | M5 F   | 22 | 15 | 5,5 | 8   | 0,7 | VTOF-0150-050* | NPV-C-M5-F  |  |
| VTOF-0180-060*-M5F      | 6  | 2   | M5 F   | 22 | 18 | 5,5 | 8   | 0,8 | VTOF-0180-060* | NPV-C-M5-F  |  |
| VTOF-0300-100*-1/8F     | 10 | 3,5 | G1/8 F | 25 | 30 | 9   | 14  | 1,5 | VTOF-0300-100* | NPV-P-1/8-F |  |
| VTOF-0450-150*-1/4F     | 15 | 3,5 | G1/4 F | 36 | 45 | 12  | 17  | 2   | VTOF-0450-150* | NPV-Q-1/4-F |  |
| VTOF-0600-200*-1/4F     | 20 | 3,5 | G1/4 F | 36 | 60 | 12  | 17  | 2,5 | VTOF-0600-200* | NPV-Q-1/4-F |  |