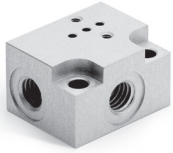
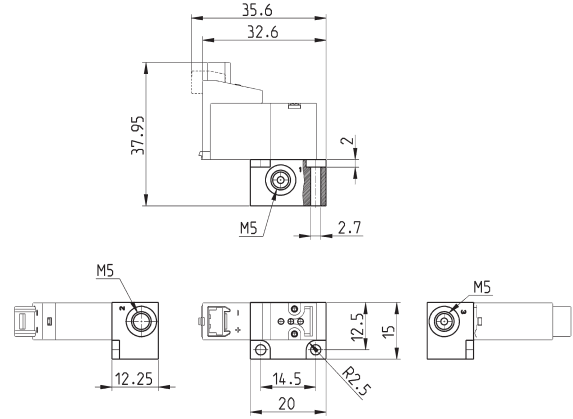


### Single sub-base



Note: use solenoid valves with mounting screws on metal interfaces (see codification).



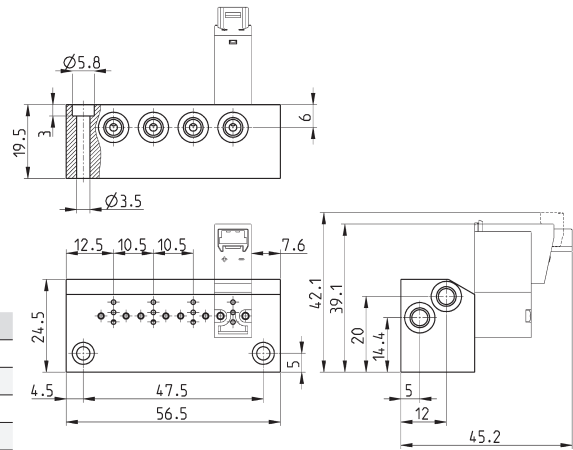
Mod.	
K001-02	

### Manifold Mod. K1\*\*-02



\*\* Number of positions  
With side outlets and conveyed inlet and exhaust.

Note: use solenoid valves with mounting screws on metal interfaces (see codification).

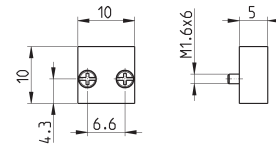


Mod.	A	B	Number of ports
K102-02	35.5	26.5	2
K103-02	46	37	3
K104-02	56.5	47.5	4
K105-02	67	58	5
K106-02	77.5	68.5	6
K107-02	88	79	7
K108-02	98.5	89.5	8
K109-02	109	100	9
K110-02	119.5	110.5	10

### Excluder tap



Supplied with:  
1x excluder tap  
1x interface seal  
2x screws M1.6x6 UNI 7687 (mounting on metal)



Mod.	
K000-TP	