

Series VEM compact ejectors

Miniaturized vacuum generators with integrated valves and monitoring system. Possibility to command suction and blow-off individually without using external valves.



- » Extremely compact with further reduced weight.
- » Modularity for easy installation.
- » Easy monitoring of the vacuum level through integrated vacuum switch.

One of the most important features of Series VEM compact ejector is the extreme compactness. This compactness and low weight makes them suitable for "dynamic" applications such as robots, when assembled directly on the part in motion (gripper head etc.)

The Compact ejector Series VEM have integrated suction-and blow off individually without using external valves. With these it is therefore possible to command suction and blow-off individually without using external valves. The compact ejectors Series VEM are often used in completely automatic handling systems.

GENERAL DATA

- Description** - body in anodized Aluminium
 - valve function for the suction available in normally open (NO) or normally closed (NC) version
 - blow-off valve (NC), integrated silencer and filter
- Options** possibility of mounting fitting plate

CODING EXAMPLE

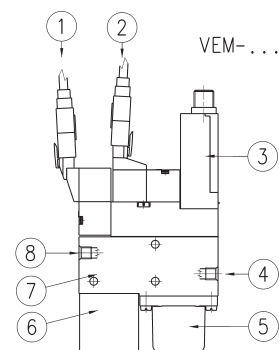
VE	M	-	05	C	2	-	VE
VE	SERIES VE = Vacuum ejector						
M	VERSION M = compact, mini						
05	NOZZLE DIAMETER 05 = 0,5 mm 07 = 0,7 mm 10 = 1,0 mm						
C	VALVE FUNCTION C = NC (suction OFF when not activated) A = NO (suction ON when not activated)						
2	VERSION 2 = with Blow-off valve						
VE	VALVE TYPE VE = without air saving system, with electronic vacuum switch						

TECHNICAL DATA



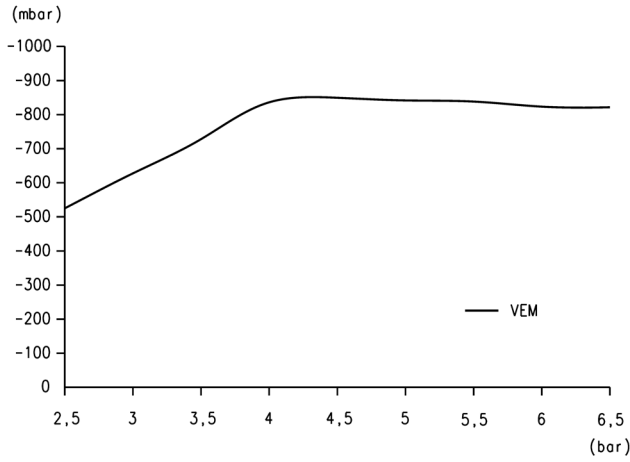
EJECTOR SYSTEM:

- 1 = Suction valve
- 2 = Blow-off valve
- 3 = Vacuum switch
- 4 = Vacuum inlet
- 5 = Filter
- 6 = Silencer
- 7 = Body
- 8 = Compressed air inlet

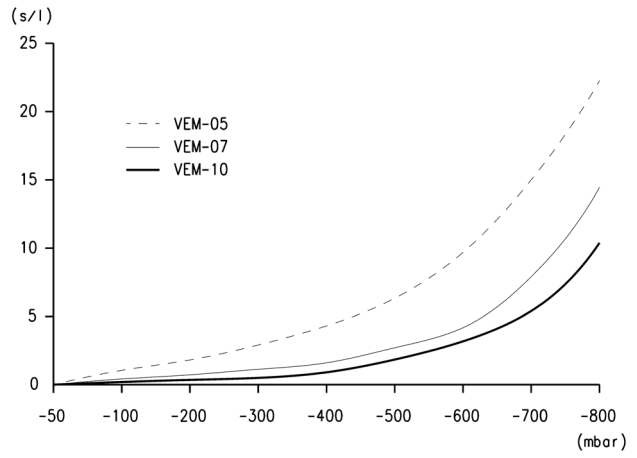


TECHNICAL DATA												
Mod.	Ø nozzle (mm)	Degree of evacuation (%)	Max. Suction rate (l/min)	Max. Suction rate (m³/h)	Air consumption (l/min)	Air cons. during evac. (m³/h)	Air cons. during evac. (l/min)	Noise level workp. gripped [db(A)]	Noise level free [db(A)]	Optimum operating pressure (bar)	Weight (kg)	Temperature range
VEM-05	0,5	85	6	0,4	13	0,8	26	62	62	4,5	0,08	0 / 45°C
VEM-07	0,7	85	12	0,7	21	1,3	26	67	70	4,5	0,08	0 / 45°C
VEM-10	1	85	23	1,4	46	2,8	26	73	76	4,5	0,08	0 / 45°C

DIAGRAMS VEM

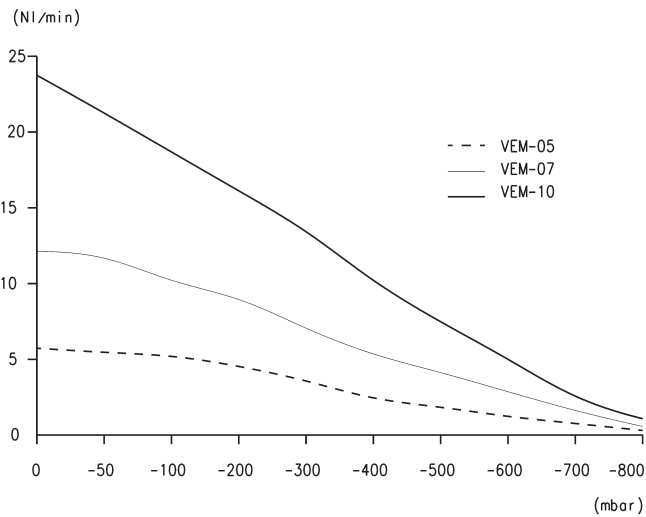


Achievable vacuum at different operating pressures

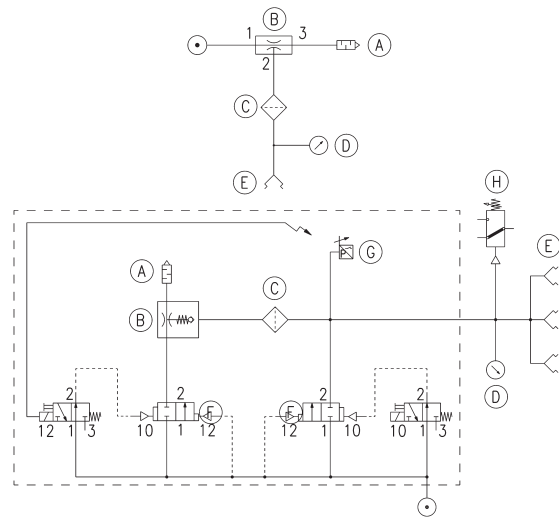


Evacuation time for different vacuum values

DIAGRAMS VEM and EXAMPLES OF PNEUMATIC SCHEME

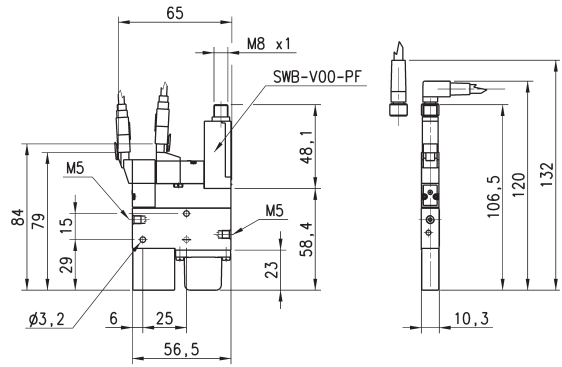


Suction rate for different vacuum values



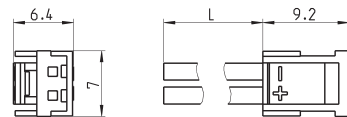
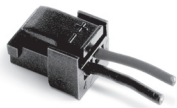
- A = Silencer
- B = Ejector
- C = Vacuum filter
- D = Vacuum gauge
- E = Suction pad
- F = 2/2 valve
- G = Adjustable vacuum switch internal signal
- H = Adjustable vacuum switch external signal

Series VEM compact ejectors



Mod.
VEM-05C2-VE
VEM-05A2-VE
VEM-07C2-VE
VEM-07A2-VE
VEM-10C2-VE
VEM-10A2-VE

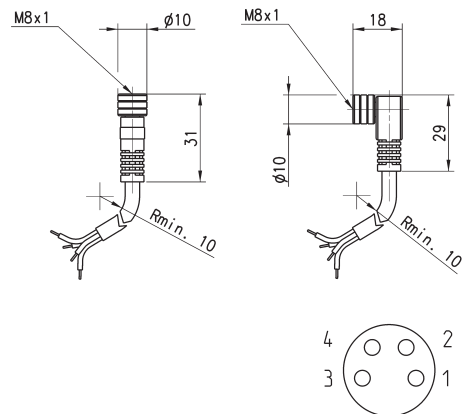
Connector Mod. 121-8..



Mod.	description	colour	L = cable length (mm)	cable holding
121-803	crimped cable	black	300	crimping
121-806	crimped cable	black	600	crimping
121-810	crimped cable	black	1000	crimping
121-830	crimped cable	black	3000	crimping

Circular M8 4-pole connectors, Female

Protection class: IP65
Materials: PU non shielded cable



Mod.	Type of connector	Cable length (m)
CS-DF04EG-E200	straight	2
CS-DF04EG-E500	straight	5
CS-DR04EG-E200	90°	2
CS-DR04EG-E500	90°	5