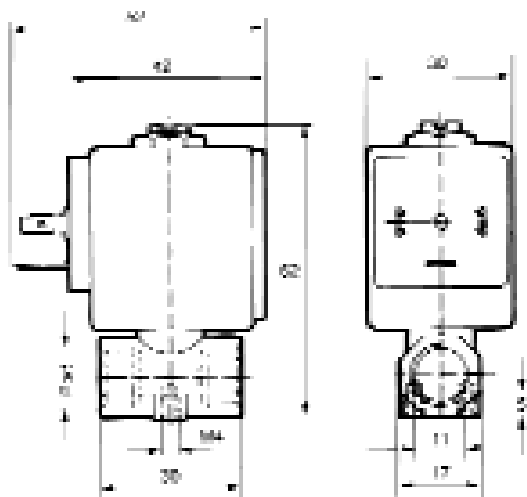
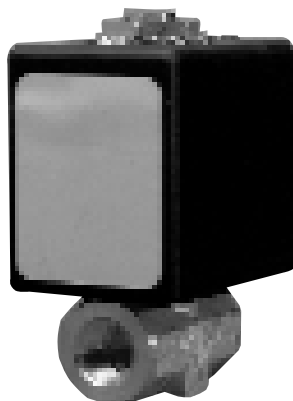


# Solenoid Valves - Direct Acting

Connections: 1/8, 1/4

Operation: Direct Acting 2/2 NC



Connection Sizes	A	B	C	D	E	F	G
1/8 - 1/4	17	62	30	30	42	52	5

### Technical Data

#### Type of Construction

Direct - Acting  
Normally closed only

#### Line Media

Non-aggressive liquids and gases, ie air, oil, water

#### Operating Pressure

See table

#### Operating Temperature

Ambient: -10°C to +55°C  
Fluid: -10°C to +140°C

#### Threads

BSPP GAS Parallel ISO 228/1

#### Materials

Body: Brass  
Other Parts: Stainless steel  
Seals: Viton

#### Mounting

M4 mounting holes in body

#### Standard Voltages

12V DC 24V DC  
24V AC 110V AC 230V AC (50Hz)

#### Protection Rating

IP65 with connector  
- see pages 002/032-035

#### Power Consumption

DC: 8W  
AC: Working 14 VA In rush 25 VA

#### Options

Different voltages  
Bi-stable coils

#### Special Requests

For assistance, contact our technical office or your local Camozzi distributor.

### 2/2 Direct - Acting Solenoid Valves

	Size	Orifice ø mm	Pressure Range (bar)	
			AC	DC
21T1BV28-F	1/8	2.8	0 - 12	0 - 6
21T2BV22-F	1/4	2.2	0 - 20	0 - 10
21T2BV28-F	1/4	2.8	0 - 12	0 - 6
21T2BV40-F	1/4	4.0	0 - 6	0 - 2

\*Please specify coil voltage required when ordering.  
Price excludes coil - please order separately (see below).

### 8 Watt Coils

	Voltage
BDA08012CS	12V DC
BDA08024CS	24V DC
BDS08024AS	24V AC
BDS08110AS	110V AC
BDS08223DS	230V AC



### For Standard Connectors

See pages 2.00/032 and 033