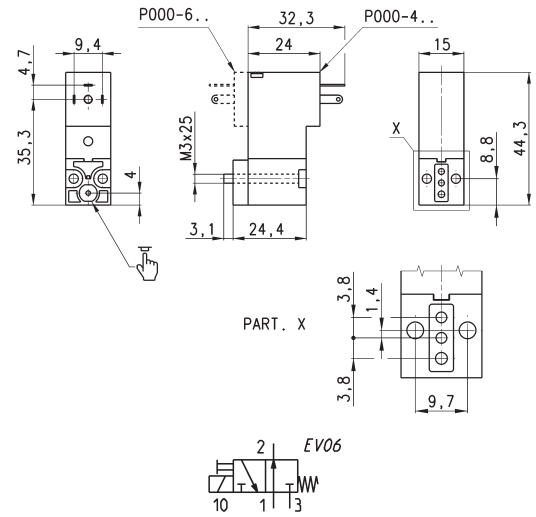


3/2-way NO solenoid valve

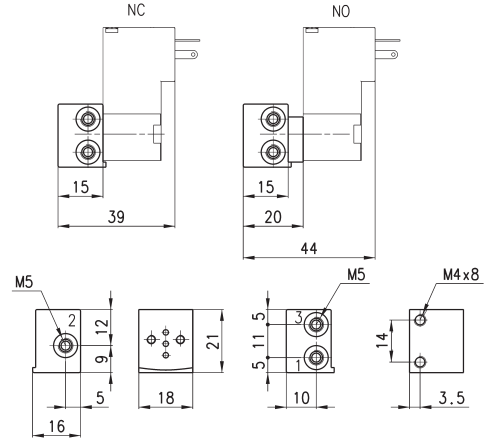


Supplied with:
1x interface for NO version
(connections 1 and 3 are inverted)
2x interface seals
2x screws M3x25 UNI 8112 (for standard version)



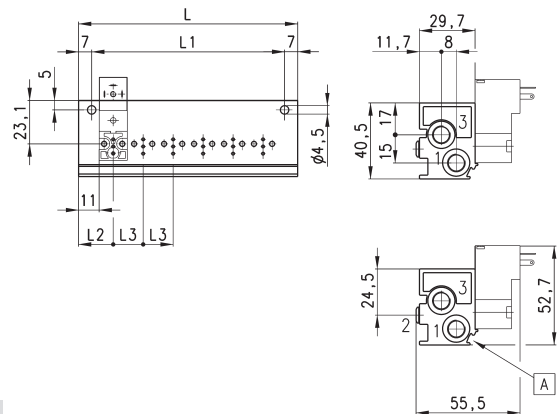
Mod.	Orifice Ø (mm)	kv (l/min)	Qn (NL/min)	Pressure min-max (bar)
P000-405-P53	0.9	0.23	15	0 ÷ 10
P000-403-P53	1.5	0.54	-	0 ÷ 5

Single sub-base



Mod.
P001-02

Single manifold with rear outlets



DIMENSIONS							
Mod.	N° Valves	L	L1	L2	L3	1 (P)	3 (R)
P102-0*	2	53	39	18,5	16	G1/8	G1/8
P103-0*	3	69	55	18,5	16	G1/8	G1/8
P104-0*	4	85	71	18,5	16	G1/8	G1/8
P105-0*	5	101	87	18,5	16	G1/8	G1/8
P106-0*	6	117	103	18,5	16	G1/8	G1/8

* = see the type of PORTS in the CODING EXAMPLE TABLE.

A = groove for electric connection identification