

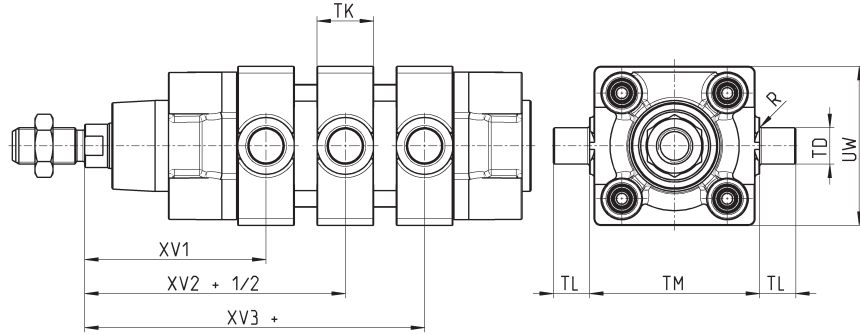
**Centre trunnion Mod. F for round tube cylinders**



Material: zinc-plated steel

Supplied with:  
1x intermediate trunnion  
8x locking screws

+ = add the stroke



DIMENSIONS										
Mod.	∅	XV1	XV2	XV3	TM (h14)	TK	TD (e9)	TL	UW	R
F-32	32	62	73	84	50	20	12	12	50	0.5
F-40	40	69	82,5	96	63	20	16	16	60	1
F-50	50	79	90	101	75	25	16	16	70	1
F-63	63	86	97,5	109	90	25	20	20	85	1
F-80	80	97	110	123	110	30	20	20	105	1
F-100	100	104,5	120	135,5	132	30	25	25	125	1.5
F-125	125	123	145	167	160	30	25	25	155	1.5

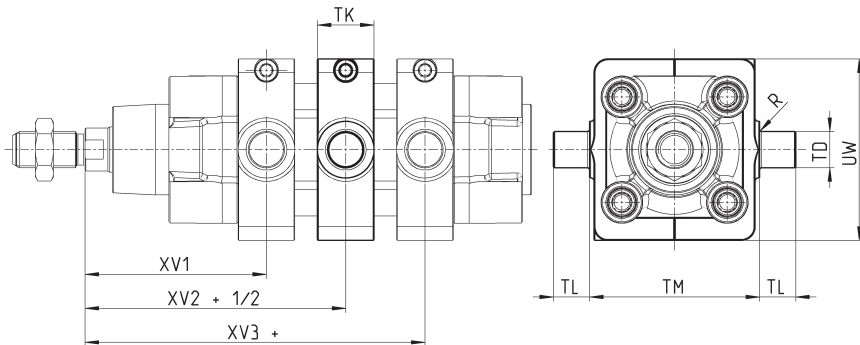
**Centre trunnion Mod. F for profile cylinders**



Material: zinc-plated steel

Supplied with:  
1x centre trunnion  
8x locking screws  
2x fixing screws

+ = add the stroke



DIMENSIONS										
Mod.	∅	XV1	XV2	XV3	TM	TK	TD	TL	UW	R
F-63-32	32	63	73	83	50	20	12	12	62	0.5
F-63-40	40	70	82.5	95	61	20	16	16	70	1
F-63-50	50	80	90	100	71	25	16	16	91	1
F-63-63	63	87	97.5	108	84	25	20	20	90	1
F-63-80	80	98	110	122	106	30	20	20	115	1
F-63-100	100	105.5	120	134.5	128	30	25	25	135	1.5
F-63-125	125	124	145	166	156	30	25	25	162	1.5