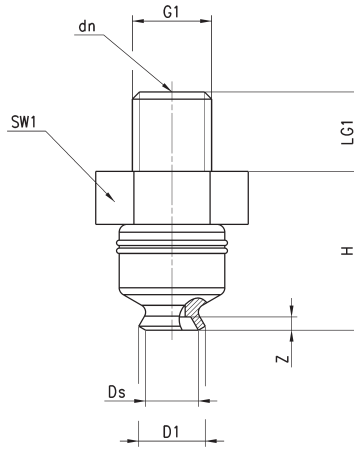


Suction pad VTCF-0035 - male thread



* = N for suction pad in NBR - S for suction pad in Silicone (add the required letter when placing an order)



Tolerances for elastomer parts according to M3 - DIN 7715

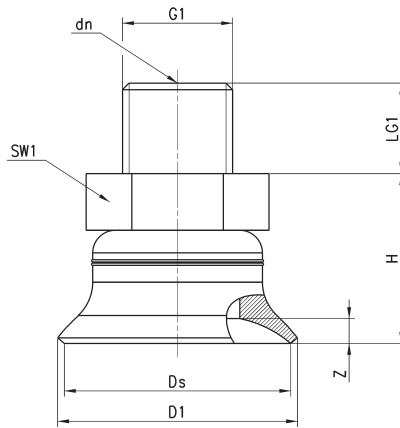


DIMENSIONS										
Suction pad with nipple	D1	dn	Ds	G1	H	LG1	SW1	Z	Suction pad	Nipple
VTCF-0035*-M3M	3,9	1	3,5	M3 M	6	3	5	0,5	VTCF-0035*	NPV-A-M3-M

Suction pad VTCF-0050 to 0500 - male thread



* = N for suction pad in NBR - S for suction pad in Silicone (add the required letter when placing an order)



Tolerances for elastomer parts according to M3 - DIN 7715



DIMENSIONS										
Suction pad with nipple	D1	dn	Ds	G1	H	LG1	SW1	Z	Suction pad	Nipple
VTCF-0050*-M5M	5,4	2	5	M5 M	11,5	4,5	8	0,9	VTCF-0050*	NPV-B-M5-M
VTCF-0080*-M5M	8,5	2	8	M5 M	12	4,5	8	1,4	VTCF-0080*	NPV-B-M5-M
VTCF-0100*-M5M	10,7	2	10	M5 M	12,5	4,5	8	1,3	VTCF-0100*	NPV-B-M5-M
VTCF-0150*-1/8M	15,8	2	15	G1/8 M	13	8	14	1,9	VTCF-0150*	NPV-G-1/8-M
VTCF-0200*-1/8M	21,2	2,4	20	G1/8 M	15	8	14	2,3	VTCF-0200*	NPV-H-1/8-M
VTCF-0250*-1/8M	25,8	2,4	25	G1/8 M	19	8	14	3	VTCF-0250*	NPV-L-1/8-M
VTCF-0300*-1/8M	29,6	2,4	28,5	G1/8 M	17	8	14	2	VTCF-0300*	NPV-L-1/8-M
VTCF-0350*-1/8M	35,6	2,4	35	G1/8 M	19	8	14	3	VTCF-0350*	NPV-L-1/8-M
VTCF-0400*-1/8M	41,6	2,4	40	G1/8 M	19	8	14	3,5	VTCF-0400*	NPV-L-1/8-M
VTCF-0500*-1/8M	51,1	2,4	50	G1/8 M	20	8	14	4	VTCF-0500*	NPV-M-1/8-M