

# Series CSN proximity switches

## Reed switch



The electrical proximity switch Mod. CSN 2032-0 consists of a Reed switch complete with an electronic protection circuit and a red LED indicator. The resin inside the casing ensures high protection and insulation.

It is designed so that it can be fixed directly on the tie-rod by means of two screws which assure the position longitudinal to the cylinder axle; and with a third screw for the anti-rotation positioning. The three terminals are indicated by the numbers 1, 2 and 3 and enable the following connections to be made (see the scheme).

### GENERAL DATA

Mod.	CSN 2032-0
Voltage	from 12 to 220V AC and DC
Protection	IP54 / IP65 with connector DIN 43650
Material	glass-reinforced PA
Mounting	bracket for tie rod $\varnothing 6 \div \varnothing 10$
Signalling	integrated red LED
Electrical connection	DIN 43650 connector, Mod. 122-800
Max. current	1.5 A
Max. load	20 W DC - 30 VA AC
Actuating time	$\leq 2$ ms
Actuating tolerance	$\pm 1$ mm
Operating temperature	$-25^{\circ}\text{C} \div +75^{\circ}\text{C}$
Type of contact	NO (normally open)

**TECHNICAL DATA**

**CONNECTION**

- For inductive loads = solenoid valves, electrical magnets, relay.
- To connectors = terminals 1 - 2
- For capacitive loads = circuit with remaining tension (see PLC controls)
- To connectors = 1 - 3

Note: For connections with wires of approximately 10m, the connection shall be made as for a capacitive load.

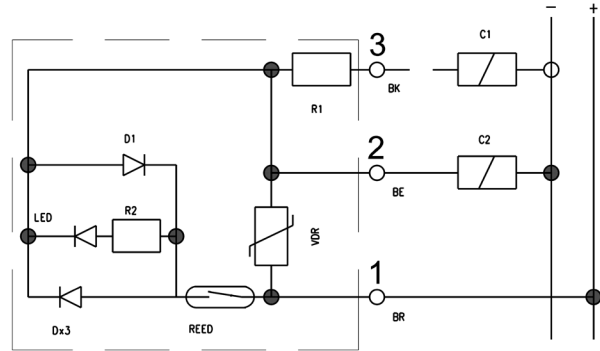
**MAXIMUM LOADS**

For maximum loads see relative diagram, those loads are valid only for inductive loads. For capacitive loads, using clamp 3 (or black wire) load must not exceed 80 mA and load must be given by PLC or, for electrical circuits, by microrelay or micro solenoid valves with 2W maximum consumption.

Note: When operating with direct current, clamp 1 must always be connected to the positive outlet (+). In cases where commands are given from the PLC and logic NPN, clamp 1 must be connected to the inlet. In cases where commands are given from the PLC and logic PNP, clamps 2 or 3 must be connected to the inlet.

**LEGEND:**

- C1 = capacitive load
- C2 = inductive load



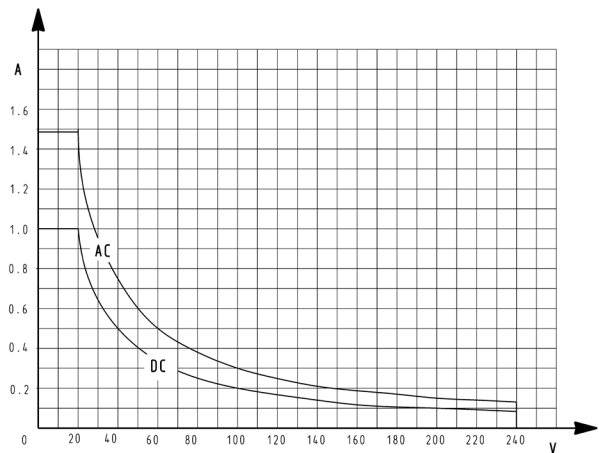
**Maximum contact load**

The maximum load (W) which the contacts are able to tolerate is that indicated in the section "General data", i.e.

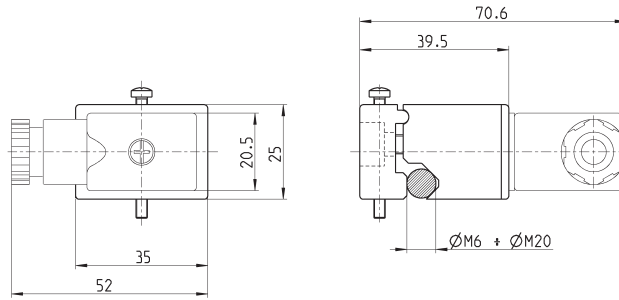
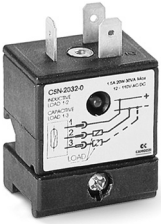
- 20 W for direct current ( DC )
- 30 VA for alternating current ( AC )

The effective load allowed depends on the operating voltage (minimum 12 V, maximum 220 V) as shown in the following graph.

Note: this graph was obtained from practical tests performed using a load consisting of our Series A and 6 solenoid valves, at an operating speed of one stroke per second. For higher operating speeds, you are advised to contact our technical department.

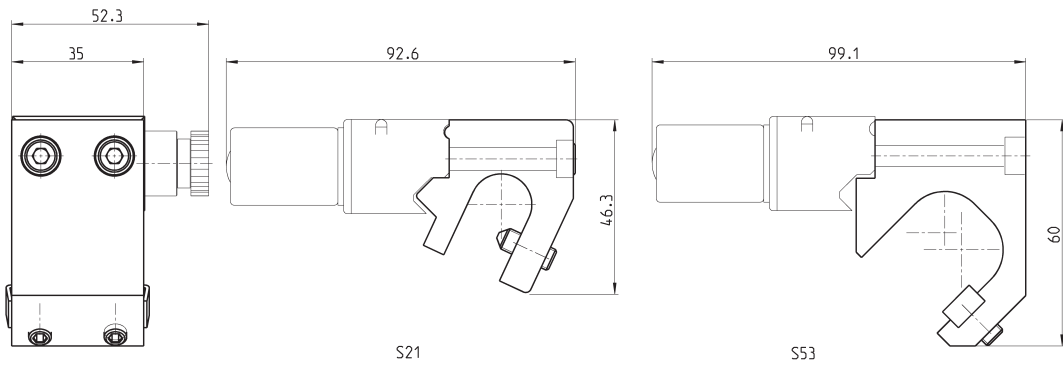


## Switches Series CSN



Mod.	for cylinders Series 40 - $\varnothing$ 160 $\pm$ 200	for cylinders Series 40 - $\varnothing$ 250 $\pm$ 320	for cylinders Series 41 - $\varnothing$ 160 $\pm$ 200
CSN 2032-0	mounting band to be ordered separately	direct mounting	mounting band to be ordered separately

## Mounting bracket for sensor



Mod.	
S21	for cylinders Series 40 $\varnothing$ 160 and 200
S53	for cylinders Series 41 $\varnothing$ 160 and 200