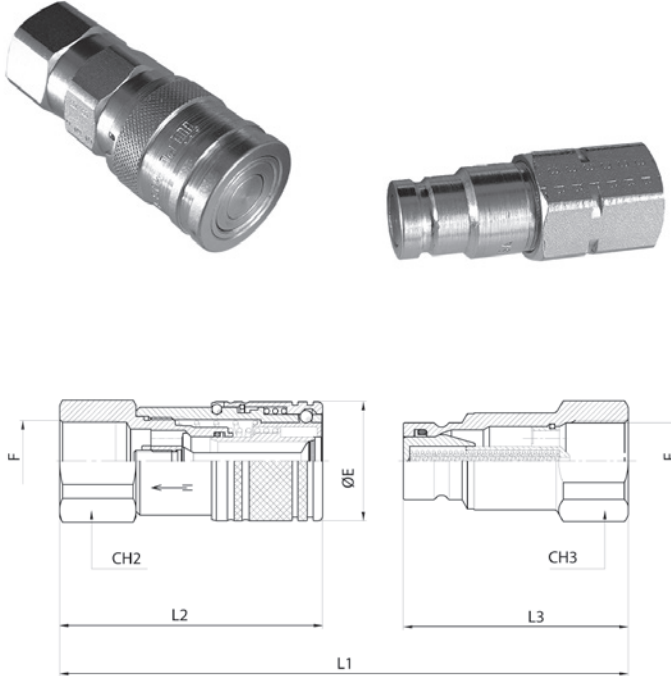


CAM FF (F/M) Range - Flat Face Couplings

ISO 16028

HYDRAULIC COUPLINGS



Technical Data

Characteristics

Flat mating surfaces easily wiped clean to prevent contamination and spillage during connection/disconnection. Connection is made by pushing the male coupling and disconnection by pulling back the sleeve of the female. Positive, quick connection of the male into the female by the latching ball system. Shut-off by flat valve.

Threads

BSP

Materials

See page 317

Operating Temperature

-30°C up to +110°C

Special Requests

For assistance, contact our technical office or your local Camozzi distributor.



See 318 for Dust Caps

- ✓ Ex Stock
- ✂ UK Assembly
- Ⓞ Please Call Sales Office

Nominal Size		Max Working Pressure (bar)	Rated Flow (l/min)	Min. Burst Pressure			Fluid Spillage (CC)
ISO	mm			Male (bar)	Female (bar)	Coupled (bar)	
6.3	04	350	15	1600	1400	1500	0.005
10	06	350	53	1400	1250	1450	0.007
12.5	08	350	98	1350	1150	1450	0.008
16	10	350	109	1500	1000	1400	0.008
19	12	350	174	1100	1020	1450	0.009

F	ISO	CH2	CH3	ØE	L1	L2	L3	Carrier Half Part Number	Probe Half Part Number
1/4"	6.3	24	22	28	104.6	63.6	52.1	CAM FFF 0404	CAM FFM 0404
3/8"	10	27	27	32	121.5	74.9	62.5	CAM FFF 0606	CAM FFM 0606
1/2"	10	27	27	32	127.5	77.9	65.5	CAM FFF 0608	CAM FFM 0608
3/4"	12.5	34	34	38	144.1	86.7	74.5	CAM FFF 0812	CAM FFM 0812
1"	20	41	41	48	178.7	108.9	91.5	CAM FFF 1216	CAM FFM 1216