

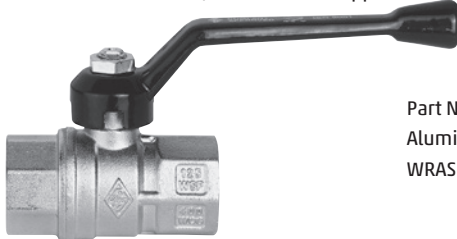
Brass Ball Valves - Gas/WRAS Approved

Connections: 1/4, 3/8, 1/2, 3/4, 1, 1 1/4, 1 1/2, 2, 2 1/2, 3, 4

Our range of Brass Ball Valves offering a cost saving solution suitable for many applications.

Part Number: 1600*

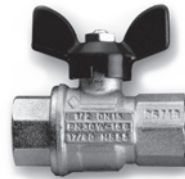
Aluminium Handle - Female/Female. WRAS Approved



Part Number: 1620* (1/4 - 1 only)

Aluminium Butterfly Handle - Female/Female.

WRAS Approved



Part Number: 1610*

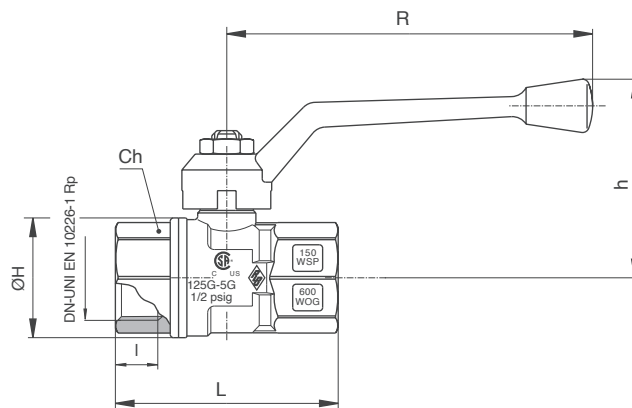
Steel with Black Plastic Coated Handle - Female/Female.

WRAS Approved

Part Number: 6273*

Steel with Yellow Plastic Coated Handle - Female/Female

Gas approved to BSEN331 1998



Technical Data

Media

Most non-corrosive liquids and gases including air, water, solvents and fuels.

6273 range gas approved to BSEN331 1998 (MOP 5 Bar -20 to +60°C)

Operating Pressure

Nominal working pressure (PN) in bar. (see chart)

Operating Temperature

-20°C to +160°C

Flow Rates

Flow rates stated in Kv: Flow coefficient in m³/h at differential pressure of 100kPa

Threads

Female-Female UNI ISO 7/1

Materials

Body: Nickel plated brass

Ball: Chromed brass

Seals: PTFE

Stem Seals: NBR

Lever Handle: Steel black enamelled

'T' Handle: Aluminium black enamelled

Actuation

90° rotation of the lever.

We recommend that the valve is used in either the fully open or fully closed position. In addition, the valve should be actuated at least twice a year

Additional Options

Female/Female NPT

Male/Female Threads



Locking Handle

Extension Stem



Special Requests

For assistance, contact our technical office or your local Camozzi distributor.

✓ Ex Stock

✎ UK Assembly

☎ Please Call Sales Office

Dimensions (mm) and Pressures

		DN	l	Ch	ØH	L	h	R	Kv	PN
*1/4	✓	8	11	20	23	51.5	47.5	95	5.4	64
*3/8	✓	10	11.4	20	23	51.5	47.5	95	6	64
*1/2	✓	15	15	25	30	59	48.5	95	16.3	30
*3/4	✓	20	16.3	31	36	67	59.5	110	29.5	30
*1	✓	25	19.1	38	43.5	81.5	62	110	43	30
*1 1/4	✓	32	21.4	48	53	94	76	160	89	25
*1 1/2	✓	40	21.4	54	65	102.5	81.5	160	230	25
*2	✓	50	25.7	67	80	123	99.5	170	265	25
*2 1/2	✓	65	30.2	90	111	152	129	205	540	25
*3	✓	80	33.3	105	136	177	140	205	873	25
*4	✓	100	39.3	130	166	214	160	260	1390	25