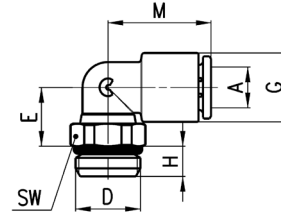


Fittings Mod. 7522

Metric-BSP Male Swivel Elbow

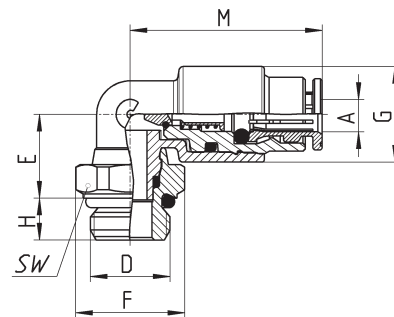
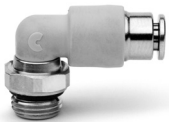


DIMENSIONS								
Mod.	A	D	E	G	H	M	SW	Weight (g)
7522 4-M5	4	M5	8.5	9.4	3.5	17	9	4
7522 4-M7	4	M7	11	9.4	5	17	10	6
7522 4-1/8	4	G1/8	9	9.4	5	17	12	7
7522 4-1/4	4	G1/4	9	9.4	6	17	14	10
7522 6-M5	6	M5	9.5	11.6	3.5	18.5	9	5
7522 6-M7	6	M7	12	11.6	5	18.5	10	7
7522 6-1/8	6	G1/8	10	11.6	5	18.5	12	8
7522 6-1/4	6	G1/4	10	11.6	6	18.5	14	11
7522 8-1/8	8	G1/8	13.5	13.9	5	20.5	12	11
7522 8-1/4	8	G1/4	12	13.9	6	20.5	14	13
7522 8-3/8	8	G3/8	12.5	13.9	7	20.5	19	21
7522 10-1/4	10	G1/4	14.5	16.1	6	24	14	15
7522 10-3/8	10	G3/8	13.5	16.1	7	24	19	21
7522 10-1/2	10	G1/2	13.5	16.1	8	24	24	30
7522 12-1/4	12	G1/4	16	20.2	6	28	17	20
7522 12-3/8	12	G3/8	15	20.2	7	28	19	25
7522 12-1/2	12	G1/2	15.5	20.2	8	28	24	34
7522 16-1/2	16	G1/2	30	27	8	33.5	24	61
7522 16-3/4	16	G3/4	24	27	9	33.5	30	70

Fittings Mod. 7522...LF

Metric-BSP Male Swivel Elbow with self-retaining device

This version interrupts the air flow when the tube is disconnected and restores it when reconnected.



Mod.	A	D	E	F	G	H	M	SW	weight (g)
7522 4-1/8-LF	4	G1/8	10	13	1.6	5	23	12	11
7522 6-1/8-LF	6	G1/8	13.5	13	13.9	5	37.5	12	23