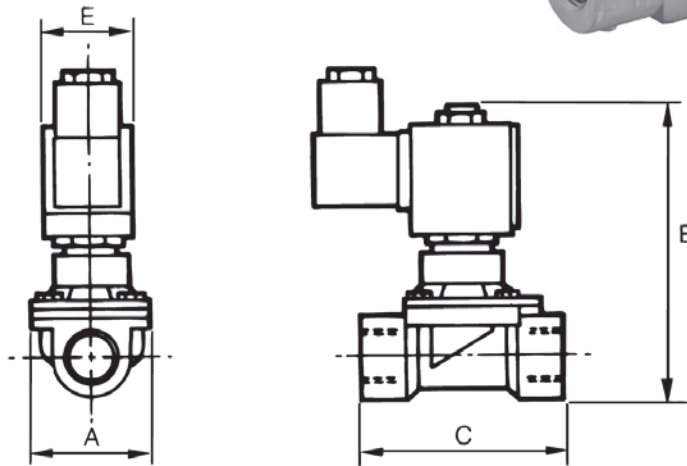


# Solenoid Valves - Servo Assisted

Connections: 3/8, 1/2, 3/4

Operations: Servo assisted 2/2 NC



**Technical Data**

**Type of Construction**

Servo - Assisted  
Normally closed only

**Line Media**

Non-aggressive liquids and gases, ie air, oil, water

**Operating Pressure**

See table

**Operating Temperature**

Ambient: -10°C to +55°C  
Fluid: -10°C to +140°C

**Threads**

BSPP GAS Parallel ISO 228/1

**Materials**

Body: Brass  
Other Parts: Stainless steel  
Seals: Viton

**Mounting**

Body can be drilled for mounting

**Standard Voltages**

12VDC 24VDC  
24VAC 110VAC 230VAC (50Hz)

**Protection Rating**

IP65 with connector  
- see pages 134-137

**Power Consumption**

DC: 8W  
AC: Working 14 VA In rush 25 VA  
DC:12W  
AC: Working 25 VA In rush 35 VA

**Options**

Different voltages  
Bi-stable coils  
Different seals

**Special Requests**

For assistance, contact our technical office or your local Camozzi distributor.

- ✓ Ex Stock
- ✎ UK Assembly
- ☎ Please Call Sales Office

2/2 Servo - Assisted Solenoid Valves		Dimensions					Pressure Range (bar)	
		Size	A	B	C	E	AC	DC
21H7KV120	✓	3/8	40	92	50	30	0.1 - 20	0.1 - 10
21H8KV120	✓	1/2	40	92	50	30	0.1 - 20	0.1 - 10
21H9KV180	✓	3/4	50	96	35	30	0.1 - 16	0.1 - 16 (12 watt coil only)

Please specify coil voltage required when ordering.  
Price excludes coil - please order separately (see below).

8 and 12 Watt Coils			
		Voltage	Watt
BDA08012CS	✓	12V DC	8W
BDA08024CS	✓	24V DC	8W
BDA08024DS	✓	24V AC	8W
BDA08110DS	✓	110V AC	8W
BDA08223DS	✓	230V AC	8W
UDA12012CS	✓	12V DC	12W
UDA12024CS	✓	24V DC	12W
UDA12024AS	✓	24V AC	12W
UDA12110DS	✓	110V AC	12W
UDA12230AS	✓	230V AC	12W



**For Standard Connectors**

See pages 134-135