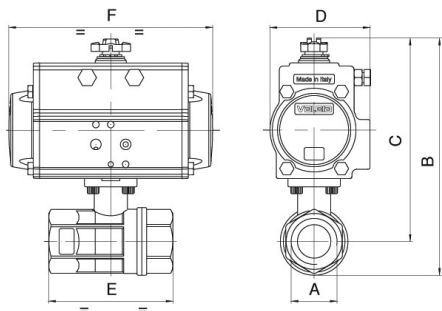


Pneumatically Actuated Two-Way Brass Ball Valves

Full bore 2-way brass ball valve, (type 2500 page 290), with direct mount pneumatic actuator.
Not suitable for use with solvents.

Part Number: 8P007900* - Double Acting
8P008100* - Single Acting



Technical Data

Operating Conditions

Fluid water at +20°C

Media

Most non-corrosive liquids and gases including air, water, solvents, fuels and propane

Operating Pressure

Nominal working pressure (PN) in bar - see chart

Operating Temperature

-20°C to + 160°C

Flow Rates

Flow rates stated in 2500 data sheet

Threads

DN - UNI EN 10226-1 Rp

Threads

DN - UNI EN 10226-1 Rp

Materials

Body: Brass, nickel plated
Ball: Brass, chrome plated
Seals: PTFE with Viton 'O' Ring

Additional Options

Valve with NPTF thread.
Limit switch boxes for open/closed position indication.
Actuation fitting conditions.
Fluid H₂O +20°C Actuation 6 bar.

Special Requests

For assistance, contact our technical office or your local Camozzi distributor.



NAMUR solenoid valves



Limit switch box

- ✓ Ex Stock
- 🔧 UK Assembly
- ☎ Please Call Sales Office

Valve Mounted on Double Acting Actuator. Types 8P007900

Dimensions (mm)										
Size	Thread	DN	PN	A	B	C	D	E	F	ACT
*02	1/4	8	40	1/4	115	98	45	67	110	DA32
*03	3/8	10	40	3/8	115	98	45	67	110	DA32
*04	1/2	15	40	1/2	115	98	45	67	110	DA32
*05	3/4	20	40	3/4	120	100	45	76	110	DA32
*06	1	25	40	1	135	111	45	90	110	DA32
*07	1 1/4	32	40	1 1/4	144	114	45	102	110	DA32
*08	1 1/2	40	40	1 1/2	203	166	71	114	141	DA52
*10	2	50	40	2	221	175	71	138	141	DA52
*12	2 1/2	65	25	2 1/2	259	202	81	165	164	DA63
*14	3	80	16	3	279	211	81	188	164	DA63
*18	4	100	16	4	345	262	106	225	241	DA85

Valve Mounted on Single Acting Actuator. Types 8P008100

Dimensions (mm)										
Size	Thread	DN	PN	A	B	C	D	E	F	ACT
*02	1/4	8	40	1/4	151	134	71	67	141	SR52
*03	3/8	10	40	3/8	151	134	71	67	141	SR52
*04	1/2	15	40	1/2	151	134	71	67	141	SR52
*05	3/4	20	40	3/4	156	136	71	76	141	SR52
*06	1	25	40	1	172	147	71	90	141	SR52
*07	1 1/4	32	40	1 1/4	180	151	71	102	141	SR52
*08	1 1/2	40	40	1 1/2	214	177	81	114	164	SR63
*10	2	50	40	2	232	186	81	138	164	SR63
*12	2 1/2	65	25	2 1/2	291	234	106	165	241	SR85
*14	3	80	16	3	311	243	106	188	241	SR85
*18	4	100	16	4	358	275	123	225	275	SR100