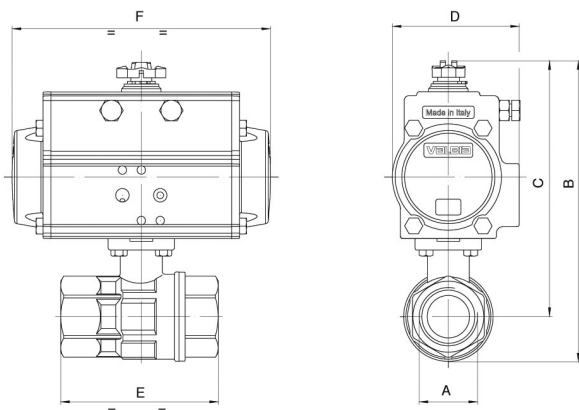
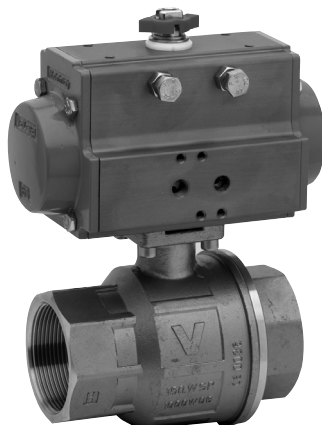


# Pneumatically Actuated Two-Way Stainless Steel Ball Valves

Full bore 2-way Stainless Steel Ball Valve (Type 703000 Page 291) with Direct Mount Pneumatic Actuator.

Part Number: 8P000300\* - Double Acting  
8P000400\* - Single Acting



### Technical Data

#### Operating Conditions

Fluid water at +20°C

#### Media

Any application with media suitable to stainless steel (materials of construction)

#### Operating Pressure

Nominal working pressure (PN) in bar - see chart

#### Operating Temperature

-20°C to + 160°C

#### Flow Rates

Flow rates stated in data sheet 703000

#### Threads

ISO 7/1 UNI EN 10226/1 - Rp

#### Materials

Body: CF8M

Ball: AISI 316

Seals: PTFE with Viton 'O' Ring

Stem: AISI 316

#### Additional Options

Valve with NPTF threads. Limit switchbox for open and close position indicator.

Actuation fitting conditions.

Fluid H<sub>2</sub>O +20°C Actuation 6 bar.

NAMUR solenoid valve

#### Special Requests

For assistance, contact our technical office or your local Camozzi distributor.



NAMUR solenoid valves



Limit switch box

- ✓ Ex Stock
- 🔧 UK Assembly
- 📞 Please Call Sales Office

### Valve Mounted on Double Acting Actuator. Types 8P000300

Dimensions (mm)											
Size	Thread	DN	PN	A	B	C	D	E	F	ACT	
*04	1/2	15	64	1/2	115	98	45	67	110	DA 32	
*05	3/4	20	64	3/4	121	100	45	78	110	DA 32	
*06	1	25	64	1	136	110	45	90	110	DA 32	
*07	1 1/4	32	64	1 1/4	146	113	45	100	110	DA 32	
*08	1 1/2	40	64	1 1/2	203	165	71	112	141	DA 52	
*10	2	50	64	2	223	174	71	135	141	DA 52	

### Valve Mounted on Single Acting Actuator. Types 8P000400

Dimensions (mm)											
Size	Thread	DN	PN	A	B	C	D	E	F	ACT	
*04	1/2	15	64	1/2	152	134	71	67	141	SR 52	
*05	3/4	20	64	3/4	157	136	71	78	141	SR 52	
*06	1	25	64	1	172	146	71	90	141	SR 52	
*07	1 1/4	32	64	1 1/4	182	150	71	100	141	SR 52	
*08	1 1/2	40	64	1 1/2	215	177	81	112	164	SR 63	
*10	2	50	64	2	235	186	81	135	164	SR 63	