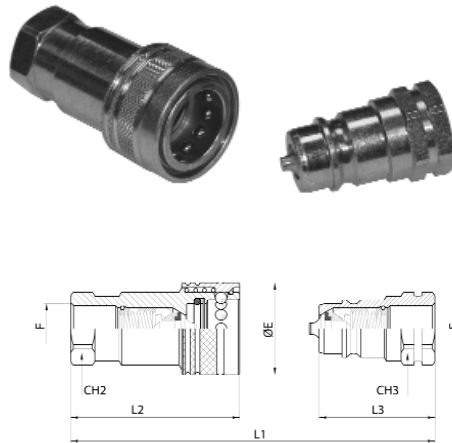


PAV1 Standard Range - Hydraulic Quick Release Couplings

ISO A Norm



Technical Data

Material

See page 8.00/006

Operating and Burst Pressures

See table page 8.00/006

Operating Temperature

with NBR standard seals -25°C to +125°C

Special Requests

For assistance, contact our technical office or your local Camozzi distributor.

Other seal available on request.

DN	ISO	CH2	CH3	øE	L1	L2	L3	Thread	Carrier Half	Probe Half
06	6.3	19	19	26	70	49	35	1/4	PAV1.0606.002	PAV1.0606.003
06	6.3	19	19	26	70	49	35	1/4 NPT	PAV1.0606.012	PAV1.0606.013
10	10	22	22	30	85	60.5	42.5	3/8	PAV1.1010.002	PAV1.1010.003
10	10	22	22	30	85	60.5	42.5	3/8 NPT	PAV1.1010.012	PAV1.1010.013
13	12.5	27	27	38	96	70	48	1/2	PAV1.1313.002	PAV1.1313.003
13	12.5	27	27	38	96	70	48	1/2 NPT	PAV1.1313.012	PAV1.1313.013
20	20	34	34	45	114	84.5	57	3/4	PAV1.2019.002	PAV1.2019.003
20	20	34	34	45	114	84.5	57	3/4 NPT	PAV1.2019.012	PAV1.2019.013
25	25	41	41	52	131	99	65.5	1	PAV1.2525.002	PAV1.2525.003
25	25	41	41	52	131	99	65.5	1 NPT	PAV1.2525.012	PAV1.2525.013
30	31.5	50	50	70	150	117	75	1 1/4	PAV1.3031.002	PAV1.3031.003
30	31.5	50	50	70	150	117	75	1 1/4 NPT	PAV1.3031.012	PAV1.3031.013
39	40	60	60	82	167	133	84	1 1/2	PAV1.3939.002	PAV1.3939.003
39	40	60	60	82	167	133	84	1 1/2 NPT	PAV1.3939.012	PAV1.3939.013
50	50	75	75	99	216	169	108	2	PAV1.5051.002	PAV1.5051.003
50	50	75	75	99	216	169	108	2 NPT	PAV1.5051.012	PAV1.5051.013

Dust Caps for ISO A

Dust Caps - for ISO 'A' Series

DN	Carrier Half	Probe Half
06	SPAV.06002	SPAV.06003
10	SPAV.10002	SPAV.10003
13	SPAV.13002	SPAV.13003
20	SPAV.20002	SPAV.20003
25	SPAV.25002	SPAV.25003
30	SPAV.30202	SPAV.30203
39	SPAV.39202	SPAV.39203
50	SPAV.50202	SPAV.50203

