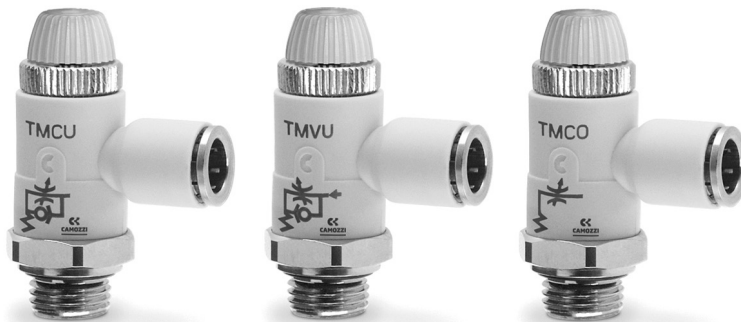


Series TMCU, TMVU, TMCO flow control valves

Unidirectional and bidirectional banjo flow controllers with nominal diameter 2 - 3,8 - 5,8 - 8 mm
Ports: G1/8, G1/4, G3/8, G1/2

SERIES TMCU, TMVU, TMCO VALVES



Series TMCU, TMVU, TMCO unidirectional and bidirectional flow controllers have been revised in order to decrease their dimensions and improve their flow rate characteristics. Their construction allows for easy assembly to cylinders and valves and allows the regulation adjustment to be precise and gradual.

GENERAL DATA

Construction	needle - type
Valve group	unidirectional and bidirectional controller
Materials	brass - technopolymer - NBR
Mounting	by male threaded
Threaded ports	G1/8 - G1/4 - G3/8 - G1/2
Installation	in any position
Operating temperature	0°C ÷ 60°C (with dry air -20°C)
Operating pressure	0,5 ÷ 10 bar
Nominal pressure	6 bar
Nominal flow	see graph
Nominal dia.	Tube 4 Ø2 - Tube 6 Ø3,8 - Tube 8 Ø5,8 - Tube 10 and 12 Ø8
Fluid	filtered air If lubricated air is used, it is recommended to use ISOVG 32 oil. Once applied the lubrication should never be interrupted.

CODING EXAMPLE

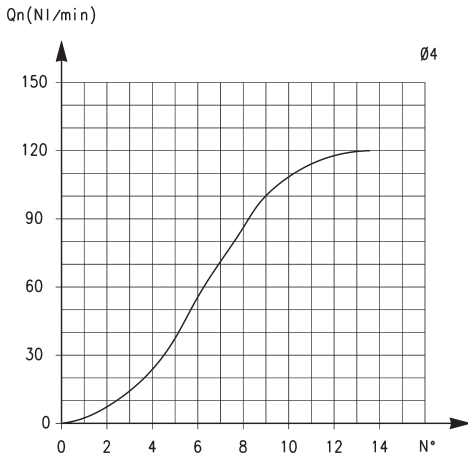
TM	CU		9	74	-	1/8	-	6
-----------	-----------	--	----------	-----------	----------	------------	----------	----------

TM	ACTUATION: TM = manual																				
CU	ASSEMBLY: CU = on cylinders unidirectional VU = on valves unidirectional CO = bidirectional																				
9	VERSIONS: 9 = manual needle																				
74	REGULATION: <table border="1"> <thead> <tr> <th></th> <th>step</th> <th>-</th> <th>Ø tube</th> </tr> </thead> <tbody> <tr> <td>72 =</td> <td>2</td> <td></td> <td>4</td> </tr> <tr> <td>74 =</td> <td>3.8</td> <td></td> <td>6</td> </tr> <tr> <td>76 =</td> <td>5.8</td> <td></td> <td>8</td> </tr> <tr> <td>78 =</td> <td>8</td> <td></td> <td>10</td> </tr> </tbody> </table>		step	-	Ø tube	72 =	2		4	74 =	3.8		6	76 =	5.8		8	78 =	8		10
	step	-	Ø tube																		
72 =	2		4																		
74 =	3.8		6																		
76 =	5.8		8																		
78 =	8		10																		
1/8	PORTS: 1/8 1/4 3/8 1/2																				
6	Ø TUBE: 4 6 8 10																				

To ensure the right choice of unidirectional flow controller, proceed as follows: calculate the quantity of air in NI/min (see cylinder Table); determine the stroke time of the cylinder; refer to graph to see which controller is the right type.

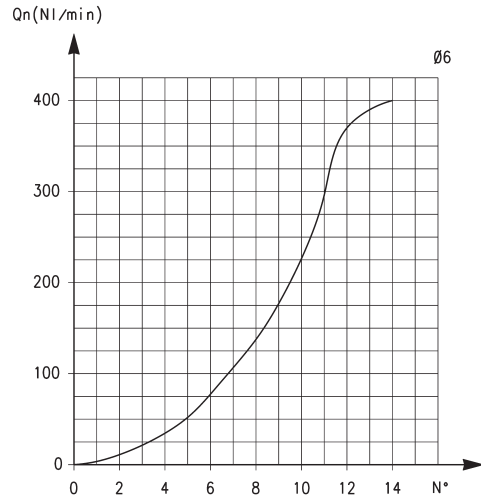
UNIDIRECTIONAL AND BIDIRECTIONAL FLOW CONTROL REGULATORS

SERIES TMCU, TMVU, TMCO VALVES



TUBE Ø4

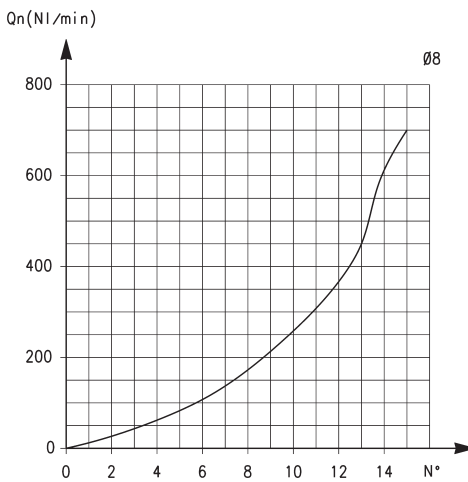
Flow Qn (NL/min.) from 2 → 1 with controller OPEN: 400
 Flow Qn (NL/min.) from 2 → 1 with controller CLOSED: 280
 Qn is determined with a supply pressure of 6 bar and with ΔP = 1 bar at the outlet
 N° = number of screw turns.



TUBE Ø6

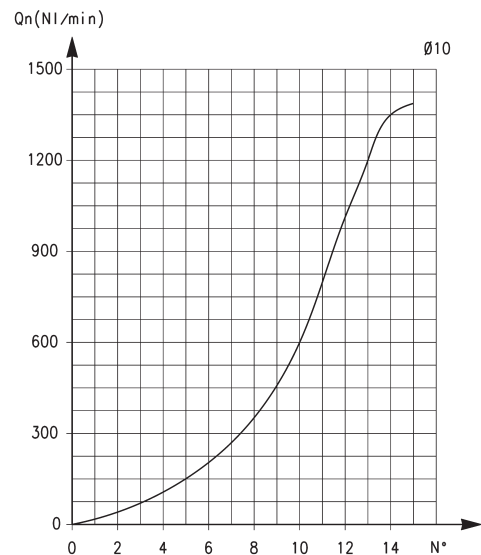
Flow Qn (NL/min.) from 2 → 1 with controller OPEN: 550
 Flow Qn (NL/min.) from 2 → 1 with controller CLOSED: 280
 Qn is determined with a supply pressure of 6 bar and with ΔP = 1 bar at the outlet
 N° = number of screw turns.

UNIDIRECTIONAL AND BIDIRECTIONAL FLOW CONTROL REGULATORS



TUBE Ø8

Flow Qn (NL/min.) from 2 → 1 with controller OPEN: 890
 Flow Qn (NL/min.) from 2 → 1 with controller CLOSED: 460
 Qn is determined with a supply pressure of 6 bar and with ΔP = 1 bar at the outlet
 N° = number of screw turns.



TUBE Ø10

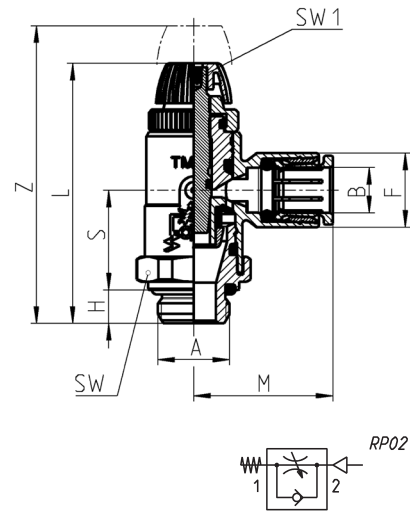
Flow Qn (NL/min.) from 2 → 1 with controller OPEN: Ø 10-1200/Ø12-1250
 Flow Qn (NL/min.) from 2 → 1 with controller CLOSED: Ø 10-600/Ø12-600
 Qn is determined with a supply pressure of 6 bar and with ΔP = 1 bar at the outlet
 N° = number of screw turns.

Series TMCU valves



Unidirectional flow controller for mounting on single-acting or double-acting cylinders.
Adjustment of setting by a hexagonal male key or a manually operated knurled screw.
Ports: G1/8, G1/4, G3/8, G1/2

DIMENSIONS										
Mod.	A	B	F	H	L	M	S	SW	SW1	Z
TMCU 972-1/8-4	G1/8	4	11,5	5	43	21,5	16,5	16	1,5	50
TMCU 974-1/8-6	G1/8	6	11,5	5	43	21,5	16,5	16	1,5	50
TMCU 974-1/4-6	G1/4	6	11,5	6	44	21,5	16,5	17	1,5	51
TMCU 976-1/8-8	G1/8	8	13,5	5	47	25	17,5	19	2,5	54
TMCU 976-1/4-8	G1/4	8	13,5	6	48,5	25	18	19	2,5	55,5
TMCU 976-3/8-8	G3/8	8	13,5	7	49,5	25	18	20	2,5	56,5
TMCU 978-3/8-10	G3/8	10	16	7	51	29	17	25	2,5	59,5
TMCU 978-1/2-10	G1/2	10	16	8	52	29	17	25	2,5	60,5

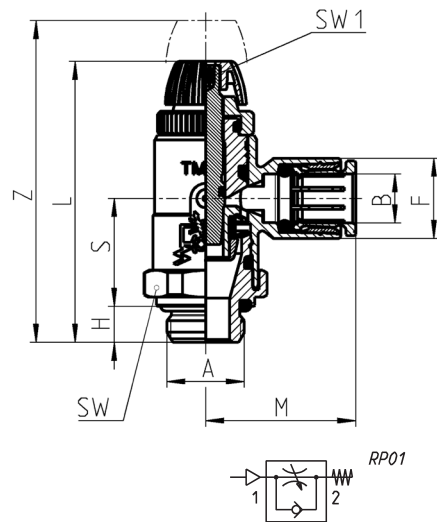


Series TMVU valves



Unidirectional flow controller for mounting on valves.
Adjustment of setting by a hexagonal male key or a manually operated knurled screw.
Ports: G1/8, G1/4, G3/8, G1/2

DIMENSIONS										
Mod.	A	B	F	H	L	M	S	SW	SW1	Z
TMVU 972-1/8-4	G1/8	4	11,5	5	43	21,5	16,5	16	1,5	50
TMVU 974-1/8-6	G1/8	6	11,5	5	43	21,5	16,5	16	1,5	50
TMVU 974-1/4-6	G1/4	6	11,5	6	44	21,5	16,5	17	1,5	51
TMVU 976-1/8-8	G1/8	8	13,5	5	47	25	17,5	19	2,5	54
TMVU 976-1/4-8	G1/4	8	13,5	6	48,5	25	18	19	2,5	55,5
TMVU 976-3/8-8	G3/8	8	13,5	7	49,5	25	18	20	2,5	56,5
TMVU 978-3/8-10	G3/8	10	16	7	51	29	17	25	2,5	59,5
TMVU 978-1/2-10	G1/2	10	18	8	52	29	17	25	2,5	60,5



Series TMCU valves



Bidirectional flow controller.
Adjustment of setting by a hexagonal male key or a manually operated knurled screw.
Ports: G1/8, G1/4, G3/8, G1/2

DIMENSIONS										
Mod.	A	B	F	H	L	M	S	SW	SW1	Z
TMCU 972-1/8-4	G1/8	4	11,5	5	43	21,5	16,5	16	1,5	50
TMCU 974-1/8-6	G1/8	6	11,5	5	43	21,5	16,5	16	1,5	50
TMCU 974-1/4-6	G1/4	6	11,5	6	44	21,5	16,5	17	1,5	51
TMCU 976-1/8-8	G1/8	8	13,5	5	47	25	17,5	19	2,5	54
TMCU 976-1/4-8	G1/4	8	13,5	6	48,5	25	18	19	2,5	55,5
TMCU 976-3/8-8	G3/8	8	13,5	7	49,5	25	18	20	2,5	56,5
TMCU 978-3/8-10	G3/8	10	16	7	51	29	17	25	2,5	59,5
TMCU 978-1/2-10	G1/2	10	16	8	52	29	17	25	2,5	60,5

