

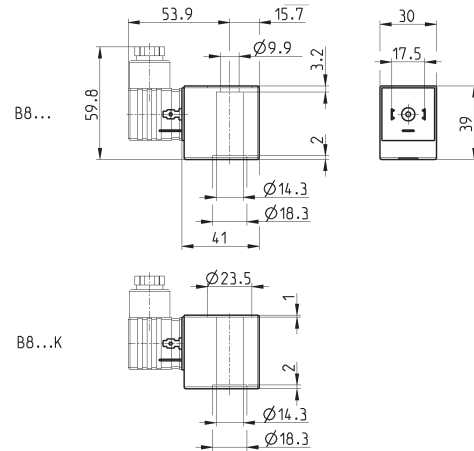
Solenoids Mod. B8...



Electrical connection: bipolar plus earth
Norm: DIN EN 175 301-803-A

Solenoid material: PA-MXD6

The B8*K models can be used only with some solenoid valves Series CFB (Mod. CFB-D1..., 2/2 NO).
Further details in the dedicated section 1.30.



Mod.	Solenoid voltage	Power absorption
B8B	24 V - 50 Hz	15 VA
B8BK	24 V - 50 Hz	15 VA
B8D	110 V - 50/60 Hz	15 VA
B8DK	110 V - 50/60 Hz	15 VA
B8E	220/230 V - 50/60 Hz	15 VA
B8EK	230 V - 50/60 Hz	15 VA
B8F	220/230 V - 50/60 Hz	21 VA
B8FK	220/230 V - 50/60 Hz	21 VA
B8Z	12 V - DC	19 W
B8ZK	12 V - DC	19 W
B83	24 V - DC	19 W
B83K	24 V - DC	19 W

Solenoid Mod. H8.. for potentially explosive ambients



Certification in compliance with
EN 60079-0 EN 60079-18

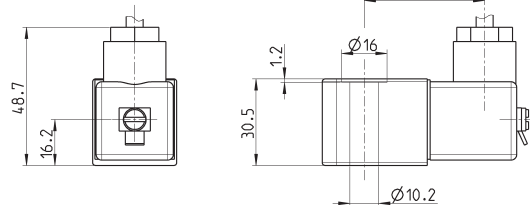
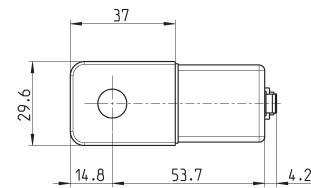
ATEX :

II 2G Ex mb IIC T4 Gb
II 2D Ex mb IIIC T135°C Db
I M2 Ex mb I Mb
INERIS 06ATEX0002X

IECEX :

Ex mb IIC T4 Gb
Ex mb IIIC T135°C Db
Ex mb I Mb
IECEX INE 15.0053X

For Series NA use plate mod. NA54-PC.



Mod.	Solenoid voltage	Power absorption
H83I	24 V - DC	5.3 W
H8BI	24 V - 50/60 Hz	5.3 W
H8CI	48 V - 50/60 Hz	5.3 W
H8DI	110 V - 50/60 Hz	5.3 W
H8EI	230 V - 50/60 Hz	5.3 W

Temperature class/Max surface temperature: T4/135°C
Environment temperature: -20°C + 40°C
Connection: tripolar cable 3 m (other lengths on request)
Incapsulating material: self-extinguishing PA.