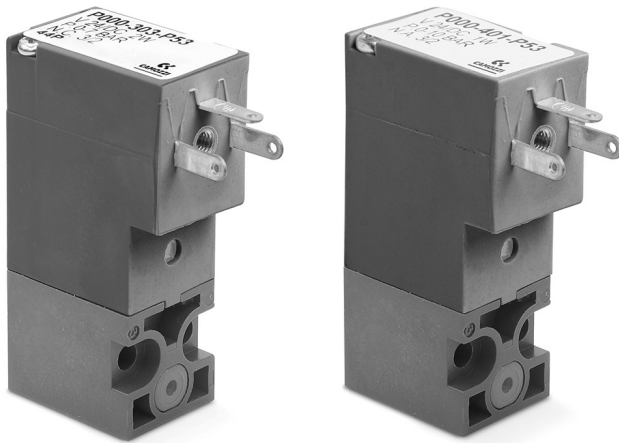


Series P directly operated solenoid valves

3/2-way - Normally Closed (NC) and Normally Open (NO)

SERIES P SOLENOID VALVES



» Can be mounted on a single base (M5 connections) or on manifold (M5 connections or cartridge \varnothing 3 and 4).

Please note that all Series P solenoid valves are supplied with direct current (DC). To operate in alternating current (AC), it is necessary to use the connector with bridge rectifier Mod. 125-900.

Series P directly operated mini-solenoid valves are available as 3/2-way, either NC or NO. Both versions can be mounted on single bases or on manifolds and they are equipped with a manual override which makes the plants setting easier.

GENERAL DATA

TECHNICAL FEATURES

Function	3/2 NC - 3/2 NO
Operation	direct acting poppet type
Pneumatic connections	on subbase with ISO 15218 interface by means of screws
Nominal diameter	0.8 ... 1.5 mm
Nominal flow	14 ... 35 NL/min (air @ 6 bar ΔP 1 bar)
Flow coefficient kv (l/min)	0.21 ... 0.54
Operating pressure	0 ÷ 3 ... 10 bar
Operating temperature	0°C ÷ 50°C
Media	filtered air, class 5.4.4 according to ISO 8573-1 (max oil viscosity 32 cSt), inert gas
Response time (ISO 12238)	ON <10 msec - OFF <15 msec
Manual override	monostable button
Installation	in any position

MATERIALS IN CONTACT WITH THE MEDIUM

Body	PBT technopolymer
Seals	FKM, NBR (FKM on demand)
Internal parts	stainless steel

ELECTRICAL FEATURES

Voltage	12 ... 110 V DC - 24 ... 110 V AC 50/60 Hz
Voltage tolerance	±10%
Power consumption	2 W - 1 W (24 V DC only)
Duty cycle	ED 100%
Electrical connection	with industrial standard connector (9.4 mm)
Protection class	IP65 with connector

Special versions available on demand

CODING EXAMPLE

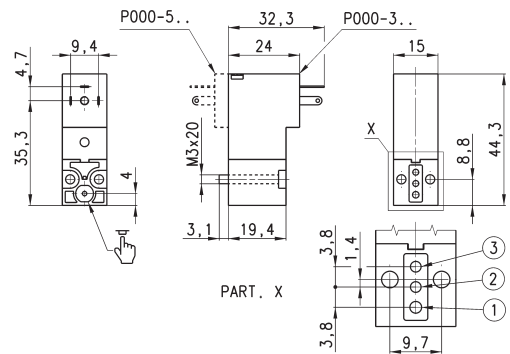
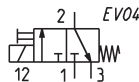
P	0	00	-	3	0	3	-	P	5	3	
P	SERIES										
0	BODY DESIGN: 0 = single sub-base (M5 only) or interface 1 = single manifold 2 = double sided manifold										
00	NUMBER OF POSITIONS: 00 = interface 01 = single base (M5 only) 02 ÷ 99 = manifold number of positions										
3	NUMBER OF WAYS - FUNCTIONS: 0 = manifold or single base 3 = 3-way NC 4 = 3-way NO 5 = 3-way NC electric part revolved by 180° 6 = 3-way NO electric part revolved by 180°										
0	VALVE PORTS: 0 = interface (for single valve only) MANIFOLD PORTS (for Series W, P and PN): 2 = M5 side port 3 = ø 3 tube side port 4 = ø 4 tube side port 6 = M5 rear ports 7 = ø 3 tube rear ports 8 = ø 4 tube rear ports										
3	NOMINAL DIAMETER - MAX PRESSURE 1 = ø 0,8 (1W) 10 bar (NC) 24V only 3 = ø 1,5 (2W) 7 bar (NC) 5 bar (NO) 5 = ø 1,1 NC (2W) 10 bar (NC) ø 0,9 NO (2W) 10 bar (NO) 6 = ø 1,5 NC (2W) 3 bar (NC) *										
P	MATERIALS: P = technopolymer PBT body, FKM poppet seal, other seals in NBR (FKM on demand)										
5	ELECTRICAL CONNECTION: 5 = industrial standard connection (9.4 mm)										
3	SOLENOID VOLTAGE: B = 24V 50/60 Hz 2 = 12V DC 6 = 110V DC C = 48V 50/60 Hz 3 = 24V DC D = 110V 50/60 Hz 4 = 48V DC										
	FIXING: = with screws for metal (standard) P = with screws for plastics										

* Voltage tolerance from +10% to -25%

3/2-way NC solenoid valve

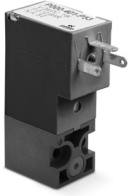


Supplied with:
 1x interface seal
 2x screws M3x20 UNI 8112
 (fixing for metal, standard)
 OR
 2x screws M3x23 UNI 10227
 (fixing for plastics, P option)

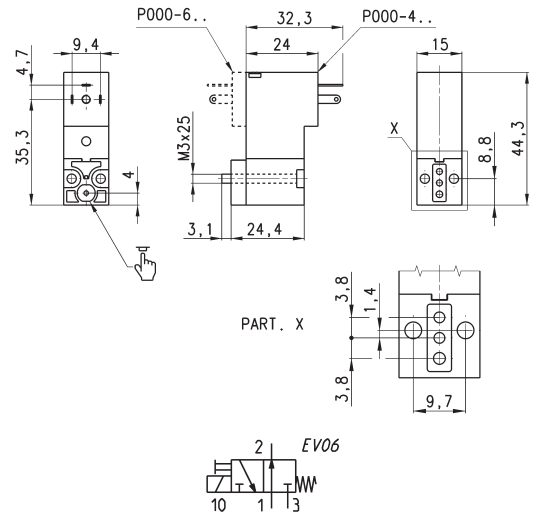


Mod.	Orifice Ø (mm)	kv (l/min)	Qn (NL/min)	Pressure min-max (bar)
P000-301-P53	0,8	0.21	14	0 ÷ 10
P000-303-P53	1,5	0.54	35	0 ÷ 7
P000-305-P53	1,1	0.39	25	0 ÷ 10
P000-306-P53	1,5	0.54	-	0 ÷ 3

3/2-way NO solenoid valve

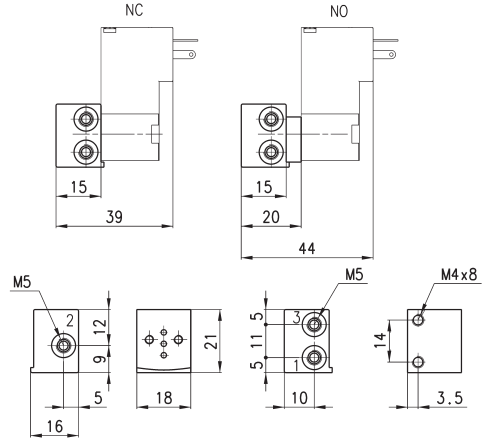


Supplied with:
1x interface for NO version
(connections 1 and 3 are inverted)
2x interface seals
2x screws M3x25 UNI 8112 (for standard version)



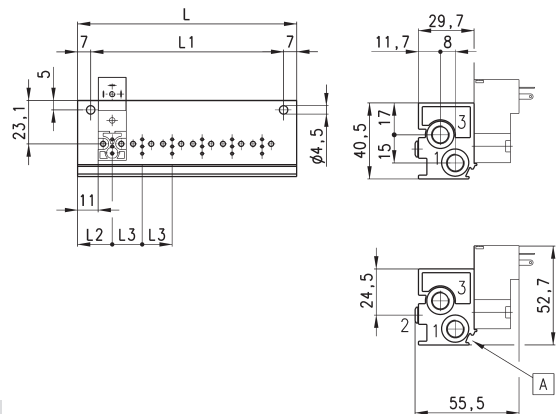
Mod.	Orifice Ø (mm)	kv (l/min)	Qn (NL/min)	Pressure min-max (bar)
P000-405-P53	0.9	0.23	15	0 ÷ 10
P000-403-P53	1.5	0.54	-	0 ÷ 5

Single sub-base



Mod.
P001-02

Single manifold with rear outlets



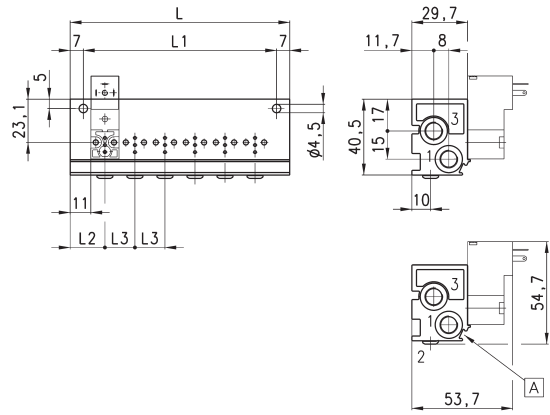
DIMENSIONS							
Mod.	N° Valves	L	L1	L2	L3	1 (P)	3 (R)
P102-0*	2	53	39	18,5	16	G1/8	G1/8
P103-0*	3	69	55	18,5	16	G1/8	G1/8
P104-0*	4	85	71	18,5	16	G1/8	G1/8
P105-0*	5	101	87	18,5	16	G1/8	G1/8
P106-0*	6	117	103	18,5	16	G1/8	G1/8

* = see the type of PORTS in the CODING EXAMPLE TABLE.

A = groove for electric connection identification

Single manifold with front outlets

This manifold is arranged to be fixed through DIN 46277/3 guide together with the accessory PCF-E520.

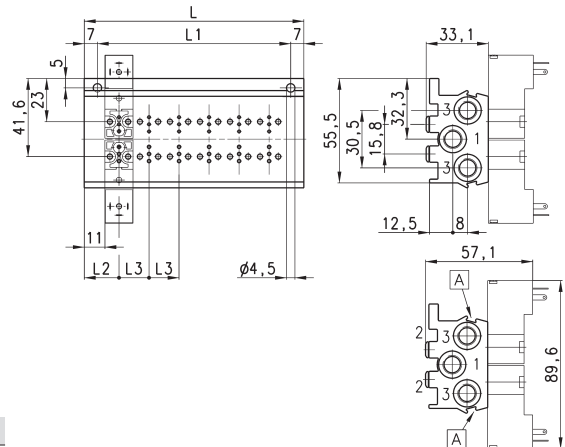


DIMENSIONS							
Mod.	Nr valves	L	L1	L2	L3	1 (P)	3 (R)
P102-0*	2	53	39	18,5	16	G1/8	G1/8
P103-0*	3	69	55	18,5	16	G1/8	G1/8
P104-0*	4	85	71	18,5	16	G1/8	G1/8
P105-0*	5	101	87	18,5	16	G1/8	G1/8
P106-0*	6	117	103	18,5	16	G1/8	G1/8

* = see the type of PORTS in the CODING EXAMPLE TABLE.

A = groove for electric connection identification

Double sided manifold with rear outlets



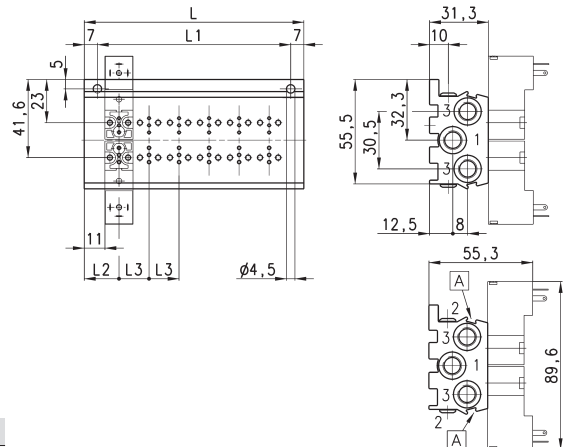
DIMENSIONS							
Mod.	Nr valves	L	L1	L2	L3	1 (P)	3 (R)
P204-0*	4	53	39	18,5	16	G1/8	G1/8
P206-0*	6	69	55	18,5	16	G1/8	G1/8
P208-0*	8	85	71	18,5	16	G1/8	G1/8
P210-0*	10	101	87	18,5	16	G1/8	G1/8
P212-0*	12	117	103	18,5	16	G1/8	G1/8

* = see the type of PORTS in the CODING EXAMPLE TABLE.

A = groove for electric connection identification

Double sided manifold with front outlets

This manifold is arranged to be fixed through DIN 46277/3 guide together with the accessory PCF-E520.



DIMENSIONS							
Mod.	Nr valves	L	L1	L2	L3	1 (P)	3 (R)
P204-0*	4	53	39	18,5	16	G1/8	G1/8
P206-0*	6	69	55	18,5	16	G1/8	G1/8
P208-0*	8	85	71	18,5	16	G1/8	G1/8
P210-0*	10	101	87	18,5	16	G1/8	G1/8
P212-0*	12	117	103	18,5	16	G1/8	G1/8

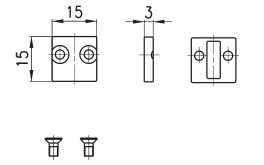
* = see the type of PORTS in the CODING EXAMPLE TABLE.

A = groove for electric connection identification

Excluder tap

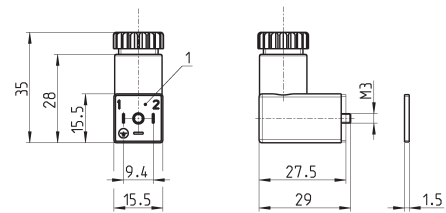


Supplied with:
1x excluder tap
1x interface seal
2x screws



Mod.	
P000-TP	

Industrial standard (9.4 mm) connector Mod. 125-...



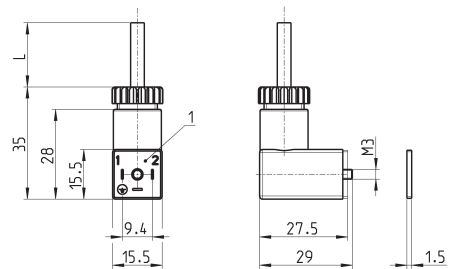
Mod.	description	colour	working voltage	cable holding	tightening torque
125-601	connector, diode + Led	transparent	10/50 V DC	PG7	0.3 Nm
125-701	connector, varistor + Led	transparent	24 V AC/DC	PG7	0.3 Nm
125-800	connector, without electronics	black	-	PG7	0.3 Nm

1 = 90° adjustable connector

Industrial standard (9.4 mm) connector Mod. 125-... with cable



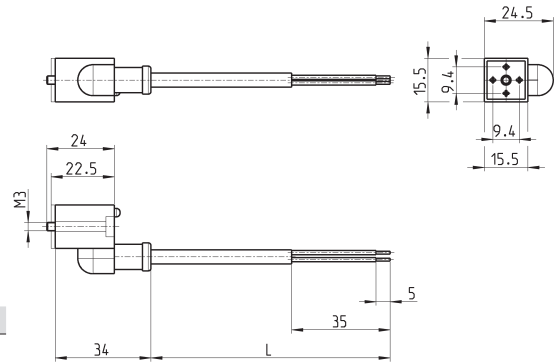
The internal rectifier circuit of the connector Mod. 125-900 allows to use solenoid valves with different AC voltage, even if the voltage indicated on the solenoid valve is DC.



Mod.	description	colour	working voltage	cable length [L]	cable holding	tightening torque
125-501-2	moulded cable with diode + Led	black	10/50 V DC	2000 mm	-	0.3 Nm
125-550-1	moulded cable, without electronics	black	-	1000 mm	-	0.3 Nm
125-601-2	pre-wired cable, diode + Led	transparent	10/50 V DC	2000 mm	PG7	0.3 Nm
125-571-3	moulded cable, varistor + Led	black	24 V AC/DC	3000 mm	-	0.3 Nm
125-900	pre-wired cable with voltage rectifier	black	6 V - 110 V AC/DC	2000 mm	PG7	0.3 Nm

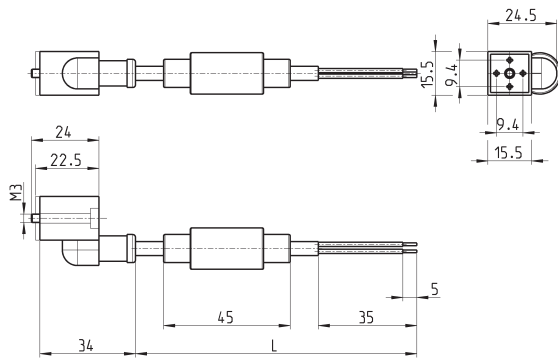
1 = 90° adjustable connector

Industrial standard (9.4 mm) in-line connectors with cable



Mod.	description	colour	working voltage	cable length [L]	cable holding	tightening torque
125-503-2	in-line moulded cable, with diode + Led	black	24 V DC	2000 mm	-	0.3 Nm
125-503-5	in-line moulded cable, with diode + Led	black	24 V DC	5000 mm	-	0.3 Nm
125-553-2	in-line moulded cable, without electronics	black	-	2000 mm	-	0.3 Nm
125-553-5	in-line moulded cable, without electronics	black	-	5000 mm	-	0.3 Nm

Industrial standard (9.4 mm) in-line connectors with bridge rectifier



Mod.	description	colour	working voltage	cable length [L]	cable holding	tightening torque
125-903-2	in-line moulded cable with voltage rectifier	black	6 V - 230 V AC/DC	2000 mm	-	0.3 Nm
125-903-5	in-line moulded cable with voltage rectifier	black	6 V - 230 V AC/DC	5000 mm	-	0.3 Nm