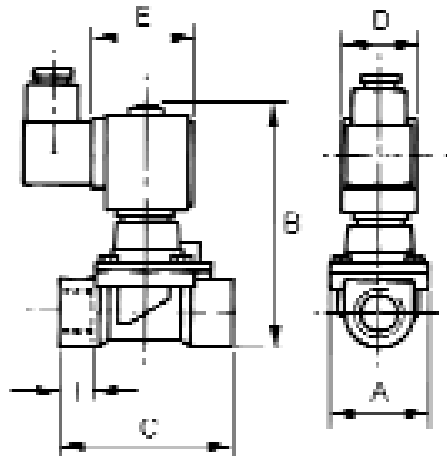
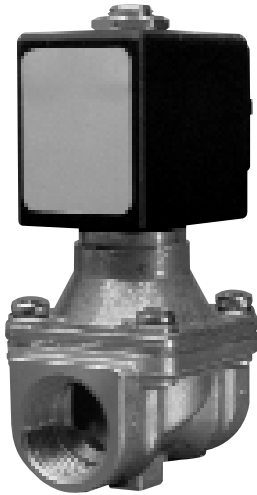


## Solenoid Valves - Coupled Diaphragm

Connections: 3/8, 1/2, 3/4, 1, 3/4, 1, 1 1/2  
 Operations: Coupled Diaphragm 2/2 NC  
 Operates from zero pressure



**Technical Data**

**Type of Construction**  
 Coupled diaphragm  
 Normally closed only

**Line Media**  
 Non-aggressive liquids and gases, ie air, oil, water

**Operating Pressure**  
 See table

**Operating Temperature**  
 Ambient: -10°C to +55°C  
 Fluid: -10°C to +140°C

**Threads**  
 BSPP GAS Parallel ISO 228/1

**Materials**  
 Body: Brass  
 Other Parts: Stainless steel  
 Seals: Viton

**Mounting**  
 Normally in fixed pipework 3/8 and 1/2 only. Can be drilled for mounting. Brackets available for larger sizes on request

**Standard Voltages**  
 12V DC 24V DC  
 24V AC 110V AC 230V AC (50Hz)

**Protection Rating**  
 IP65 with connector  
 - see pages 002/032-035

**Power Consumption**  
 DC: 12W  
 AC: Working 35 VA In rush 25 VA  
 DC: 14W  
 AC: Working 43 VA In rush 27 VA

**Options**  
 Different voltages

**Special Requests**  
 For assistance, contact our technical office or your local Camozzi distributor.

2/2 Servo - Assisted Solenoid Valves										
	Orifice Size	mm	Dimensions					Coil watts	Pressure Range (bar)	
			A	B	C	D	E		AC	DC
21H11KOV120	3/8	12	40	99	50	30	42	8	0 - 16	0 - 1.5
	3/8	12	40	99	50	30	42	12	0 - 20	0 - 6
			40	99	50	52	55	14	0 - 20	0 - 15
21H12KOV120	1/2	12	40	99	50	30	42	8	0 - 16	0 - 1.5
	1/2	12	40	99	50	30	42	12	0 - 20	0 - 6
			40	99	50	52	55	14	0 - 20	0 - 15
21HF5KOV200	3/4	20	65	103	104	52	55	8	0 - 12	
	3/4	20	65	103	104	52	55	12	0 - 15	
21HF6KOV250	1	25	65	110	104	52	55	8	0 - 16	0 - 5
	1	25	65	110	104	52	55	12	0 - 16	0 - 16
21HF8KOV400	1 1/2	40	94	130	128	52	55	14	0 - 16	0 - 6

Please specify coil voltage required when ordering. Price excludes coil - please order separately (see below).

	8 Watt Coils	12 Watt Coils	14 Watt Coils
12V DC	BDA08012CS	UDA12DC	M12DC
24V DC	BDA08024CS	UDA24DC	M24DC
24V AC	BDS08024AS	UDA24AC	M24AC
110V AC	BDS08110AS	UDA110AC	M110AC
230V AC	BDS08223AS	UDA230AC	M240AC



**For Standard Connectors**

See pages 2.00/032 and 033