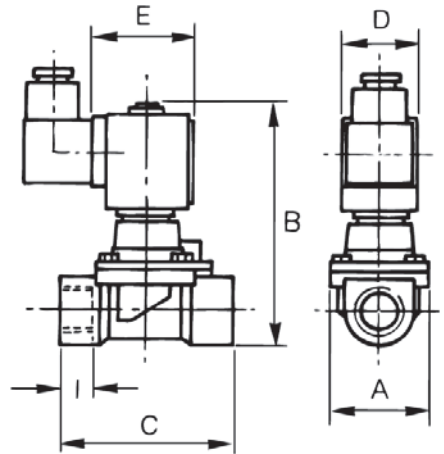
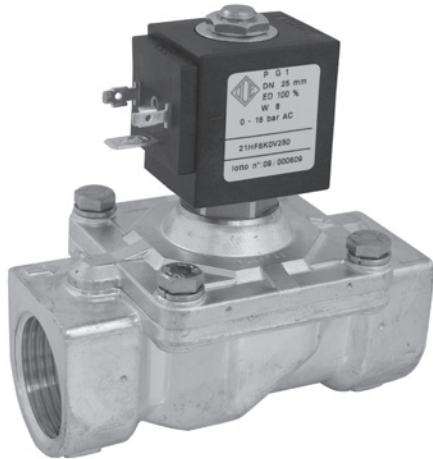


Solenoid Valves - Coupled Diaphragm

Connections: 3/8, 1/2, 3/4, 1, 3/4, 1, 1 1/2
 Operations: Coupled Diaphragm 2/2 NC
 Operates from zero pressure



Technical Data

Type of Construction
 Coupled diaphragm
 Normally closed only

Line Media
 Non-aggressive liquids and gases, ie air, oil, water

Operating Pressure
 See table

Operating Temperature
 Ambient: -10°C to +55°C
 Fluid: -10°C to +140°C

Threads
 BSPP GAS Parallel ISO 228/1

Materials
 Body: Brass
 Other Parts: Stainless steel
 Seals: Viton

Mounting
 Normally in fixed pipework. 3/8 and 1/2 only can be drilled for mounting. Brackets available for larger sizes on request

Standard Voltages
 12VDC 24VDC
 24VAC 110VAC 230VAC (50Hz)

Protection Rating
 IP65 with connector
 - see pages 134-137

Power Consumption
 DC: 8W
 AC: Working 14 VA In rush 25 VA
 DC: 12W
 AC: Working 35 VA In rush 25 VA
 DC: 14W
 AC: Working 43 VA In rush 27 VA

Options
 Different voltages

Special Requests
 For assistance, contact our technical office or your local Camozzi distributor.

- ✓ Ex Stock
- ✎ UK Assembly
- ⊗ Please Call Sales Office

2/2 Servo - Assisted Solenoid Valves												
		Orifice		Dimensions					Coil		Pressure Range (bar)	
		Size	mm	A	B	C	D	E	watts	AC	DC	
21H11KOV120	✓	3/8	12	40	99	50	30	42	8	0 - 16	0 - 1.5	
	✓	3/8	12	40	99	50	30	42	12	0 - 20	0 - 6	
	✓	3/8	12	40	99	50	52	55	14	0 - 20	0 - 15	
21H12KOV120	✓	1/2	12	40	99	50	30	42	8	0 - 16	0 - 1.5	
	✓	1/2	12	40	99	50	30	42	12	0 - 20	0 - 6	
	✓	1/2	12	40	99	50	52	55	14	0 - 20	0 - 15	
21HF5KOV200	✓	3/4	20	65	103	104	52	55	8	0 - 16	0 - 6	
	✓	3/4	20	65	103	104	52	55	12	0 - 16	0 - 16	
21HF6KOV250	✓	1	25	65	110	104	52	55	8	0 - 16	0 - 5	
	✓	1	25	65	110	104	52	55	12	0 - 16	0 - 16	
21HF8KOV400	✓	1 1/2	40	94	130	128	52	55	14	0 - 16	0 - 6	
	✓	1 1/2	40	94	130	128	52	55	12	0 - 16	-	

Please specify coil voltage required when ordering. Price excludes coil - please order separately (see below).

		8 Watt Coils	12 Watt Coils	14 Watt Coils
Voltage				
12V DC	✓	BDA08012CS	UDA12012CS	GDH14012CS
24V DC	✓	BDA08024CS	UDA12024CS	GDH14024CS
24V AC	✓	BDA08024DS	UDA12024AS	GDH14024AS
110V AC	✓	BDA08110DS	UDA12110DS	GDH14110AS
230V AC	✓	BDA08223DS	UDA12230AS	GDH14223DS



For Standard Connectors
 See pages 134-135