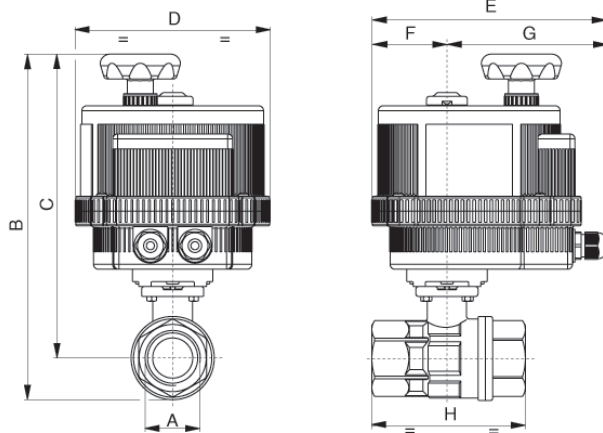


# Electrically Actuated Two-Way Stainless Steel Ball Valves

Full bore 2-way Stainless Steel Ball Valve (Type 703000 Page 290) with Direct Mount Electric Actuator.

Part Number: 8E003\*\*\*



**Technical Data**

**Media**

Any application with media suitable to stainless steel (materials of construction)

**Operating Pressure**

Nominal working pressure (PN) in bar - see chart

**Operating Temperature**

-20°C to +160°C

**Flow Rates**

Flow rates stated in data sheet 703000

**Threads**

ISO 7/1 - UNI EN 10226/1 - Rp

**Materials**

Body: CF8M

Ball: CF8M

Seals: PTFE with Viton 'O' Ring

Stem: AISI 316

**Additional Options**

Modulating options:

4 - 20mA or 0 - 10v

Battery Block for safety operation

Modulating complete with Battery Block for safety operation

**Special Requests**

For assistance, contact our technical office or your local Camozzi distributor.

PROCESS VALVES AND ACTUATION

- ✓ Ex Stock
- 🔧 UK Assembly
- ☎ Please Call Sales Office

Voltage Supply Order Code			
For Mod. VB015	12V AC/DC **001	24V AC/DC **002	100-240V AC **004
For Mod. VB030-350	12V DC **001		

Dimensions (mm)											
Size	Thread	DN	PN	B	C	D	E	F	G	H	Elect. ACT
*04	1/2	15	64	192	175	123	164	43	121	67	VB 015
*05	3/4	20	64	198	177	123	164	43	121	78	VB 015
*06	1	25	64	213	187	123	164	43	121	90	VB 015
*07	1 1/4	32	64	223	190	123	164	43	121	100	VB 015
*08	1 1/2	40	64	290	251	157	191	61	130	112	VB 030
*10	2	50	64	309	261	157	191	61	130	135	VB 030
*14	3	80	25	390	318	185	215	68	147	180	VB 060*

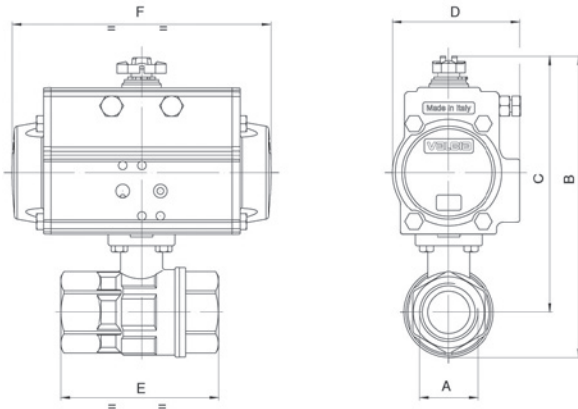
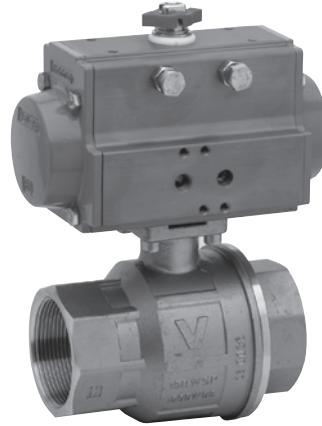
\*Special Version

# Pneumatically Actuated Two-Way Stainless Steel Ball Valve

Full bore 2-way Stainless Steel Ball Valve (Type 703000 Page 290) with Direct Mount Pneumatic Actuator.

Part Number: 8P000300\* - Double Acting  
8P000400\* - Single Acting

PROCESS VALVES AND ACTUATION



**Technical Data**

**Operating Conditions**  
Fluid water at +20°C

**Media**  
Any application with media suitable to stainless steel (materials of construction)

**Operating Pressure**  
Nominal working pressure (PN) in bar - see chart

**Operating Temperature**  
-20°C to +160°C

**Flow Rates**  
Flow rates stated in data sheet 703000

**Threads**  
ISO 7/1 UNI EN 10226/1 - Rp

**Materials**  
Body: CF8M  
Ball: CF8M  
Seals: PTFE with Viton 'O' Ring  
Stem: AISI 316

**Additional Options**  
Valve with NPTF threads. Limit switchbox for open and close position indicator.

Actuator sizing conditions are based on Water service at 16 Bar g with a minimum air supply pressure of 5.5 Bar g  
NAMUR solenoid valve

**Special Requests**  
For assistance, contact our technical office or your local Camozzi distributor.

- ✓ Ex Stock
- 🔧 UK Assembly
- 📞 Please Call Sales Office

**Valve Mounted on Double Acting Actuator. Types 8P000300**

Dimensions (mm)											
Size	Thread	DN	PN	A	B	C	D	E	F	ACT	
*04	1/2	15	64	1/2	115	98	45	67	110	DA 32	
*05	3/4	20	64	3/4	121	100	45	78	110	DA 32	
*06	1	25	64	1	136	110	45	90	110	DA 32	
*07	1 1/4	32	64	1 1/4	146	113	45	100	110	DA 32	
*08	1 1/2	40	64	1 1/2	203	165	71	112	141	DA 52	
*10	2	50	64	2	223	174	71	135	141	DA 52	
*14	3	80	25	3	306	234	95	180	210	DA 75	

**Valve Mounted on Single Acting Actuator. Types 8P000400**

Dimensions (mm)											
Size	Thread	DN	PN	A	B	C	D	E	F	ACT	
*04	1/2	15	64	1/2	152	134	71	67	141	SR 52	
*05	3/4	20	64	3/4	157	136	71	78	141	SR 52	
*06	1	25	64	1	172	146	71	90	141	SR 52	
*07	1 1/4	32	64	1 1/4	182	150	71	100	141	SR 52	
*08	1 1/2	40	64	1 1/2	215	177	81	112	164	SR 63	
*10	2	50	64	2	235	186	81	135	164	SR 63	
*14	3	80	25	3	333	260	123	180	275	SR 100	



NAMUR solenoid valves



Limit switch box