

Series PG digital pressure gauges

Possibility of a direct mounting with rear or panel connection



- » Pressure unit on display
- » Battery-powered / with cable
- » Easy and fast read out with digital display
- » 4 user programmable pressure units available
- » Power saving mode
- » Back light
- » Dust-proof and splash-proof (IP65 protection class)

The new Series PG digital pressure gauges meet the need of an even more precise pressure adjustment, above all in proportional control.
Thanks to the IP65 protection class these pressure gauges are particularly suitable for applications where the highest environmental protection is required.

TECHNICAL DATA
CHARACTERISTICS

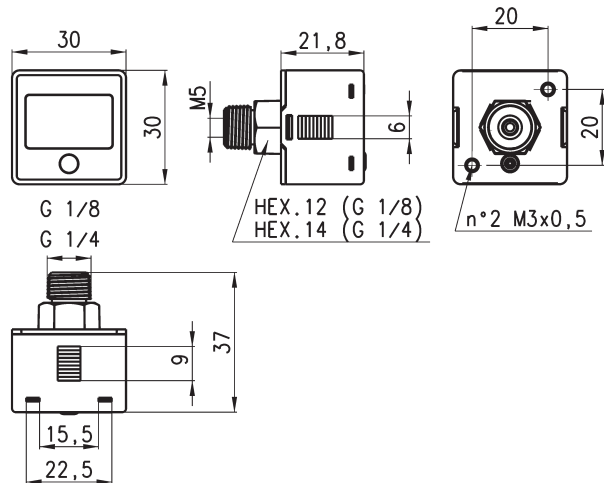
	Vacuum PG...-VB...	Pressure PG...-PB...
Pressure units	psi, bar, mmHg, kPa programmable by the user	psi, bar, kgf/cm ² , MPa programmable by the user
Rated pressure range	0 ÷ -1 bar	0 ÷ 10 bar
Display pressure range	0.1 ÷ -1 bar	-0.1 ÷ 10 bar
Withstand pressure	3 bar	15 bar
Repeatability	≤ ± 1% F.S. ± 1 digit	≤ ± 0,2% F.S. ± 1 digit
Resolution: kPa	1	-
MPa	-	0.001
kgf/cm ²	0.01	0.01
bar	0.01	0.01
psi	0.1	0.1
Indicator accuracy	≤ ± 2% F.S. ± 1 digit (ambient temperature: 25 ± 3°C)	
Medium	Filtered air, incombustible and non-corrosive gases	
Back light	Yes	
Sample rate	2 Hz (2 times/second)	
LCD display	3 ½ digit, 7 segment	
Environment: Protection class	IP65 (an air tube must be installed to maintain this grade)	
Temperature	Operation: 0 ÷ 50°C Storage: -10 ÷ 60°C (no condensation or freezing)	
Relative humidity	Operation/storage: 35 ÷ 85% RH (no condensation)	
Vibrations	Total amplitude 1.5mm or 10G 10Hz-55Hz-10Hz scan for 1 minute 2 hours for each direction of X, Y and Z	
Shock	100 m/s ² (10G) 3 times for each direction of X, Y and Z	
Changes due to temperature	≤ ± 2% F.S. of detected pressure (25°C) within the operating temperature range	
Pneumatic connections ports	G1/4 - M5 or G1/8 - M5	
FOR BATTERY-POWERED PRESSURE GAUGES ONLY		
Battery: Type	CR 2032 lithium	
Life	1 year (5 times/day)	
Low-power indicator	Yes	
Replacement	Yes	
Turn-on interval	Display turns off after 60 seconds	
FOR PRESSURE GAUGES WITH POWER SUPPLY CABLE ONLY		
Supply voltage	from 12 to 28 V DC±10% Ripple	
Power consumption	10 mA	
Maximum voltage	1000V AC in 1-min (between the casing and the cables)	
Isolation resistance	50 Mohm min (at 500 V DC, between the casing and the cables)	
Electrical connection: for pressure gauges PG...-2	Unshielded 2-pole cable, length 2 m	
for pressure gauges PG...-M	Connection with M8 4-pole connector	

CODING EXAMPLE

PG	010	-	P	B	-	1/8	-	2
-----------	------------	----------	----------	----------	----------	------------	----------	----------

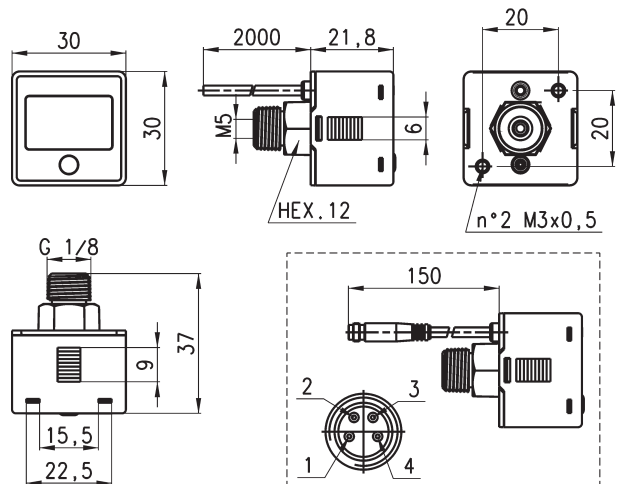
PG	SERIES
010	BOTTOM SCALE: 010 = 10 bar 001 = -1 bar
P	PRESSURE RANGE: P = pressure V = vacuum
B	LIGHTING: B = back light
1/8	PNEUMATIC CONNECTIONS: 1/8 = G 1/8 BSPP; M5 1/4 = G 1/4 BSPP; M5 (for battery-powered version only)
2	ELECTRICAL CONNECTION (for version with cable only): 2 = with unshielded 2-pole cable of 2 m M = with cable of 150 mm and M8 4-pole connector

Series PG digital pressure gauges - battery-powered



Mod.
PG010-PB-1/8
PG001-VB-1/8
PG010-PB-1/4
PG001-VB-1/4

Series PG digital pressure gauges - with cable



Mod.

PG010-PB-1/8-2

PG001-VB-1/8-2

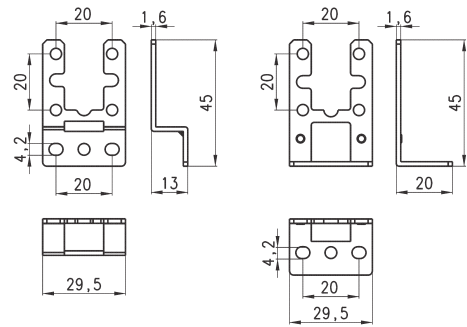
PG010-PB-1/8-M

PG001-VB-1/8-M

Mounting brackets Mod. PG-B



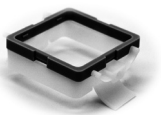
Supplied with:
 1x bracket type A
 1x bracket type B
 2x screws M3x6



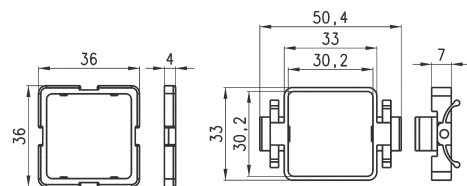
Mod.

PG-B

Panel mounting adapter Mod. PG-F



Supplied with:
 1x adapter type A
 1x adapter type B



Mod.

PG-F