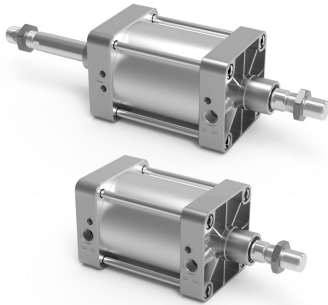


# CYLINDERS

## SERIES 40K

Double acting, cushioned, magnetic  
Ø 160 - 200 - 250 - 320 mm



- In compliance with ISO 15552 standard and with the previous DIN/ISO 6431 - VDMA 24562 standard
- Adjustable pneumatic cushioning
- Rolled stainless steel rod (Ø 160 - 200 mm)
- Chrome plated steel rod (Ø 250 - 320 mm)
- Rod scraper in brass (Ø 160 - 200 mm)

Series 40K cylinders comply with the ISO 15552 standard and can be assembled with the entire range of standard accessories. A permanent magnet on the piston of these cylinders is able to send, through proximity switches mounted on the cylinder sliding axis, electrical signals to indicate its position.

This series is normally equipped with end-stroke cushioning which can be adjusted through a screw on the end block.

### GENERAL DATA

<b>Type of construction</b>	with tie-rods
<b>Operation</b>	double-acting
<b>Design</b>	ISO 15552
<b>Materials</b>	coated AL end blocks AL piston rolled AISI 420B stainless steel (Ø 160-200 mm) or chrome plated steel (Ø250-320 mm) rod, zinc-plated steel rod nut, anodized AL tube, zinc-plated steel tie-rods and tie-rod nuts, NBR-PU rod - piston and cushion seals, brass rod scraper ring
<b>Mounting</b>	front flange, rear flange, foot mounts, centre trunnion, front and rear trunnion
<b>Strokes min - max</b>	10 ÷ 2500 mm
<b>Operating temperature</b>	0°C ÷ 80°C (with dry air -20°C)
<b>Operating pressure</b>	1 ÷ 10 bar
<b>Speed</b>	10 ÷ 500 mm/sec (without load) ATEX version Ø 160 - 200 10 ÷ 500 mm/sec Ø 250 10 ÷ 400 mm/sec Ø 320 10 ÷ 300 mm/sec
<b>Fluid</b>	filtered air, without lubrication. If lubricated air is used, it is recommended to use oil ISOVG32. Once applied the lubrication should never be interrupted.

## CYLINDERS

**SERIES 40K - STANDARD STROKES**
**STANDARD STROKES**

■ = double-acting

∅	50	80	100	150	200	300	400	500
160	■	■	■	■	■	■	■	■
200	■	■	■	■	■	■	■	■
250	■	■	■	■	■	■	■	■
320	■	■	■	■	■	■	■	■

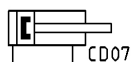
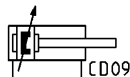
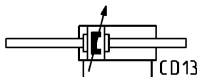
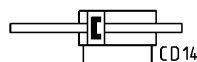
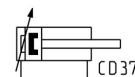
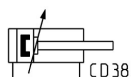
**CODING EXAMPLE**

40	K	2	L	160	A	0200
----	---	---	---	-----	---	------

<b>40</b>	SERIES	
<b>K</b>	VERSION K = standard, magnetic	
<b>2</b>	OPERATION 2 = double-acting, front and rear cushions 3 = double-acting, no cushion 4 = double-acting, rear cushions 5 = double-acting, front cushion 6 = double-acting, through-rod, front and rear cushions 8 = double-acting, through-rod, no cushion	PNEUMATIC SYMBOLS CD09 CD07 CD37 CD38 CD13 CD14
<b>L</b>	MATERIALS L = see the GENERAL DATA table on the previous page T = AISI 420B stainless steel tie-rods - AISI 303 stainless steel tie-rod nuts C = rolled AISI 303 stainless steel piston rod, AISI 304 stainless steel piston rod nut U = AISI 303 rolled stainless steel piston rod, AISI 304 stainless steel piston-rod nut AISI 420B stainless steel tie-rods, AISI 303 stainless steel tie-rod nuts W = AISI 304 rolled stainless steel piston rod, AISI 304 stainless steel piston-rod nut AISI 420B stainless steel tie-rods, AISI 303 stainless steel tie-rod nuts  Note: the rod of cylinders with bore of 250 and 320 mm is in C45E chrome plated steel.	
<b>160</b>	BORE 160 = 160 mm - 200 = 200 mm - 250 = 250 mm - 320 = 320 mm	
<b>A</b>	TYPE OF BRACKET A = standard    F = cylinder with centre trunnion	
<b>0200</b>	STROKE (see the table)  = standard V = FKM rod seals W = all FKM seals +130°C C = PU coated. Colour: Grey [available on request] G = with brass rod scraper (chrome plated AISI 420B stainless steel rod, NBR rod seal) [ ∅ 250 and 320 excluded ] ( _ _ _ ) = extended piston rod _ _ _ mm	
	CERTIFICATIONS EX = ATEX	

**PNEUMATIC SYMBOLS**

The pneumatic symbols indicated in the CODING EXAMPLE are shown below.

**CD07**

**CD09**

**CD13**

**CD14**

**CD37**

**CD38**


**ACCESSORIES FOR SERIES 40K CYLINDERS**

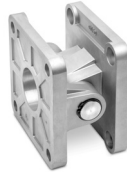
**Rear trunnion, male Mod. L**



**Self aligning rod Mod. GK**



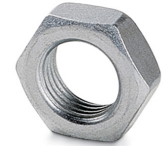
**Swivel Combination Mod. C+L+S**



**Female trunnion Mod. C-H**



**Piston rod lock nut Mod. U**



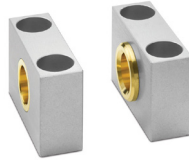
**Clevis pin Mod. S**



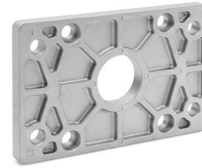
**90° Swivel combination Mod. ZS**



**Counter bracket for trunnion Mod. BF**



**Front and rear flange Mod. D-E**



**Rod fork end Mod. G**



**Centre trunnion Mod. F**



**Foot mount Mod. B**



**Magnetic proximity switch Mod. CST**



**Magnetic proximity switch Mod. CSH**



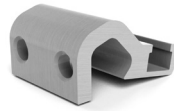
**Proximity switch Mod. CSN**



**Adapter Mod. S-CST-29 for CSH-CSG**



**Adapter Mod. S-CST-28 for CST-CSH-CSG**



**Adapter Mod. S21 for CSN**



**Proximity switches Mod. CSG**



All accessories are supplied separately, except for piston rod lock nut Mod. U.

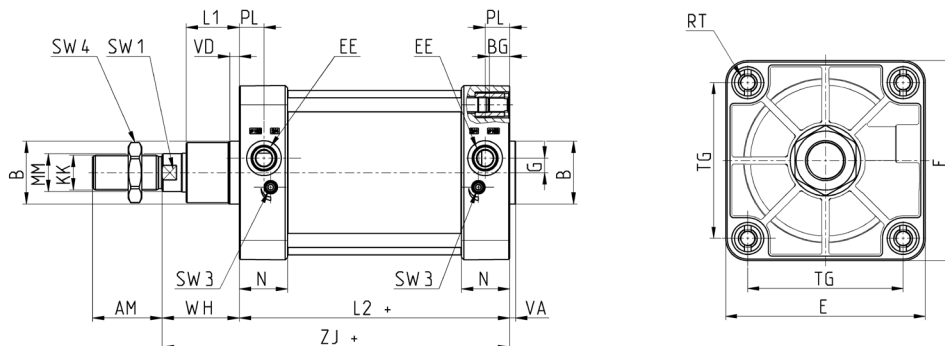
CYLINDERS

**SERIES 40K - DIMENSIONAL CHARACTERISTICS**

**Series 40K cylinders**

ATTUAZIONE PNEUMATICA

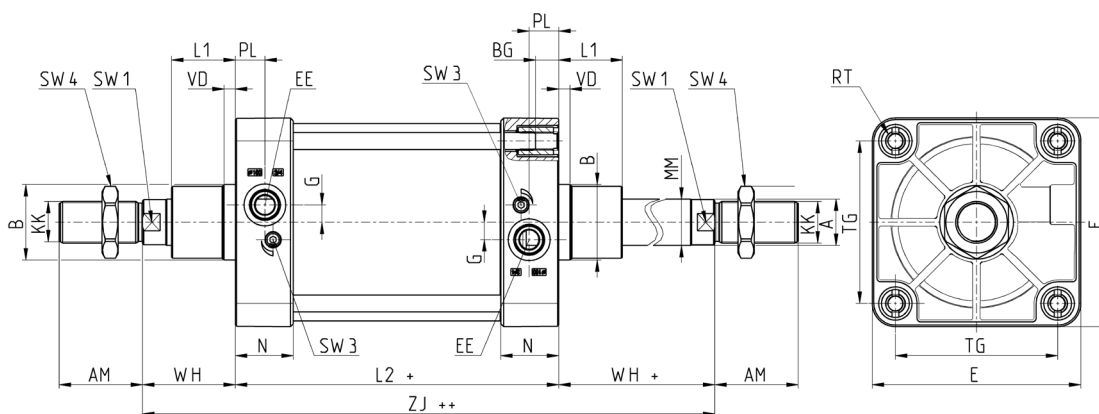
**1**



+ = add the stroke

∅	gMM	KK	gB	PL	G	L1	AM	VA	EE	WH	L2+	ZJ+	VD	N	RT	BG	TG	E	SW1	SW3	SW4	Cushion stroke
160	40	M36x2	65	25,5	15	55	72	6	G3/4	80	180	260	10	50	M16	24	140	180	36	4	55	48
200	40	M36x2	75	25,5	15	65	72	8	G3/4	95	180	275	25	50	M16	24	175	220	36	4	55	33
250	50	M42x2	90	30	25	75	84	8	G1	105	200	305	25	60	M20	25	220	270	46	6	65	50
320	63	M48x2	110	30	35	90	96	10	G1	120	220	340	25	65	M24	28	270	350	55	6	75	48

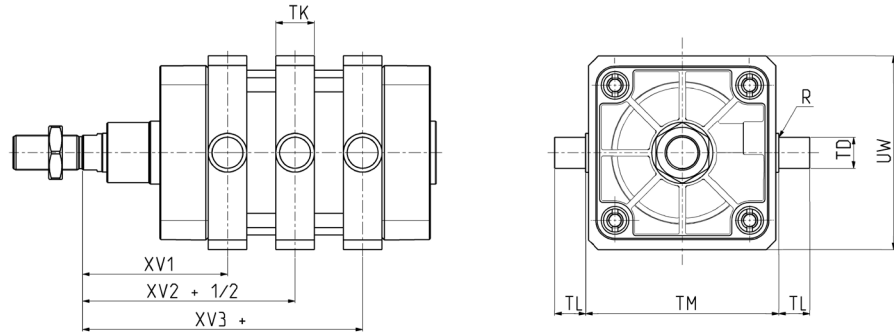
**Series 40K cylinders - through-rod**



+ = add the stroke once  
++ = add the stroke twice

∅	gMM	KK	gB	PL	G	L1	AM	VA	EE	WH	L2+	ZJ+	VD	N	RT	BG	TG	E	SW1	SW3	SW4	Cushion stroke
160	40	M36x2	65	25,5	15	55	72	6	G3/4	80	180	260	10	50	M16	24	140	180	36	4	55	33
200	40	M36x2	75	25,5	15	65	72	8	G3/4	95	180	275	25	50	M16	24	175	220	36	4	55	48
250	50	M42x2	90	30	25	75	84	8	G1	105	200	305	25	60	M20	25	220	270	46	6	65	48
320	63	M48x2	110	30	35	90	96	10	G1	120	220	340	25	65	M24	28	270	350	55	6	75	50

**Series 40K cylinders with trunnion Mod. F assembled**



+ = add the stroke  
 + 1/2 = add half the stroke

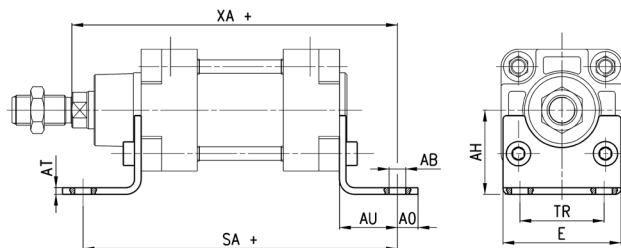
Mod.	∅	XV1	XV2+1/2	XV3 +	TM	TK	TD	TL	UW	R	NOTE
F-160	160	150	170	190	200	40	32	32	190	2	
F-200	200	165	185	205	250	40	32	32	240	2	
F-250	250	190	205	220	320	50	40	40	300	-	fixing with 4 threaded tie-rods
F-320	320	220	230	240	400	70	50	50	400	-	fixing with 4 threaded tie-rods

CYLINDERS  
**SERIES 40K - ACCESSORIES**
**Foot mount Mod. B**

ATTUAZIONE PNEUMATICA


 Supplied with:  
 2x foot mounts in black-painted steel (cataphoresis)  
 4x white zinc-plated screws

 For diameters 250 and 320  
 white zinc-plating

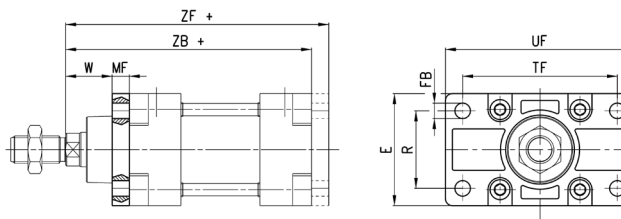
**1**


+ = add the stroke

Mod.	Ø	AT	SA +	XA +	TR	E	øAB	AH	AO	AU
B-41-160	160	10	300	320	115	175	18,5	115	25	60
B-41-200	200	12	320	345	135	238	24	135	35	70
B-41-250	250	14	350	380	165	270	26	165	25	75
B-41-320	320	20	390	425	200	353	35	200	45	85

**Front and rear flange Mod. D-E**

 Material:  
 zinc-plated steel for Ø 250;  
 aluminium for Ø 160 +  
 Ø 200;  
 stainless steel 304 for Ø 320

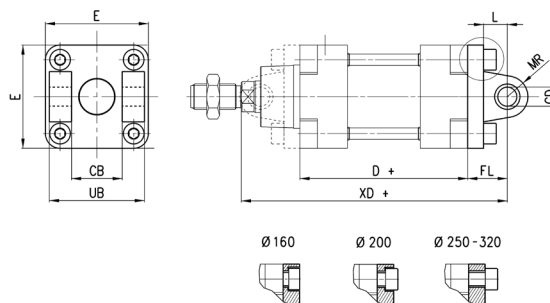
 Supplied with:  
 1x flange  
 4x screws


+ = add the stroke

Mod.	Ø	W	MF	ZB +	TF	R	UF	E	øFB	ZF +	Material
D-E-41-160	160	60	20	260	230	115	260	180	18	280	aluminium
D-E-41-200	200	70	25	275	270	135	300	220	22	300	aluminium
D-E-41-250	250	80	25	305	330	165	400	285	26	330	zinc-plated steel
D-E-41-320	320	90	30	340	400	200	470	350	33	370	stainless steel 304

**Front and rear female trunnion Mod. C-H**

 Material:  
 aluminium

 Supplied with:  
 1x female trunnion  
 4x screws


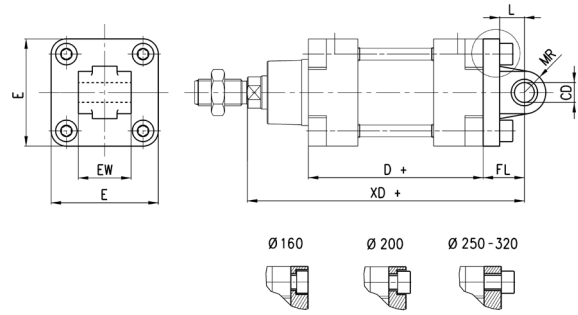
Mod.	Ø	øCD	L	FL	D +	XD +	MR	E	CB	UB
C-H-41-160	160	30	35	55	180	315	25	180	90	169
C-H-41-200	200	30	35	60	180	334	25	220	90	169
C-H-41-250	250	40	45	70	200	375	40	270	110	200
C-H-41-320	320	45	50	80	220	420	45	350	120	220

### Rear male trunnion Mod. L



Material:  
aluminium

Supplied with:  
1x male trunnion  
4x screws



ATTUAZIONE PNEUMATICA

1

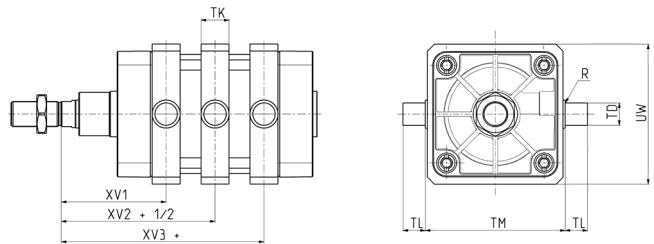
+ = add the stroke

Mod.	Ø	CD	L	FL	XD +	MR	E	EW
L-41-160	160	30	35	55	315	25	180	90
L-41-200	200	30	35	60	335	25	220	90
L-41-250	250	40	45	70	375	40	270	110
L-41-320	320	45	50	80	420	45	350	110

### Centre trunnion Mod. F



Material:  
zinc-plated steel (Ø 160  
and 200)



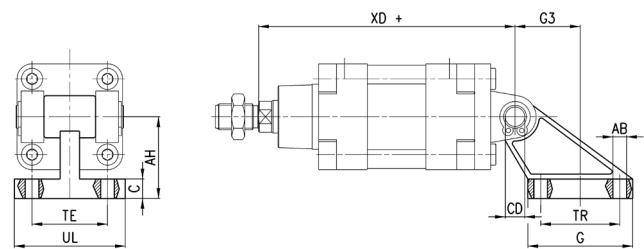
+ = add the stroke

Mod.	Ø	XV1	XV + 1/2	XV3 +	TM	TK	TD	TL	UW	R
F-160	160	150	170	190	200	40	32	32	190	2
F-200	200	165	185	205	250	40	32	32	240	2

### 90° Swivel combination Mod. ZS\*



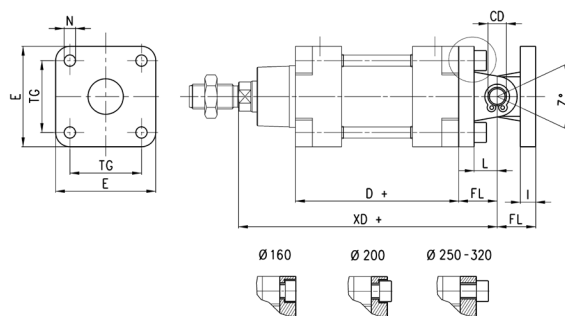
Supplied with:  
1x aluminium swivel  
combination 45°



+ = add the stroke

Mod.	Ø	TE	TR	AB	AH	C	G	CD	UL	XD +	G3*
ZS-160N	160	118	88	14	115	20	126	30	156	315	53
ZS-200N	200	122	90	18	135	25	130	30	162	335	60

## Swivel combination Mod. C+L+S

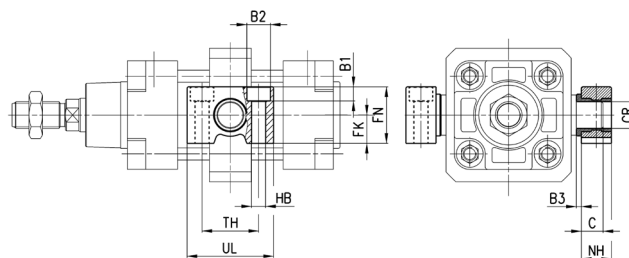

 Material:  
 aluminium


+ = add the stroke

Mod.	Ø	E	TG	gN	D +	XD +	gCD	L	FL	I	Z° (max)
C+L+S	160	180	140	18	180	315	30	35	55	20	25
C+L+S	200	220	175	18	180	335	30	35	60	25	20
C+L+S	250	270	220	22	200	375	40	45	70	25	33
C+L+S	320	350	270	30	220	420	40	50	80	30	30

## Counter bracket for centre trunnion Mod. BF


 Material:  
 aluminium

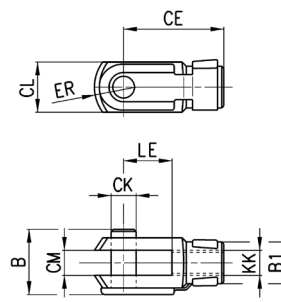
 Supplied with:  
 2x supports


Mod.	Ø	gCR	NH	C	B3	TH	UL	FK	FN	B1	gB2	gHB
BF-160-200	160-200	32	40	22,5	5	60	92	30	60	16	26	18

## Rod fork end Mod. G



ISO 8140

 Material:  
 zinc-plated steel


Mod.	Ø	gCK	LE	CM	CL	ER	CE	KK	B	gB1
G-160-200	160-200	35	72	35	70	44	144	M36x2	92	60
G-250	250	40	84	40	85	-	168	M42x2	96	70
G-320	320	50	96	50	90	73	192	M48x2	120	80



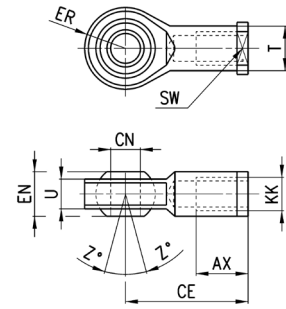
### Swivel ball joint Mod. GA



ISO 8139

Material:  
zinc-plated steel

Mod.	∅	∅CN	U	EN	ER	AX	CE	KK	gT	Z	SW
GA-160-200	160-200	35	28	43	40	56	125	M36x2	46	6	50
GA-250	250	40	33	49	-	60	142	M42x2	55	17	55
GA-320	320	50	45	60	58.5	65	160	M48x2	65	12	65



ATTUAZIONE PNEUMATICA

1

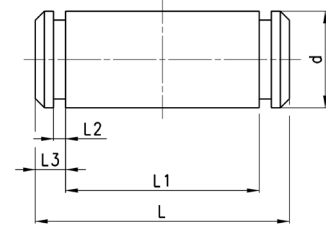
### Clevis pin Mod. S



Materials:  
Stainless steel Clevis pin,  
Steel Seeger

Supplied with:  
1x clevis pin  
2x seeger in steel

Mod.	∅	d	L	L1	L2	L3
S-160-200	160-200	30	180,5	172	1,6	4,25
S-250	250	40	210	202	1,85	4,5
S-320	320	45	236	222	1,85	7



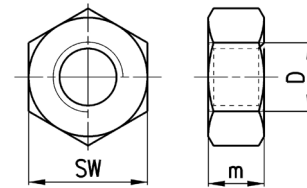
### Piston rod lock nut Mod. U



UNI EN ISO 4035

Material:  
zinc-plated steel

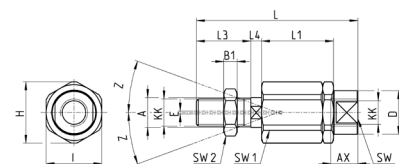
Mod.	∅	D	m	SW
U-160-200	160-200	M36x2	14	55
U-250	250	M42x2	16	65
U-320	320	M48x2	24	75



### Self aligning rod Mod. GK

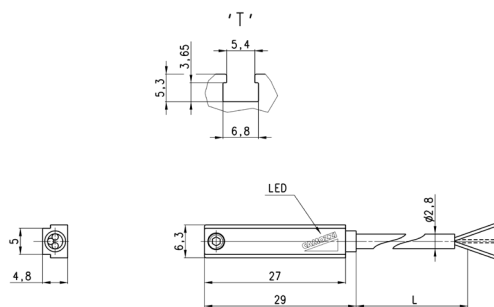


Material:  
zinc-plated steel



Mod.	∅	KK	L	L1	L3	L4	A	D	H	I	SW	SW1	SW2	B1	AX	Z	E
GK-160-200	160-200	M36x2	190	77	72	15.5	39	57	75	70	54	32	55	14	68	4	2

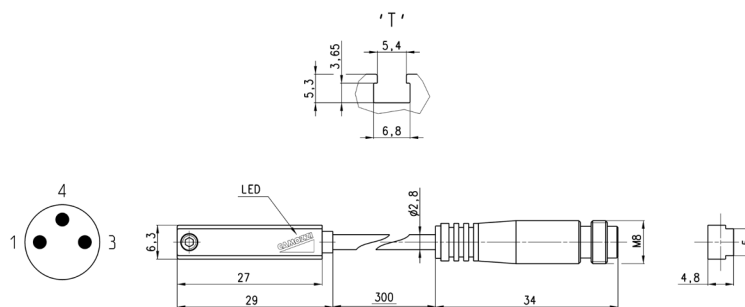
## Magnetic proximity switches with 2- or 3-wire cable for T-slot



Mod.	Operation	Connections	Voltage	Output	Max. current	Max Load	Protection	L = length cable
CST-220	Reed	2 wires	10 ÷ 110 V AC/DC-230 V AC	-	250 mA	10 VA / 8 W	None	2 m
CST-220-5	Reed	2 wires	10 ÷ 110 V AC/DC-230 V AC	-	250 mA	10 VA / 8 W	None	5 m
CST-220-12	Reed	2 wires	10 ÷ 110 V AC/DC-230 V AC	-	250 mA	10 VA / 8 W	None	12 m
CST-220EX	Reed	2 wires	10 ÷ 110 V AC/DC-230 V AC	-	250 mA	10 VA / 8 W	None	2 m
CST-220-5EX	Reed	2 wires	10 ÷ 110 V AC/DC-230 V AC	-	250 mA	10 VA / 8 W	None	5 m
CST-220-12EX	Reed	2 wires	10 ÷ 110 V AC/DC-230 V AC	-	250 mA	10 VA / 8 W	None	12 m
CST-232	Reed	3 wires	5 ÷ 30 V AC/DC	PNP	250 mA	10 VA / 8 W	Against polarity reversing	2 m
CST-232-5	Reed	3 wires	5 ÷ 30 V AC/DC	PNP	250 mA	10 VA / 8 W	Against polarity reversing	5 m
CST-232EX	Reed	3 wires	5 ÷ 30 V AC/DC	PNP	250 mA	10 VA / 8 W	Against polarity reversing	2 m
CST-232-5EX	Reed	3 wires	5 ÷ 30 V AC/DC	PNP	250 mA	10 VA / 8 W	Against polarity reversing and overvoltage	5 m
CST-332	Magneto-resistive	3 wires	10 ÷ 27 V DC	PNP	100 mA	6 W	Against polarity reversing and overvoltage	2 m
CST-332-5	Magneto-resistive	3 wires	10 ÷ 27 V DC	PNP	100 mA	6 W	Against polarity reversing and overvoltage	5 m
CST-332EX	Magneto-resistive	3 wires	10 ÷ 27 V DC	PNP	100 mA	6 W	Against polarity reversing and overvoltage	2 m
CST-332-5EX	Magneto-resistive	3 wires	10 ÷ 27 V DC	PNP	100 mA	6 W	Against polarity reversing and overvoltage	5 m
CST-432	Reed	3 wires	5 ÷ 30 V AC/DC	PNP-NC	250 mA	10 VA / 8 W	Against polarity reversing	2 m
CST-432-5	Reed	3 wires	5 ÷ 30 V AC/DC	PNP-NC	250 mA	10 VA / 8 W	Against polarity reversing	5 m
CST-432EX	Reed	3 wires	5 ÷ 30 V AC/DC	PNP-NC	250 mA	10 VA / 8 W	Against polarity reversing	2 m
CST-432-5EX	Reed	3 wires	5 ÷ 30 V AC/DC	PNP-NC	250 mA	10 VA / 8 W	Against polarity reversing	5 m
CST-532	Hall effect	3 wires	10 ÷ 27 V DC	PNP	100 mA	6 W	Against polarity reversing and overvoltage	2 m
CST-532-5	Hall effect	3 wires	10 ÷ 27 V DC	PNP	100 mA	6 W	Against polarity reversing and overvoltage	5 m
CST-532EX	Hall effect	3 wires	10 ÷ 27 V DC	PNP	100 mA	6 W	Against polarity reversing and overvoltage	2 m
CST-532-5EX	Hall effect	3 wires	10 ÷ 27 V DC	PNP	100 mA	6 W	Against polarity reversing and overvoltage	5 m

Note for 2-wire switches Mod. CST-220, CST-220-5:  
 in case of polarity reversing the sensor will still be operating, but the LED diode won't turn on.

## Magnetic proximity switches with M8 3-pin connector for T-slot

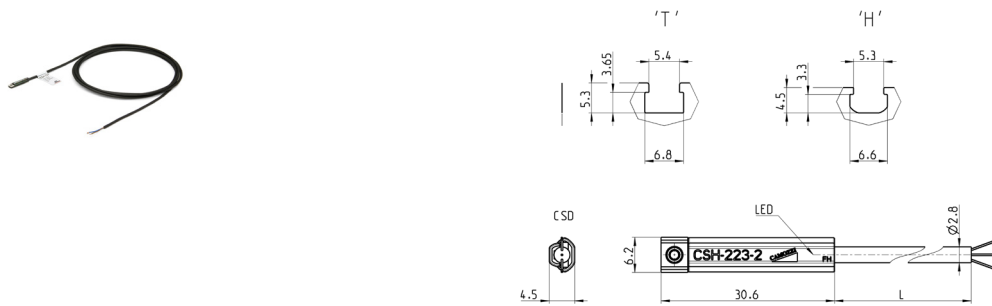


Cable length: 0,3 m

Mod.	Operation	Connection	Voltage	Output	Max. current	Max Load	Protection
CST-250N	Reed	2 wires M8 male 3 pin	10 ÷ 110 V AC/DC	-	250 mA	10 VA / 8 W	None
CST-250NEX	Reed	2 wires M8 male 3 pin	10 ÷ 110 V AC/DC	-	250 mA	10 VA / 8 W	None
CST-262	Reed	3 wires M8 male 3 pin	5 ÷ 30 V AC/DC	PNP	250 mA	10 VA / 8 W	Against polarity reversing
CST-262EX	Reed	3 wires M8 male 3 pin	5 ÷ 30 V AC/DC	PNP	250 mA	10 VA / 8 W	Against polarity reversing
CST-362	Magneto-resistive	3 wires M8 male 3 pin	10 ÷ 27 V DC	PNP	100 mA	6 W	Against polarity reversing and overvoltage
CST-362EX	Magneto-resistive	3 wires M8 male 3 pin	10 ÷ 27 V DC	PNP	100 mA	6 W	Against polarity reversing and overvoltage
CST-562	Hall effect	3 wires M8 male 3 pin	10 ÷ 27 V DC	PNP	100 mA	6 W	Against polarity reversing and overvoltage
CST-562EX	Hall effect	3 wires M8 male 3 pin	10 ÷ 27 V DC	PNP	100 mA	6 W	Against polarity reversing and overvoltage

Note for 2-wire switch Mod. CST-250N:  
 in case of polarity reversing the sensor will still be operating, but the LED diode won't turn on

## Magnetic proximity switches with 2- or 3-wire cable for H-slot



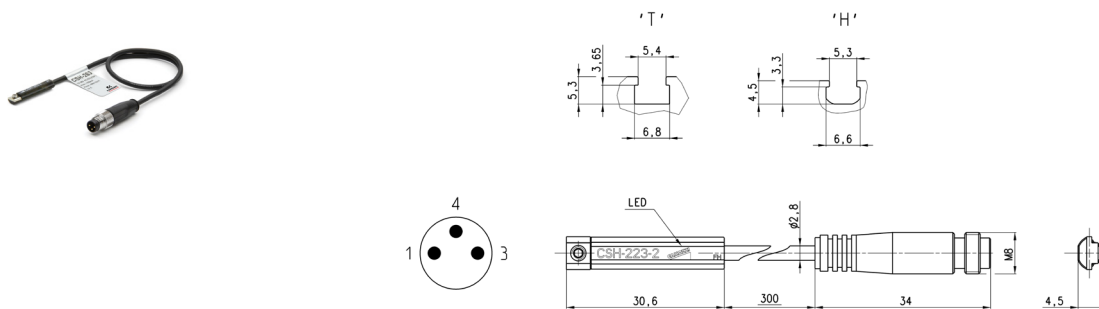
ATTUAZIONE PNEUMATICA

1

Mod.	Operation	Connection	Voltage	Output	Max. current	Max Load	Protection	L = cable length
CSH-223-2	Reed	2 wires	10 ÷ 30 V AC/DC	-	250 mA	10 VA / 8 W	Against polarity reversing	2 m
CSH-223-5	Reed	2 wires	10 ÷ 30 V AC/DC	-	250 mA	10 VA / 8 W	Against polarity reversing	5 m
CSH-223-10	Reed	2 wires	10 ÷ 30 V AC/DC	-	250 mA	10 VA / 8 W	Against polarity reversing and overvoltage	10 m
CSH-223-2EX	Reed	2 wires	10 ÷ 30 V AC/DC	-	250 mA	10 VA / 8 W	Against polarity reversing and overvoltage	2 m
CSH-223-5EX	Reed	2 wires	10 ÷ 30 V AC/DC	-	250 mA	10 VA / 8 W	Against polarity reversing	5 m
CSH-223-10EX	Reed	2 wires	10 ÷ 30 V AC/DC	-	250 mA	10 VA / 8 W	Against polarity reversing	10 m
CSH-221-2	Reed	2 wires	30 ÷ 230 V AC - 30 ÷ 110 V DC	-	250 mA	10 VA / 8 W	Against polarity reversing	2 m
CSH-221-5	Reed	2 wires	30 ÷ 230 V AC - 30 ÷ 110 V DC	-	250 mA	10 VA / 8 W	Against polarity reversing	5 m
CSH-221-2EX	Reed	2 wires	30 ÷ 230 V AC - 30 ÷ 110 V DC	-	250 mA	10 VA / 8 W	Against polarity reversing	2 m
CSH-221-5EX	Reed	2 wires	30 ÷ 230 V AC - 30 ÷ 110 V DC	-	250 mA	10 VA / 8 W	Against polarity reversing	5 m
CSH-233-2	Reed	3 wires	10 ÷ 30 V AC/DC	PNP	250 mA	10 VA / 8 W	Against polarity reversing	2 m
CSH-233-5	Reed	3 wires	10 ÷ 30 V AC/DC	PNP	250 mA	10 VA / 8 W	Against polarity reversing	5 m
CSH-233-2EX	Reed	3 wires	10 ÷ 30 V AC/DC	PNP	250 mA	10 VA / 8 W	Against polarity reversing	2 m
CSH-233-5EX	Reed	3 wires	10 ÷ 30 V AC/DC	PNP	250 mA	10 VA / 8 W	Against polarity reversing	5 m
CSH-334-2	Magneto-resistive	3 wires	10 ÷ 27 V DC	PNP	250 mA	6 W	Against polarity reversing and overvoltage	2 m
CSH-334-5	Magneto-resistive	3 wires	10 ÷ 27 V DC	PNP	250 mA	6 W	Against polarity reversing and overvoltage	5 m
CSH-334-2EX	Magneto-resistive	3 wires	10 ÷ 27 V DC	PNP	250 mA	6 W	Against polarity reversing and overvoltage	2 m
CSH-334-5EX	Magneto-resistive	3 wires	10 ÷ 27 V DC	PNP	250 mA	6 W	Against polarity reversing and overvoltage	5 m
CSH-433-2	Reed NC	3 wires	10 ÷ 30 V AC/DC	PNP	250 mA	10 VA / 8 W	Against polarity reversing and overvoltage	2 m
CSH-433-5	Reed	3 wires	10 ÷ 30 V AC/DC	PNP-NC	250 mA	10 VA / 8 W	Against polarity reversing	5 m
CSH-433-2EX	Reed	3 wires	10 ÷ 30 V AC/DC	PNP-NC	250 mA	10 VA / 8 W	Against polarity reversing	2 m
CSH-433-5EX	Reed	3 wires	10 ÷ 30 V AC/DC	PNP-NC	250 mA	10 VA / 8 W	Against polarity reversing	5 m

Note for 2-wire switches Mod. CSH-223-2, CSH-223-5, CSH-221-2, CSH-221-5:  
in case of polarity reversing the sensor will still be operating, but the LED diode won't turn on.

## Magnetic proximity switches with M8 3-pin connector for H-slot

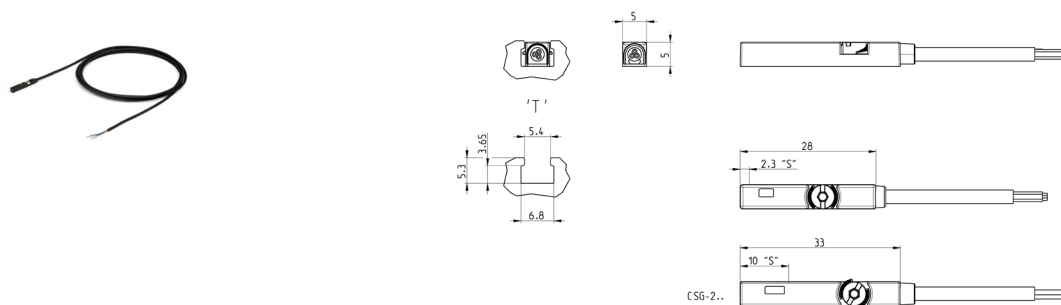


Cable length: 0,3 m

Mod.	Operation	Connection	Voltage	Output	Max. current	Max Load	Protection
CSH-253	Reed NO	2 wires M8 male 3 pin	10 ÷ 30 V AC/DC	-	250 mA	10 VA / 8 W	Against polarity reversing
CSH-253EX	Reed NO	2 wires M8 male 3 pin	10 ÷ 30 V AC/DC	-	250 mA	10 VA / 8 W	Against polarity reversing
CSH-263	Reed NO	3 wires M8 male 3 pin	10 ÷ 30 V AC/DC	PNP	250 mA	10 VA / 8 W	Against polarity reversing
CSH-263EX	Reed NO	3 wires M8 male 3 pin	10 ÷ 30 V AC/DC	PNP	250 mA	10 VA / 8 W	Against polarity reversing
CSH-364	Magneto-resistive	3 wires M8 male 3 pin	10 ÷ 27 V DC	PNP	250 mA	6 W	Against polarity reversing and overvoltage
CSH-364EX	Magneto-resistive	3 wires M8 male 3 pin	10 ÷ 27 V DC	PNP	250 mA	6 W	Against polarity reversing and overvoltage
CSH-463	Reed NC	3 wires M8 male 3 pin	10 ÷ 30 V AC/DC	PNP	250 mA	10 VA / 8 W	Against polarity reversing
CSH-463EX	Reed NC	3 wires M8 male 3 pin	10 ÷ 30 V AC/DC	PNP	250 mA	10 VA / 8 W	Against polarity reversing

Note for 2-wire switch Mod. CSH-253:  
in case of polarity reversing the sensor will still be operating, but LED diode won't turn on.

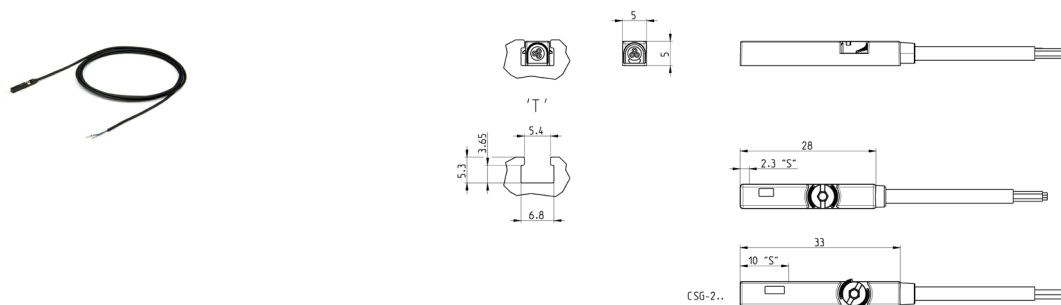
## Magnetic proximity switches, ATEX "II 3 GD" certified, T-slot, straight



Mod.	Operation	Connection	Voltage	Output	Max. current	Max Load	Protection	L = cable length (m)	LED colour
CSG-223-2-EX	Reed NO	2 wires	5 ÷ 30 V AC/DC	-	100 mA	3 W	IP67	2	Red
CSG-223-5-EX	Reed NO	2 wires	5 ÷ 30 V AC/DC	-	100 mA	3 W	IP67	5	Red
CSG-233-2-EX	Reed NO	3 wires	10 ÷ 30 V AC/DC	-	500 mA	10 W	IP67	2	Yellow
CSG-233-5-EX	Reed NO	3 wires	10 ÷ 30 V AC/DC	-	500 mA	10 W	IP67	5	Yellow
CSG-324-2-EX	Magneto resistive NO	2 wires	10 ÷ 28 V DC	-	50 mA	1,5 W	IP67	2	Red
CSG-324-5-EX	Magneto resistive NO	2 wires	10 ÷ 28 V DC	-	50 mA	1,5 W	IP67	5	Red
CSG-334-2-EX	Magneto resistive NO	3 wires	10 ÷ 28 V DC	PNP	200 mA	5,5 W	IP67	2	Yellow
CSG-334-5-EX	Magneto resistive NO	3 wires	10 ÷ 28 V DC	PNP	200 mA	5,5 W	IP67	5	Yellow
CSG-534-2-EX	Magneto resistive NO	3 wires	10 ÷ 28 V DC	NPN	200 mA	5,5 W	IP67	2	Red
CSG-534-5-EX	Magneto resistive NO	3 wires	10 ÷ 28 V DC	NPN	200 mA	5,5 W	IP67	5	Red
CSG-734-2-EX	Magneto resistive NC	3 wires	10 ÷ 28 V DC	NPN	200 mA	5,5 W	IP67	2	Red
CSG-734-5-EX	Magneto resistive NC	3 wires	10 ÷ 28 V DC	NPN	200 mA	5,5 W	IP67	5	Red
CSG-634-2-EX	Magneto resistive NC	3 wires	10 ÷ 28 V DC	PNP	200 mA	5,5 W	IP67	2	Yellow
CSG-634-5-EX	Magneto resistive NC	3 wires	10 ÷ 28 V DC	PNP	200 mA	5,5 W	IP67	5	Yellow

Note for 2-wire switches Mod. CSG-223-2-EX, CSG-223-5-EX, CSG-324-2-EX, CSG-324-5-EX:  
in case of polarity reversing the sensor will still be operating, but the LED diode won't turn on.

## Magnetic proximity switches, UL certified, T-slot, straight



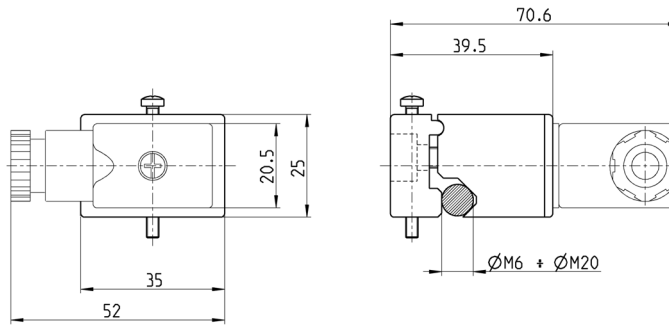
Mod.	Operation	Connection	Voltage	Output	Max. current	Max Load	Protection	L = cable length (m)	LED colour
CSG-223-2-UL	Reed	2 wires	5 ÷ 30 V AC/DC	-	60 mA	1,8 W	IP67	2	Red
CSG-223-5-UL	Reed	2 wires	5 ÷ 30 V AC/DC	-	60 mA	1,8 W	IP67	5	Red
CSG-223-10-UL	Reed	2 wires	5 ÷ 30 V AC/DC	-	60 mA	1,8 W	IP67	10	Red
CSG-233-2-UL	Reed	3 wires	10 ÷ 30 V AC/DC	-	100 mA	3 W	IP67	2	Yellow
CSG-233-5-UL	Reed	3 wires	10 ÷ 30 V AC/DC	-	100 mA	3 W	IP67	5	Yellow
CSG-233-10-UL	Reed	3 wires	10 ÷ 30 V AC/DC	-	100 mA	3 W	IP67	5	Yellow
CSG-324-2-UL	Magneto resistive	2 wires	10 ÷ 28 V DC	-	40 mA	1,2 W	IP67	2	Red
CSG-324-5-UL	Magneto resistive	2 wires	10 ÷ 28 V DC	-	40 mA	1,2 W	IP67	5	Red
CSG-334-2-UL	Magneto resistive	3 wires	10 ÷ 28 V DC	PNP	100 mA	3 W	IP67	2	Yellow
CSG-334-5-UL	Magneto resistive	3 wires	10 ÷ 28 V DC	PNP	100 mA	3 W	IP67	5	Yellow
CSG-534-2-UL	Magneto resistive	3 wires	10 ÷ 28 V DC	NPN	100 mA	3 W	IP67	2	Red
CSG-534-5-UL	Magneto resistive	3 wires	10 ÷ 28 V DC	NPN	100 mA	3 W	IP67	5	Red

Note for 2-wire switches Mod. CSG-223-2-UL, CSG-223-5-UL, CSG-324-2-UL, CSG-324-5-UL:  
in case of polarity reversing the sensor will still be operating, but the LED diode won't turn on.

### Mod.CSN proximity switches

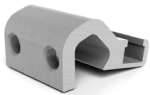


NOTE: the relating adapter S53 has to be ordered separately

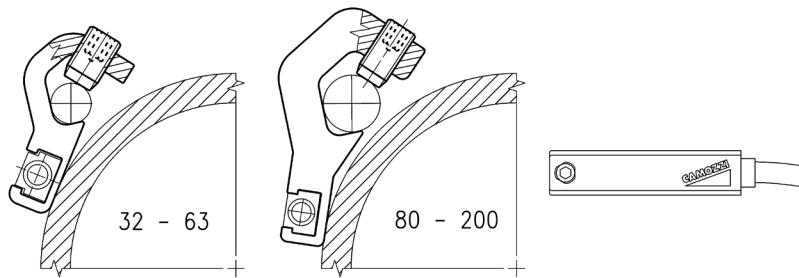


Mod.	Series	Ø
CSN 2032-0	40K	160-200

### Adapters Mod. S-CST-28 for Series CST-CSH-CSG proximity switches



Material: anodized aluminium

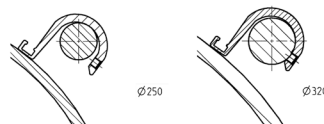


Mod.	Cylinders Series	Ø
S-CST-28	40K	160-200
S-CST-29	40K	250-320

### Adapters Mod. S-CST-29 for CSH-CSG proximity switches



Material: aluminium

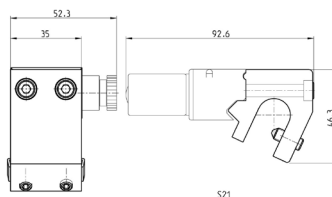


Mod.	Series	Ø
S-CST-29	40K	250-320

### Adapter Mod. S21 for CSN proximity switch



Material: aluminium

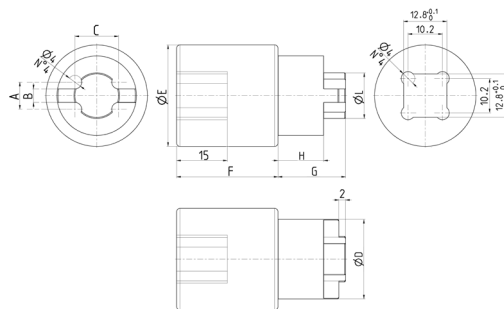


Mod.	Series	Ø
S21	40K	160-200

### Special key to disassemble cylinders S. 40K



Material: Steel



Mod.	Ø	A	B	C	ØD	ØE	F	G	H	ØL
160-200-40K/8C	160/200	8	4	12,9	23,5	30	30	20	13,5	13,5
250-40K/8C	250	9,5	5	16,6	31,5	30	27	24	16	17,5
320-40K/8C	320	9,5	5	20,3	35,5	32	27	24	16	21