

Hydraulic Quick Release Couplings - Technical Data

ISO 7241-1B

PBV1 Carbon Steel Range (500/50 Bar) Body sizes ISO 04 - 50

ISO B Norm

PBVM Brass Range (300/50 Bar) Body sizes ISO 04 - 50

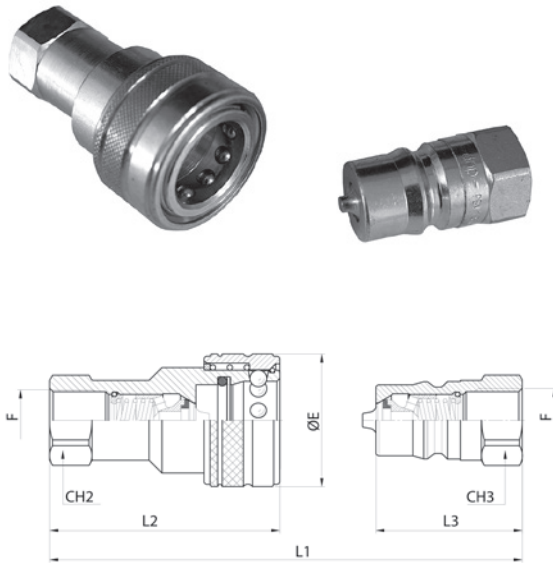
PBVX Stainless Steel Range (400/50 Bar) Body sizes ISO 04 - 50

These couplings are stocked in 1/8 - 2 BSP (NPT and UNF threads available on request).

Applications: The robust nature of these couplings make the suitable for the iron, steel, oil and automobile industry. They offer excellent flow characteristics.

PBV1 Steel - Quick Release Couplings

ISO B Norm



Technical Data

Threads

BSP

NPT available on request

Material

Main parts in carbon steel. Springs in AISI 302 and balls in AISI 316

Seals: Standards are in Nitrile. Other seals provided on request

Back-up Ring: In pure Teflon

Operating Temperature

NBR standard seals -25°C to +200°C

Special Requests

For assistance, contact our technical office or your local Camozzi distributor.

✓ Ex Stock

✎ UK Assembly

⊗ Please Call Sales Office

Nominal Size		Max Working Pressure (bar)	Rated Flow (l/min)	Max Flow Rate (l/min)	Min. Burst Pressure			Fluid Spillage (CC)
ISO	mm				Male (bar)	Female (bar)	Coupled (bar)	
5	4.2	500	3	9	2400	2300	2700	0.5
6.3	6.5	250	12	24	1100	1800	1000	1
10	8.5	250	23	46	1400	1400	1300	2.4
12.5	10.5	250	45	90	1100	1400	1100	3.9
20	15.8	250	106	220	1000	1300	1200	11
25	17.3	250	189	260	1000	1100	1000	19
40	36	200	379	757	800	800	800	95
50	50	100	757	1000	400	400	400	170

F	ISO	CH2	CH3	ØE	L1	L2	L3	Standard	Carrier Half Part Number	Probe Half Part Number
BSP 1/8	5	17	14	23	64.1	50.7	32	DIN 3852-2-X	PBV1.0404.002	✓ PBV1.0404.003 ✓
BSP 1/4	6.3	19	19	28	76.5	60	38	DIN 3852-2-X	PBV1.0606.002	✓ PBV1.0606.003 ✓
BSP 3/8	10	22	22	35	85.5	67.2	42.5	DIN 3852-2-X	PBV1.1010.002	✓ PBV1.1010.003 ✓
BSP 1/2	12.5	27	27	44	96.5	75.7	48	DIN 3852-2-X	PBV1.1313.002	✓ PBV1.1313.003 ✓
BSP 3/4	20	34	34	52	114.5	91.5	57	DIN 3852-2-X	PBV1.2019.002	✓ PBV1.2019.003 ✓
BSP 1	25	41	41	60	132	105.8	65.5	DIN 3852-2-X	PBV1.2525.002	✓ PBV1.2525.003 ✓
BSP 1 1/4	40	65	65	78.6	201.5	126.5	127	DIN 3852-2-X	PBV1.3931.002	✓ PBV1.3931.003 ✓
BSP 1 1/2	40	65	65	78.6	201.5	126.5	127	DIN 3852-2-X	PBV1.3939.002	⊗ PBV1.3939.003 ⊗
BSP 2	50	90	90	105	221	142	142	DIN 3852-2-X	PBV1.5051.002	⊗ PBV1.5051.003 ⊗