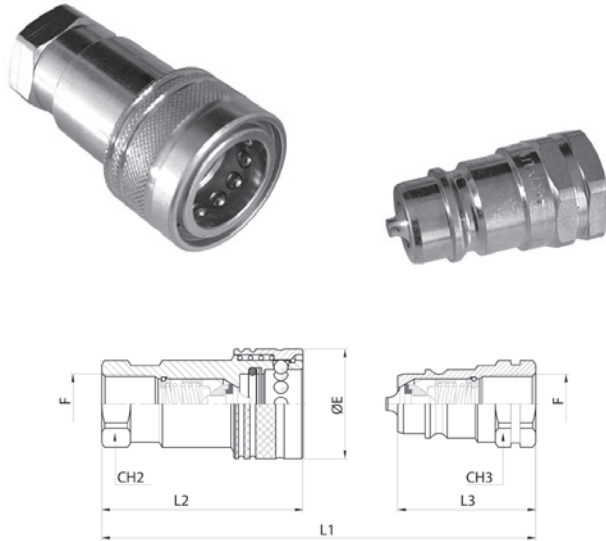


# PAV1 Standard Range - Hydraulic Quick Release Couplings

ISO A Norm

HYDRAULIC COUPLINGS



**Technical Data**

**Material**

See page 322

**Threads**

BSP and NPT

**Operating Temperature**

with NBR standard seals -25°C to +125°C

**Special Requests**

For assistance, contact our technical office or your local Camozzi distributor.

Other seal available on request.

- ✓ Ex Stock
- ✂ UK Assembly
- ⓞ Please Call Sales Office

Nominal Size		Max Working Pressure (bar)	Rated Flow (l/min)	Max Flow Rate (l/min)	Min. Burst Pressure			Fluid Spillage (CC)
ISO	mm				Male (bar)	Female (bar)	Coupled (bar)	
6.3	5	350	12	17	1500	1700	1400	0.5
10	8.5	350	23	46	1400	1500	1500	1.9
12.5	10.5	250	45	90	1000	1400	1200	2.7
20	15.8	250	106	190	900	1500	1000	9.3
25	17.3	250	189	280	1300	1300	1200	16
31.5	22.8	200	288	480	1100	850	1000	30
40	29.9	190	379	757	800	800	820	54
50	37.7	160	757	1000	650	960	1000	120

F	ISO	CH2	CH3	ØE	L1	L2	L3	Standard	Carrier Half Part Number		Probe Half Part Number	
BSP 1/4	6.3	19	19	25	70.5	49.2	35	DIN 3852-2-X	PAV1.0606.002	✓	PAV1.0606.003	✓
NPT 1/4	6.3	19	19	25	70.5	49.2	35	ANSI B1.20.3	PAV1.0606.012	✓	PAV1.0606.013	✓
BSP 3/8	10	22	22	30	85	60.5	42.5	DIN 3852-2-X	PAV1.1010.002	✓	PAV1.1010.003	✓
NPT 3/8	10	22	22	30	85	60.5	42.5	ANSI B1.20.3	PAV1.1010.012	ⓞ	PAV1.1010.013	ⓞ
BSP 1/2	12.5	27	27	35	98.5	70	48	DIN 3852-2-X	PAV1.1313.002	✓	PAV1.1313.003	✓
NPT 1/2	12.5	27	27	35	98.5	70	48	ANSI B1.20.3	PAV1.1313.012	ⓞ	PAV1.1313.013	ⓞ
BSP 3/4	20	34	34	45	114.5	84.3	57	DIN 3852-2-X	PAV1.2019.002	✓	PAV1.2019.003	✓
NPT 3/4	20	34	34	45	114.5	84.3	57	ANSI B1.20.3	PAV1.2019.012	ⓞ	PAV1.2019.013	ⓞ
BSP 1	25	41	41	52	135.5	101	67.5	DIN 3852-2-X	PAV1.2525.002	✓	PAV1.2525.003	✓
NPT 1	25	41	41	52	135.5	101	67.5	ANSI B1.20.3	PAV1.2525.012	ⓞ	PAV1.2525.013	ⓞ
BSP 1 1/4	31.5	50	50	70	150.6	117	75	DIN 3852-2-X	PAV1.3031.002	✓	PAV1.3031.003	✓
NPT 1 1/4	31.5	50	50	70	150.6	117	75	ANSI B1.20.3	PAV1.3031.012	ⓞ	PAV1.3031.013	ⓞ
BSP 1 1/2	40	60	60	82	167.3	133	63.5	DIN 3852-2-X	PAV1.3939.002	✓	PAV1.3939.003	✓
NPT 1 1/2	40	60	60	82	167.3	133	63.5	ANSI B1.20.3	PAV1.3939.012	ⓞ	PAV1.3939.013	ⓞ
BSP 2	50	75	75	99	217	169	108	DIN 3852-2-X	PAV1.5051.002	✓	PAV1.5051.003	✓
NPT 2	50	75	75	99	217	169	108	ANSI B1.20.3	PAV1.5051.012	ⓞ	PAV1.5051.013	ⓞ