

Series 3 valves and solenoid valves

2x3/2, 3/2, 5/2 and 5/3-way CC CO CP
Ports: G1/8 and G1/4



Series 3 solenoid valves with G1/8 and G1/4 ports have been designed in the 3/2, 2 x 3/2, 5/2, 5/3 versions and with the following two devices of actuation:

- Electropneumatically actuated with mechanical spring return
- Electropneumatically actuated with external and internal air pressure supply

Series 3 valves are equipped with a manual override which allows a stable operation and they can use Series U or G solenoids (22x22).

Pneumatically actuated valves 3/2 NC become NO when the supply is on connection 3.

GENERAL DATA

Construction	spool - type
Valve group	2x3/2 - 3/2 - 5/2 - 5/3-way CC CO CP
Materials	AL body, stainless steel spool, NBR seals
Ports	G1/8 - G1/4
Installation	in any position
Operating temperature	0 ÷ 60°C (with dry air at -20°C)
Operating pressure	see tables
Fluid	filtered air, without lubrication. If lubricated air is used, it is recommended to use ISOVG32 oil. Once applied the lubrication should never be interrupted.

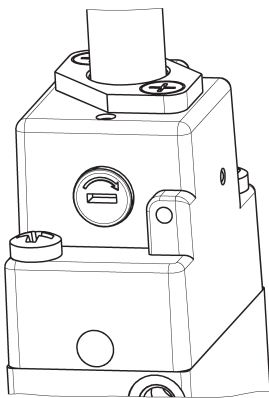
CODING EXAMPLE

3	3	8	D	-	015	-	02	IL	-	U7	7
----------	----------	----------	----------	----------	------------	----------	-----------	-----------	----------	-----------	----------

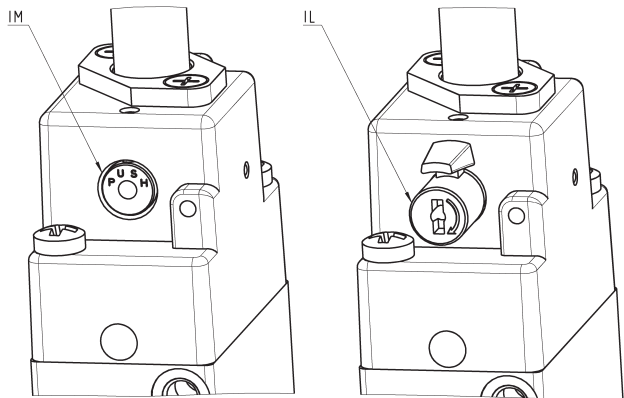
3	SERIES
3	NUMBER OF WAYS - POSITIONS: 3 = 3/2 NC 4 = 3/2 NO 5 = 5/2 6 = 5/3 CC 7 = 5/3 CO 8 = 5/3 CP 9 = 1x3/2 NC + 1x3/2 NO
8	PORTS: 8 = G1/8 4 = G1/4
D	VERSION: = standard D = double valve 2x3/2 L = for manifold assembly (only for solenoid valves 3/2 with G1/8 ports)
015	ACTUATION: 011 = double solenoid 015 = single solenoid, spring return 016 = single solenoid, pneumatic spring return E11 = double solenoid external servo-command E15 = single solenoid, external servo-command 033 = pneumatic pneumatic 035 = pneumatic spring
02	SOLENOID INTERFACE: 02 = mech. sol. 22 x 22
IL	TYPE OF MANUAL OVERRIDE: = bistable, standard IL = bistable, lever type (available on demand) IM = monostable (available on demand)
U7	ENCAPSULATING MATERIAL / SOLENOID DIMENSIONS: A8 = PPS / 30 x 30 G7 = PA / 22 x 22 G8 = PA / 30 x 30 (24 V DC only) G9 = PA / 22 x 58 H8 = PA 6 V0 / 30 x 30 U7 = PET / 22 x 22
7	SOLENOID VOLTAGE (see the dedicated section 2.35)

SERIES 3 VALVES AND SOLENOID VALVES

TYPES OF MANUAL OVERRIDE



Example of solenoid valve with a bistable standard manual override.

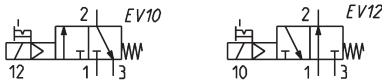
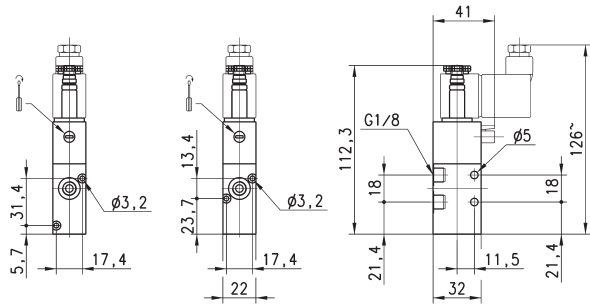


Example of solenoid monostable valve (IM) and bistable valve with a lever type manual override (IL).

3/2-way solenoid valve, G1/8, monostable - Mod. 338..., Mod 348...



These solenoid valves, which have electropneumatic actuation and spring return, are available in the NC (closed) or NO (open) version.

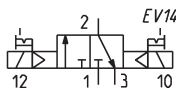
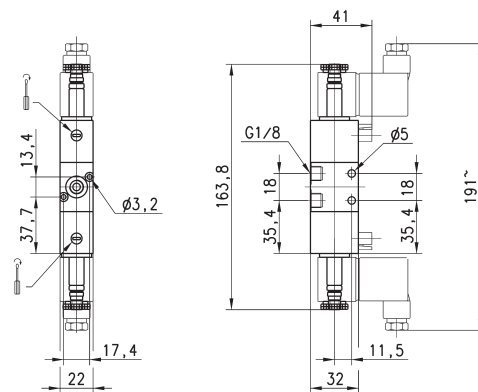


Mod.	Mounting	Function	Flow rate (NI/min)	Operating pressure (bar)	Symbol
338-015-02	in-line	3/2 NC	700	2,5 ÷ 10	EV10
338L-015-02	on manifold	3/2 NC	700	2,5 ÷ 10	EV10
348-015-02	in-line	3/2 NO	700	2,5 ÷ 10	EV12
348L-015-02	on manifold	3/2 NO	700	2,5 ÷ 10	EV12

3/2-way solenoid valve, G1/8, bistable - Mod. 338...

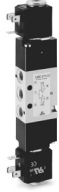


These solenoid valves, which have electropneumatic actuation and return, assume the NC (closed) or NO (open) position depending on the last pulse received.

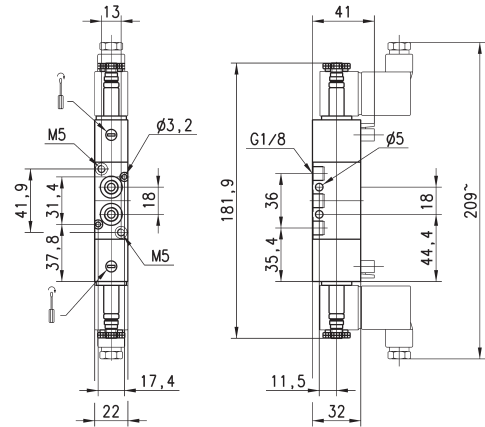
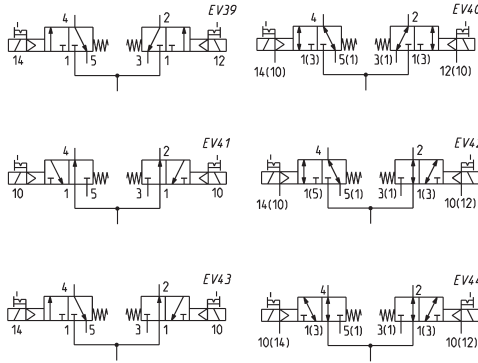


Mod.	Mounting	Function	Flow rate (NI/min)	Operating pressure (bar)
338-011-02	in-line	3/2	700	1,5 ÷ 10
338L-011-02	on manifold	3/2	700	1,5 ÷ 10

2 x 3/2-way solenoid valve, G1/8 - Mod. 338D..., 348D... e 398D...



These solenoid valves are available in versions with 2 x 3/2 valves in the same valve.

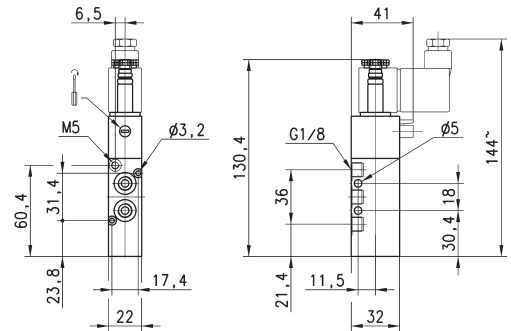
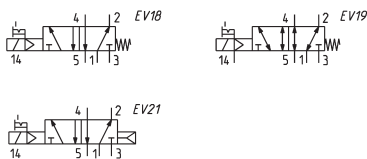


Mod.	Function	Flow rate (NL/min)	Operating pressure (bar)	Pilot pressure (bar)	Symbol
338D-015-02	2 x 3/2 NC	700	2,5 ÷ 10	-	EV39
348D-015-02	2 x 3/2 NO	700	2,5 ÷ 10	-	EV41
338D-E15-02	2 x 3/2 NC	700	-0,9 ÷ 10	2,5 ÷ 10	EV40
348D-E15-02	2 x 3/2 NO	700	-0,9 ÷ 10	2,5 ÷ 10	EV44
398D-015-02	1 x 3/2 NC + 1 x 3/2 NO	700	2,5 ÷ 10	-	EV43
398D-E15-02	1 x 3/2 NC + 1 x 3/2 NO	700	-0,9 ÷ 10	2,5 ÷ 10	EV42

5/2-way solenoid valve, G1/8, monostable - Mod. 358...



These solenoid valves with electropneumatic actuation and mechanical or pneumatic spring return are suitable for controlling double-acting cylinders.

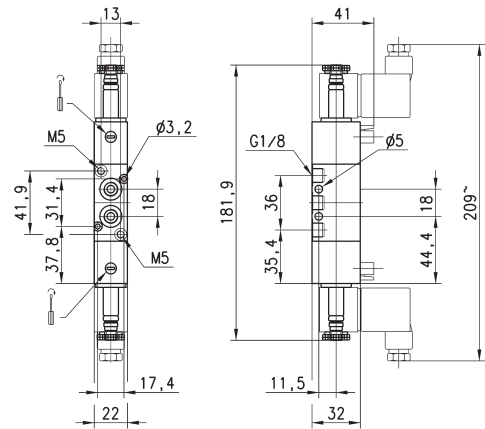


Mod.	Function	Flow rate (NL/min)	Operating pressure (bar)	Pilot pressure (bar)	Symbol
358-015-02	5/2	700	2,5 ÷ 10	-	EV18
358-E15-02	5/2	700	-0,9 ÷ 10	2,5 ÷ 10	EV19
358-016-02	5/2	700	2,5 ÷ 10	-	EV21

5/2-way solenoid valve, G1/8, bistable - Mod. 358...



These solenoid valves with electropneumatic actuation and return are suitable for controlling double-acting cylinders.

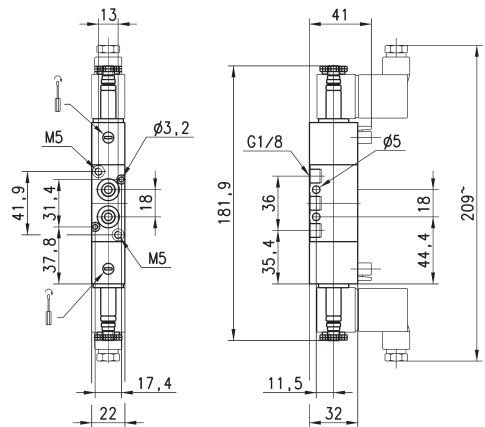
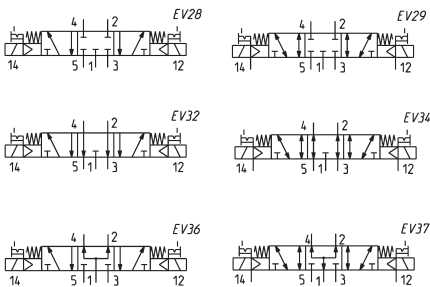


Mod.	Function	Flow rate (NL/min)	Operating pressure (bar)	Pilot pressure (bar)	Symbol
358-011-02	5/2	700	1,5 ÷ 10	-	EV23
358-E11-02	5/2	700	-0,9 ÷ 10	1,5 ÷ 10	EV25

5/3-way solenoid valve, G1/8, - Mod. 368... Mod. 378... Mod. 388...



CC = Centres Closed CO = Centres Open CP = Pressure Centres

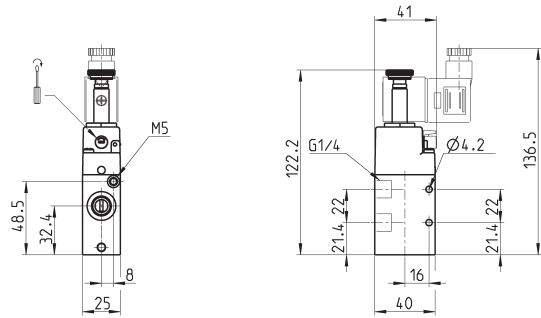
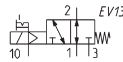
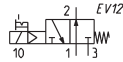
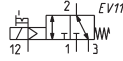
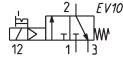


Mod.	Function	Flow rate (NL/min)	Operating pressure (bar)	Pilot pressure (bar)	Symbol
368-011-02	5/3 CC	700	2 ÷ 10	-	EV28
368-E11-02	5/3 CC	700	-0,9 ÷ 10	2 ÷ 10	EV29
378-011-02	5/3 CO	700	2-10	-	EV32
378-E11-02	5/3 CO	700	-0,9 ÷ 10	2 ÷ 10	EV34
388-011-02	5/3 CP	700	2 ÷ 10	-	EV36
388-E11-02	5/3 CP	700	-0,9 ÷ 10	2 ÷ 10	EV37

3/2-way solenoid valve, G1/4, monostable - Mod. 334... Mod 344...



These solenoid valves, which have electropneumatic actuation and spring return, are available in the NC (closed) or NO (open) version.

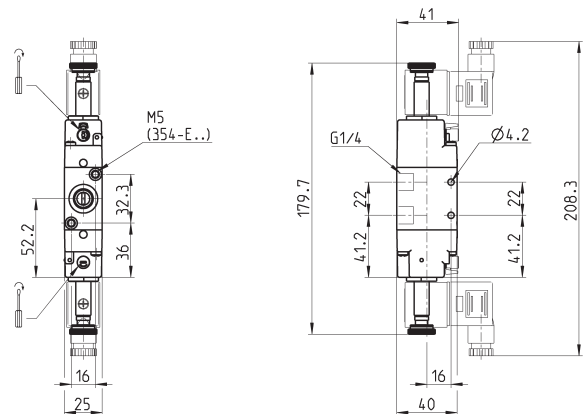
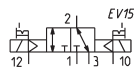
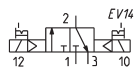


Mod.	Mounting	Function	Flow rate (NL/min)	Operating pressure (bar)	Pilot pressure (bar)	Symbol
334-015-02	in-line	3/2 NC	1300	2.5 ÷ 10	-	EV10
334-E15-02	in-line	3/2 NC	1300	-0.9 ÷ 10	2.5 ÷ 10	EV11
344-015-02	in-line	3/2 NO	1300	2.5 ÷ 10	-	EV12
344-E15-02	in-line	3/2 NO	1300	-0.9 ÷ 10	2.5 ÷ 10	EV13

3/2-way solenoid valve, G1/4, bistable - Mod. 334...



These solenoid valves, which have electropneumatic actuation and return assume the NC (closed) or NO (open) position depending on their last pulse received.

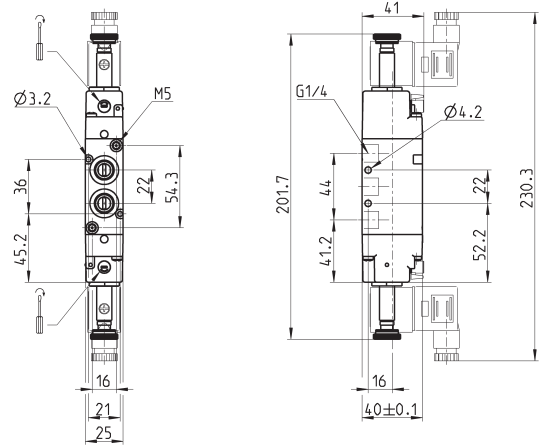
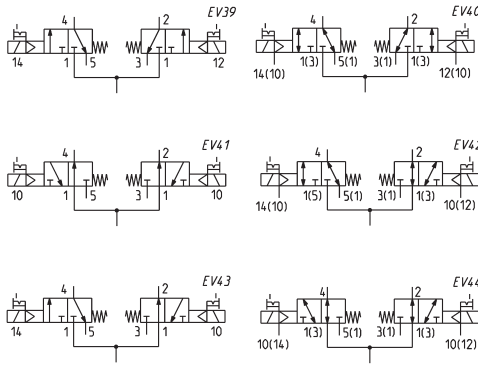


Mod.	Mounting	Function	Flow rate (NL/min)	Operating pressure (bar)	Pilot pressure (bar)	Symbol
334-011-02	in-line	3/2	1300	1.5 ÷ 10	-	EV14
334-E11-02	in-line	3/2	1300	1.5 ÷ 10	2.5 ÷ 10	EV15

2 x 3/2-way solenoid valve, G1/4 Mod. 334D... 344D... and 394D...



These solenoid valves are available in versions with 2 x 3/2 valves in the same valve.

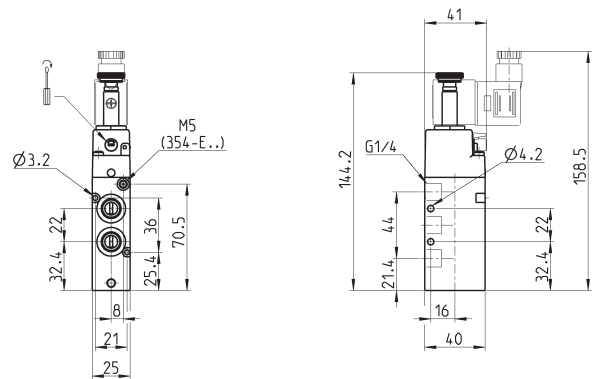
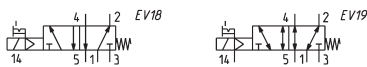


Mod.	Function	Flow rate (NI/min)	Operating pressure (bar)	Pilot pressure (bar)	Symbol
334D-015-02	2 x 3/2 NC	1200	2,5 ÷ 10	-	EV39
344D-015-02	2 x 3/2 NO	1050	2,5 ÷ 10	-	EV41
334D-E15-02	2 x 3/2 NC	1200	-0,9 ÷ 10	2,5 ÷ 10	EV40
344D-E15-02	2 x 3/2 NO	1050	-0,9 ÷ 10	2,5 ÷ 10	EV44
394D-015-02	1 x 3/2 NC + 1 x 3/2 NO	1050	2 ÷ 10	-	EV43
394D-E15-02	1 x 3/2 NC + 1 x 3/2 NO	1050	-0,9 ÷ 10	2,5 ÷ 10	EV42

5/2-way solenoid valve, G1/4, monostable - Mod. 354...



These solenoid valves, which have electropneumatic actuation and spring return, are suitable for operating double-acting cylinders.

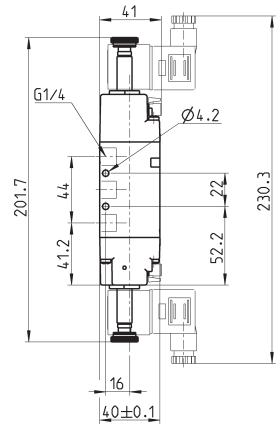
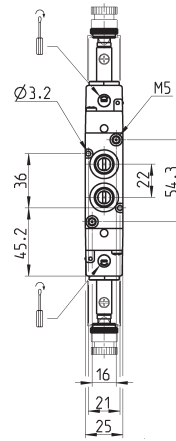
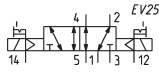
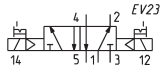


Mod.	Function	Flow rate (NI/min)	Operating pressure (bar)	Pilot pressure (bar)	Symbol
354-015-02	5/2	1300	2,5 ÷ 10	-	EV18
354-E15-02	5/2	1300	-0,9 ÷ 10	2,5 ÷ 10	EV19

5/2-way solenoid valve, G1/4, bistable - Mod. 354...



These solenoid valves, which have electropneumatic actuation and spring return, are suitable for operating double-acting cylinders.

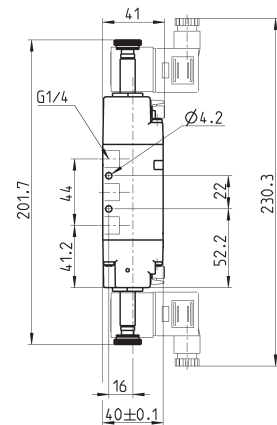
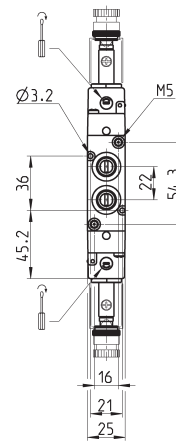
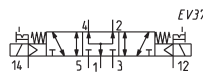
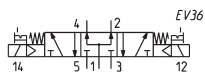
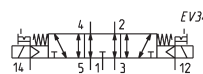
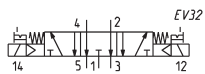
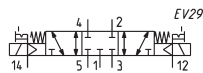
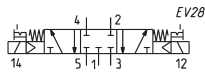


Mod.	Function	Flow rate (NL/min)	Operating pressure (bar)	Pilot pressure (bar)	Symbol
354-011-02	5/2	1300	1,5 ÷ 10	-	EV23
354-E11-02	5/2	1300	-0,9 ÷ 10	2,5 ÷ 10	EV25

5/3-way solenoid valve, G1/4, - Mod. 364... Mod. 374... Mod. 384...

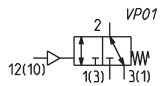
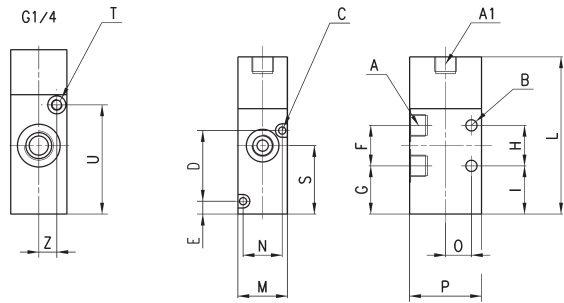


CC = Centres Closed CO = Centres Open CP = Pressure Centres



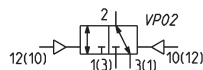
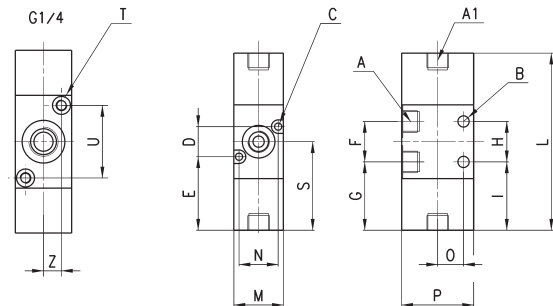
Mod.	Function	Flow rate (NL/min)	Operating pressure (bar)	Pilot pressure (bar)	Symbol
364-011-02	5/3 CC	1200	2,5 ÷ 10	-	EV28
364-E11-02	5/3 CC	1200	-0,9 ÷ 10	2,5 ÷ 10	EV29
374-011-02	5/3 CO	1200	2,5 ÷ 10	-	EV32
374-E11-02	5/3 CO	1200	-0,9 ÷ 10	2,5 ÷ 10	EV34
384-011-02	5/3 CP	1200	2,5 ÷ 10	-	EV36
384-E11-02	5/3 CP	1200	-0,9 ÷ 10	2,5 ÷ 10	EV37

3/2-way valve, G1/8 or G1/4, monostable



DIMENSIONS																								
Mod.	Mounting	Function	Flow rate (NL/min)	Min. pilot press. (bar)	Working press. (bar)	A	A1	B	C	D	E	F	G	H	I	L	M	N	O	P	S	T	U	Z
338-035	in-line	3/2 NC	700	2.5	-0.9 ÷ 10	G1/8	G1/8	5	3.2	-	5.7	18	21.4	18	21.4	69.8	22	-	11.5	32	30.4	-	-	-
338L-035	on manifold	3/2 NC	700	2.5	-0.9 ÷ 10	G1/8	G1/8	-	3.2	31.4	5.7	18	21.4	-	21.4	69.8	22	17.4	11.5	32	30.4	-	-	-
334-035	in-line	3/2 NC	1300	3	-0.9 ÷ 10	G1/4	-	4.1	-	-	-	22	21.4	22	21.4	73	25	-	16	40	32.4	M5	48.5	8

3/2-way valve, G1/8 or G1/4, bistable

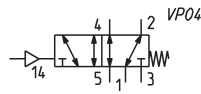
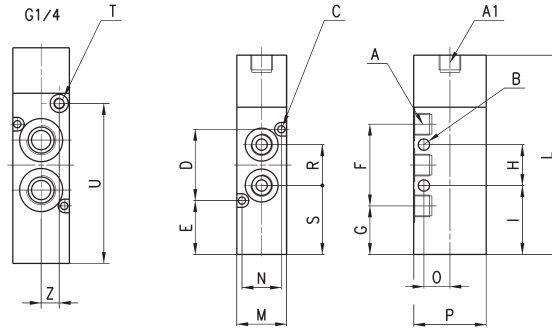


DIMENSIONS																								
Mod.	Mounting	Function	Flow rate (NL/min)	Min. pilot press. (bar)	Working press. (bar)	A	A1	B	C	D	E	F	G	H	I	L	M	N	O	P	S	T	U	Z
338-033	in-line	3/2	700	1.5	-0.9 ÷ 10	G1/8	G1/8	5	-	-	-	18	30.4	18	30.4	78.8	22	-	11.5	32	41.7	-	-	-
338L-033	on manifold	3/2	700	1.5	-0.9 ÷ 10	G1/8	G1/8	5	3.2	13.4	32.7	18	30.4	-	30.4	78.8	22	17.4	-	32	41.7	-	-	-
334-033	in-line	3/2	1300	2.5	-0.9 ÷ 10	G1/4	-	4.1	-	-	-	22	29.7	22	29.7	81.3	25	-	16	40	40.7	M5	32.3	8

5/2-way valve, G1/8 or G1/4, monostable



In-line or manifold mounting



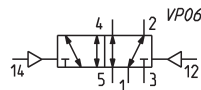
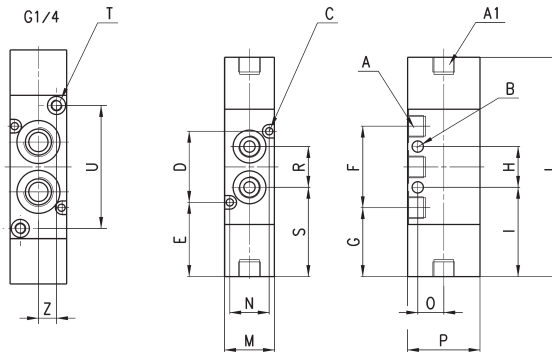
DIMENSIONS

Mod.	Function	Flow rate (NL/min)	min pilot press. (bar)	Working press. (bar)	A	A1	B	C	D	E	F	G	H	I	L	M	N	O	P	S	T	U	Z
358-035	5/2	700	2,5	-0,9 ÷ 10	G1/8	G1/8	5	3,2	31,4	23,8	36	21,4	18	30,4	87,8	22	17,4	11,5	32	30,4	-	-	-
354-035	5/2	1300	3	-0,9 ÷ 10	G1/4	-	4,1	3,2	36	25,4	44	21,4	22	30,4	95	25	21	16	40	32,4	M5	70,5	8

5/2-way valve, G1/8 or G1/4, bistable



In-line or manifold mounting



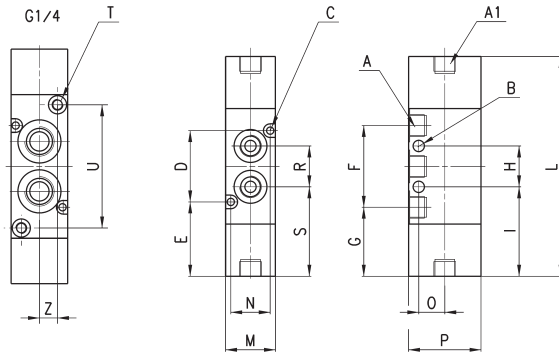
DIMENSIONS

Mod.	Function	Flow rate (NL/min)	min. pilot pressure (bar)	Working pressure (bar)	A	A1	B	C	D	E	F	G	H	I	L	M	N	O	P	S	T	U	Z
358-033	5/2	700	1,5	-0,9 ÷ 10	G1/8	G1/8	5	3,2	31,4	32,8	36	30,4	18	39,4	96,8	22	17,4	11,5	32	39,4	-	-	-
354-033	5/2	1300	2,5	-0,9 ÷ 10	G1/4	-	4,1	3,2	36	33,7	44	29,7	22	40,7	103,3	25	21	16	40	40,7	M5	54,3	8

5/3-way valve, G1/8 or G1/4



In-line or manifold mounting

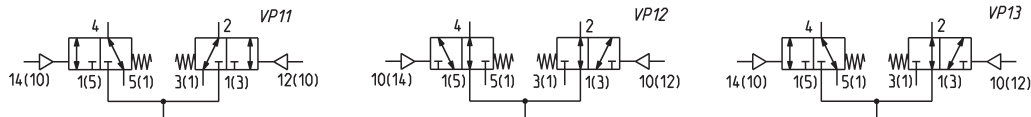
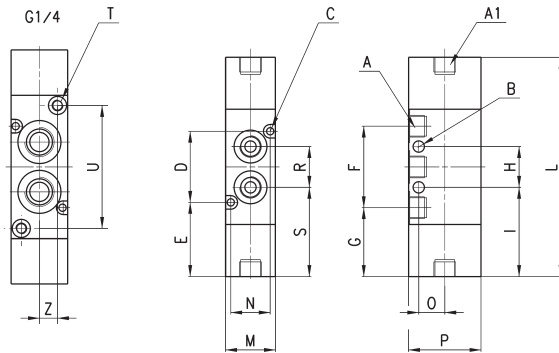


DIMENSIONS																								
Mod.	Function	Flow rate (NL/min)	Min. pilot pr. (bar)	Working pr. (bar)	A	A1	B	C	D	E	F	G	H	I	L	M	N	O	P	S	T	U	Z	Symb.
368-033	5/3 CC	700	2,5	-0,9 ÷ 10	G1/8	G1/8	5	3,2	31,4	32,8	36	30,4	18	39,4	96,8	22	17,4	11,5	32	39,4	-	-	-	VP08
364-033	5/3 CC	1200	2,5	-0,9 ÷ 10	G1/4	-	4,1	3,2	36	33,7	44	29,7	22	40,7	103,3	25	21	16	40	40,7	M5	54,3	8	VP08
378-033	5/3 CO	700	2,5	-0,9 ÷ 10	G1/8	G1/8	5	3,2	31,4	32,8	36	30,4	18	39,4	96,8	22	17,4	11,5	32	39,4	-	-	-	VP09
374-033	5/3 CO	1050	2,5	-0,9 ÷ 10	G1/4	-	4,1	3,2	36	33,7	44	29,7	22	40,7	103,3	25	21	16	40	40,7	M5	54,3	8	VP09
388-033	5/3 CP	700	2,5	-0,9 ÷ 10	G1/8	G1/8	5	3,2	31,4	32,8	36	30,4	18	39,4	96,8	22	17,4	11,5	32	39,4	-	-	-	VP10
384-033	5/3 CP	1050	2,5	-0,9 ÷ 10	G1/4	-	4,1	3,2	36	33,7	44	29,7	22	40,7	103,3	25	21	16	40	40,7	M5	54,3	8	VP10

2 x 3/2-way valve, G1/8 or G1/4



In-line or manifold mounting



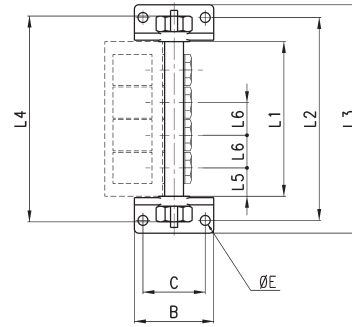
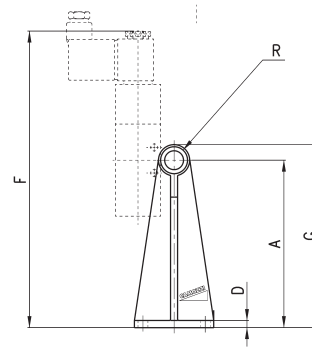
DIMENSIONS																								
Mod.	Function	Flow rate (NL/min)	min. pilot pr. (bar)	Working pr. (bar)	A	A1	B	C	D	E	F	G	H	I	L	M	N	O	P	S	T	U	Z	Symb.
338D-035	2x3/2 NC	700	2,5	-0,9 ÷ 10	G1/8	G1/8	5	3,2	31,4	32,8	36	30,4	18	39,4	96,8	22	17,4	11,5	32	39,4	-	-	-	VP11
334D-035	2x3/2 NC	1050	2,5	-0,9 ÷ 10	G1/4	-	4,1	3,2	36	33,7	44	29,7	22	40,7	103,3	25	21	16	40	40,7	M5	54,3	8	VP11
348D-035	2x3/2 NO	700	2,5	-0,9 ÷ 10	G1/8	G1/8	5	3,2	31,4	32,8	36	30,4	18	39,4	96,8	22	17,4	11,5	32	39,4	-	-	-	VP12
344D-035	2x3/2 NO	1050	2,5	-0,9 ÷ 10	G1/4	-	4,1	3,2	36	33,7	44	29,7	22	40,7	103,3	25	21	16	40	40,7	M5	54,3	8	VP12
398D-035	2x3/2 NC/NO	700	2,5	-0,9 ÷ 10	G1/8	G1/8	5	3,2	31,4	32,8	36	30,4	18	39,4	96,8	22	17,4	11,5	32	39,4	-	-	-	VP13
394D-035	2x3/2 NC/NO	1050	2,5	-0,9 ÷ 10	G1/4	-	4,1	3,2	36	33,7	44	29,7	22	40,7	103,3	25	21	16	40	40,7	M5	54,3	8	VP13

Manifold bars with separate exhausts (low version)



The following is supplied:

- 2x feet
- 1x manifold
- 1x inlet fitting
- 1x plug
- 4x washers



DIMENSIONS																
Mod.	Nr of valves	A	B	C	D	ØE	F	G	R	L1	L2	L3	L4	L5	L6	Suitable for Series
CNV-318-2	2	73	56	44	5	7	178	83	G1/4	63	97	115	99	20	23	3 - G1/8
CNV-318-3	3	73	56	44	5	7	178	83	G1/4	86	120	138	119	20	23	3 - G1/8
CNV-318-4	4	73	56	44	5	7	178	83	G1/4	109	143	161	142	20	23	3 - G1/8
CNV-318-5	5	73	56	44	5	7	178	83	G1/4	132	166	184	165	20	23	3 - G1/8
CNV-318-6	6	73	56	44	5	7	178	83	G1/4	155	189	207	188	20	23	3 - G1/8

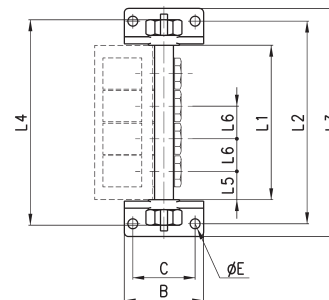
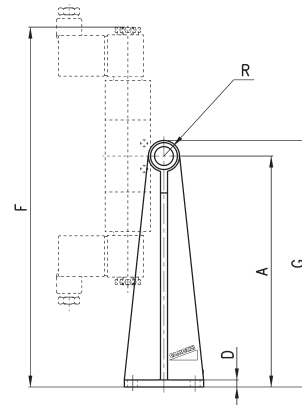
The fixing screws of the valves
Mod. 1631 01-1/8 must be ordered
separately.

Manifold bars with separate exhausts (high version)



The following is supplied:

- 2x feet
- 1x manifold
- 1x inlet fitting
- 1x plug
- 4x washers



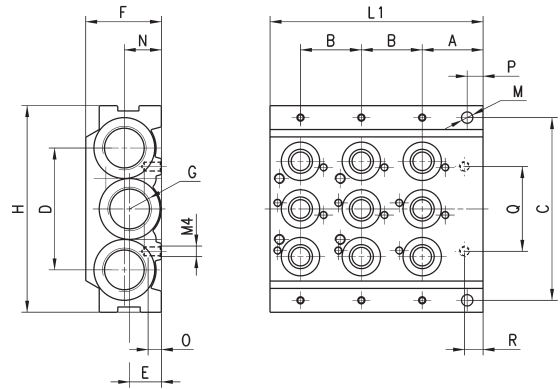
DIMENSIONS																
Mod.	Nr of valves	A	B	C	D	ØE	F	G	R	L1	L2	L3	L4	L5	L6	Suitable for Series
CNV-328-2	2	118	56	44	5	7	223	128	G1/4	63	97	115	99	20	23	3 - G1/8
CNV-328-3	3	118	56	44	5	7	223	128	G1/4	86	120	138	119	20	23	3 - G1/8
CNV-328-4	4	118	56	44	5	7	223	128	G1/4	109	143	161	142	20	23	3 - G1/8
CNV-328-5	5	118	56	44	5	7	223	128	G1/4	132	166	184	165	20	23	3 - G1/8
CNV-328-6	6	118	56	44	5	7	223	128	G1/4	155	189	207	188	20	23	3 - G1/8

The fixing screws of the valves
Mod. 1631 01-1/8 must be ordered
separately.

Initial / final Module with three positions - Mod. CNVL-...



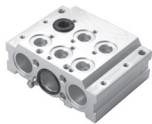
The following is supplied:
 3x interface O-Rings manifold/manifold;
 2x fixing nuts;
 2x junction plugs;
 9x interface seals valve/manifold (CNVL-3H3)
 or 3x interface seals valve/manif. (CNVL-4H3);
 6x fixing screws for valves



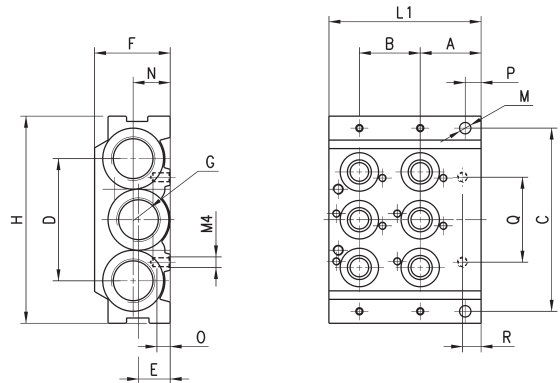
DIMENSIONS															
Mod.	A	B	C	D	E	F	H	L1	M	N	O	Q	R	G	
CNVL-3H3	23	23	69,5	46	12	29	78	80,5	4,3	14	5	6	32	7	3/8
CNVL-4H3	26	26	88	60	14	29	98	91	4,3	-	5	5	38	7	1/2

CNVL-3H3: for Series 3, G1/8
 CNVL-4H3: for Series 3, G1/4

Initial / final Module with 2 positions - Mod. CNVL-...



Initial module with 2 positions
 The following is supplied:
 3x interface O-Rings manifold/manifold;
 2x fixing nuts;
 2x junction plugs;
 6x interface seals valve/manifold (CNVL-3H2)
 or 2x interface seals valve/manif. (CNVL-4H2);
 4x fixing screws for valves



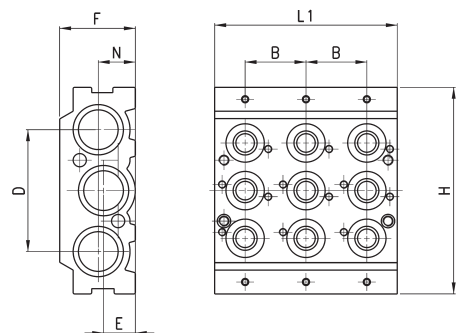
DIMENSIONS															
Mod.	A	B	C	D	E	F	H	L1	M	N	O	Q	R	G	
CNVL-3H2	23	23	69,5	46	12	29	78	57,5	4,3	14	5	6	32	7	3/8
CNVL-4H2	26	26	88	60	14	29	98	65	4,3	-	5	5	38	7	1/2

CNVL-3H2: for Series 3, G1/8
 CNVL-4H2: for Series 3, G1/4

Intermediate module with 3 positions - Mod. CNVL-...



The following is supplied:
 3x interface O-Rings manifold/manifold;
 2x fixing nuts;
 2x junction plugs;
 9x interface seals valve/manifold (CNVL-3I3)
 or 3x interface seals valve/manif. (CNVL-4I3);
 6x fixing screws for valves



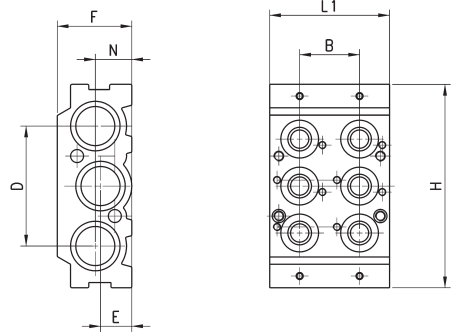
DIMENSIONS							
Mod.	B	D	E	F	H	L1	N
CNVL-3I3	23	46	12	29	78	69	14
CNVL-4I3	26	60	14	29	98	78	-

CNVL-3I3: for Series 3, G1/8
 CNVL-4I3: for Series 3, G1/4

Intermediate module with 2 positions - Mod. CNVL-...



The following is supplied:
 3x interface O-Rings manifold/manifold;
 2x fixing nuts;
 2x junction plugs;
 6x interface seals valve/manifold (CNVL-3I2)
 or 2x interface seals valve/manif. (CNVL-4I2);
 4x fixing screws for valves



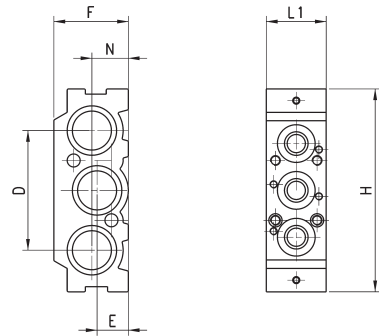
DIMENSIONS							
Mod.	B	D	E	F	H	L1	N
CNVL-3I2	23	46	12	29	78	46	14
CNVL-4I2	26	60	14	29	98	52	-

CNVL-3I2: for Series 3, G1/8
 CNVL-4I2: for Series 3, G1/4

Intermediate module with 1 position - Mod. CNVL-...



The following is supplied:
 3x interface O-Rings manifold/manifold;
 2x fixing nuts;
 2x junction plugs;
 3x interface seals valve/manifold (CNVL-3I1)
 or 1x interface seal valve/manif. (CNVL-4I1);
 2x fixing screws for valves



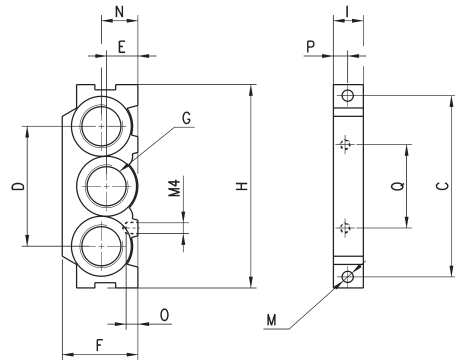
DIMENSIONS						
Mod.	D	E	F	H	L1	N
CNVL-3I1	46	12	29	78	23	14
CNVL-4I1	60	14	29	98	26	-

CNVL-3I1: for Series 3, G1/8
 CNVL-4I1: for Series 3, G1/4

Terminal module Mod. CNVL-*H



The following is supplied:
 2x fixing nuts



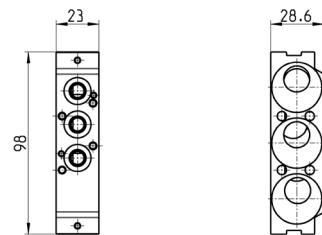
DIMENSIONS												
Mod.	C	D	E	F	H	I	M	N	O	P	Q	G
CNVL-3H	69,5	46	12	29	78	11,5	4,3	14	5	6	32	3/8
CNVL-4H	88	60	14	29	98	13	4,3	-	5	8	29	1/2

CNVL-3H: for Series 3, G1/8
 CNVL-4H: for Series 3, G1/4

Interface module manifold between Series 3 G1/8 and G1/4



The following is supplied:
 3x interface seal
 2x screws
 2x pins
 4x plugs
 6x O-Rings



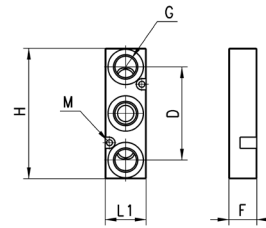
Mod.
CNVL-4H-3H

It is possible to seat 1 valve, series 3 with G1/8 port.

Intermediate plate for additional inlet and exhaust pressure



The following is supplied:
 3x O-Rings
 2x fixing screws



DIMENSIONS							
Mod.	G	H	M	F	L1	D	F
CNVL-3P	G1/4	70	3.2	29	22	50	15
CNVL-4P	G1/4	73	3.2	29	25	50	20

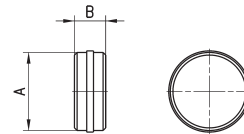
CNVL-3P: for Series 3, G1/8
 CNVL-4P: for Series 3, G1/4

Separation diaphragm



For separation of channel: 1 - 3 - 5.

The following is supplied:
 1x diaphragm

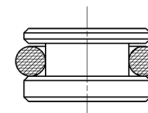


DIMENSIONS			
Mod.	A	B	
CNVL-3H-TP	15.6	6	for Series 3, G1/8
CNVL-4H-TP	23.8	8	for Series 3, G1/4

Blanking plug Mod. TCNVL for manifolds



The following is supplied:
 1x blanking plug
 1x O-Ring



Mod.	
TCNVL/3	for Series 3, G1/8
TCNVL/5	for Series 3, G1/4

Blanking plate Mod. CNVL for manifolds

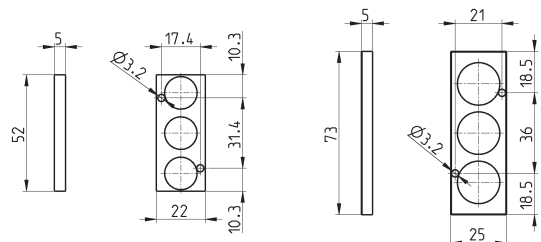
It is used to blank vacant positions of a manifold.



The following is supplied:
 2x fixing screws
 3x O-Rings

CNVL/1

CNVL/4



Mod.	
CNVL/1	for Series 3, G1/8
CNVL/4	for Series 3, G1/4

Series 4 valves and solenoid valves

3/2, 5/2 and 5/3-way CC, CO
Ports: G1/8, G1/4, G3/8, G1/2



SERIES 4 VALVES AND SOLENOID VALVES

Series 4 solenoid valves have been designed in the 3/2, 5/2, 5/3 versions and with the following two devices of actuation:

- electropneumatically actuated with mechanical spring return
- electropneumatically actuated and return with external and internal air pressure supply

Series 4 valves are equipped with a manual override which allows a stable operation and they are particularly suitable for mounting in arduous conditions.

All these valves can be operated by solenoids Series U, G A8 and H8. Moreover, valves with ports G1/2 only can be supplied with solenoids Series A6 (32x32).

Pneumatically actuated valves 3/2 NC become NO when the supply is on connection 3.

- » The different ports allow flows from 650 to 4000 Nl/min
- » New models available: with G3/8 ports and 1800 Nl/min flow

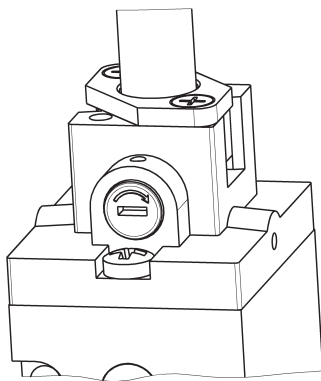
GENERAL DATA

Construction	balanced spool type
Valve functions	3/2 - 5/2 - 5/3-way CC, CO
Materials	AL body and subbases stainless steel spool technopolymer end cover NBR PU seals
Ports	G1/8 - G1/4 - G3/8 - G1/2
Installation	in any position
Operating temperature	0 ÷ 60°C (with dry air at -20°C)
Operating pressure	see table
Medium	filtered air, without lubrication. If lubricated air is used, it is recommended to use ISOVG32 oil. Once applied the lubrication should never be interrupted.

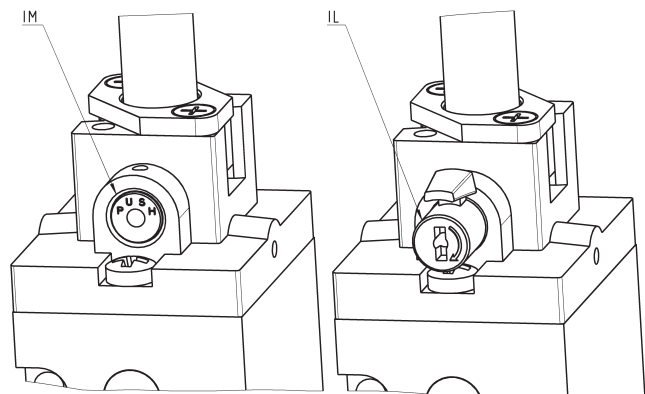
CODING EXAMPLE

4	5	4	-	015	-	22	IL	-	U7	7
4	SERIES									
5	NUMBER OF WAYS - POSITIONS: 3 = 3/2 NC 4 = 3/2 NO 5 = 5/2 6 = 5/3 CC 7 = 5/3 CO									
4	PORTS: 2C = G1/2 2N = G1/2 (high flow) 3 = G3/8 4 = G1/4 8 = G1/8									
015	ACTUATION: 011 = double solenoid (horizontal solenoids) V11 = double solenoid (vertical solenoids) for G1/4 port only E11 = double solenoid external servo-command E15 = single solenoid external servo-command 015 = single solenoid, spring return (horizontal solenoids) V15 = single solenoid, spring return (vertical solenoid) for G1/4 port only 016 = single solenoid, pneumatic spring return (horizontal solenoid) V16 = single solenoid, pneumatic spring return (vertical solenoid) for G1/4 port only 33 = pneumatic pneumatic 34 = pneumatic differential 35 = pneumatic spring									
22	SOLENOID INTERFACE: 22 = mech. sol. 22 x 22 50 = mech. sol. 32 x 32 (G1/2 only)									
IL	TYPE OF MANUAL OVERRIDE: = bistable, standard IL = bistable, lever type (available on demand) IM = monostable (available on demand)									
U7	ENCAPSULATING MATERIAL / SOLENOID DIMENSIONS: A6 = PPS / 32 x 32 (G1/2 only) A8 = PPS / 30 x 30 G7 = PA / 22 x 22 G8 = PA / 30 x 30 (24 V DC only) G9 = PA / 22 x 58 H8 = PA 6 V0 / 30 x 30 U7 = PET / 22 x 22									
7	SOLENOID VOLTAGE (see the dedicated section 2.35)									

TYPES OF MANUAL OVERRIDE



Example of solenoid valve with a bistable standard manual override.

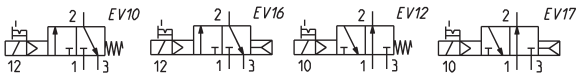
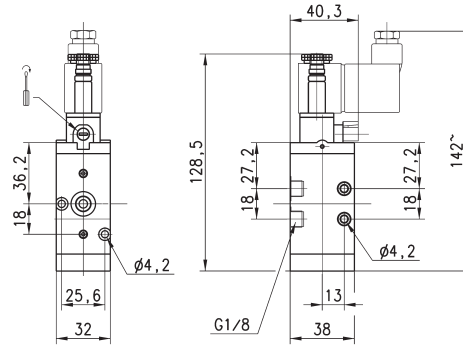


Example of solenoid monostable valve (IM) and bistable valve with a lever type manual override (IL).

3/2-way solenoid valve G1/8, monostable - Mod. 438... and 448...



These solenoid valves, which have electropneumatic actuation and spring return, are available in the NC (closed) or NO (open) version.

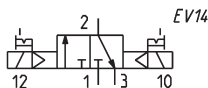
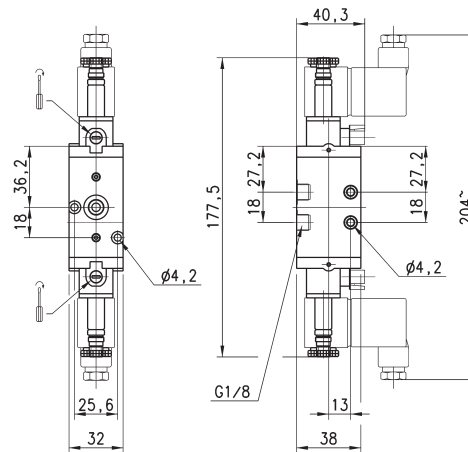


Mod.	Function	Flow rate Qn (NL/min)	Operating pressure (bar)	Symbol
438-015-22	3/2 NC	650	2.5 ÷ 10	EV10
438-016-22	3/2 NC	650	2.5 ÷ 10	EV16
448-015-22	3/2 NO	650	2.5 ÷ 10	EV12
448-016-22	3/2 NO	650	2.5 ÷ 10	EV17

3/2-way solenoid valve G1/8, bistable - Mod. 438-011...



These solenoid valves, which have electropneumatic actuation and return, assume the NC (closed) or NO (open) operating status depending on the last pulse received.

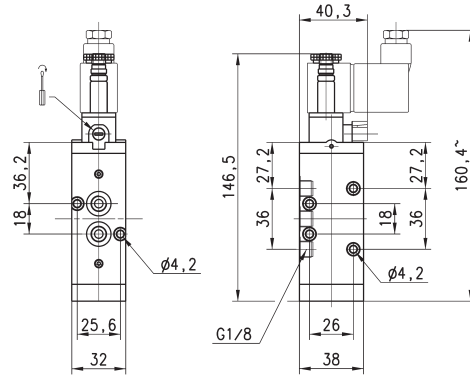
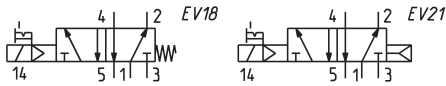


Mod.	Function	Flow rate Qn (NL/min)	Operating pressure (bar)
438-011-22	3/2	650	2 ÷ 10

5/2-way solenoid valves, G1/8, monostable - Mod 458...



These solenoid valves, which have electropneumatic actuation and spring return, are suitable for operating double-acting cylinders.

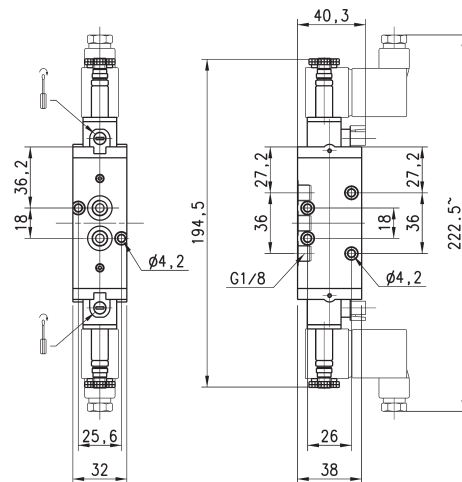
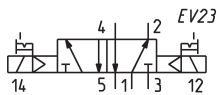


Mod.	Function	Flow rate Qn (NI/min)	Operating pressure (bar)	Symbol
458-015-22	5/2	650	2.5 ÷ 10	EV18
458-016-22	5/2	650	2.5 ÷ 10	EV21

5/2-way solenoid valves, G1/8, bistable - Mod 458-011...



These solenoid valves, with electropneumatic actuation and return, are suitable for operating double-acting cylinders.

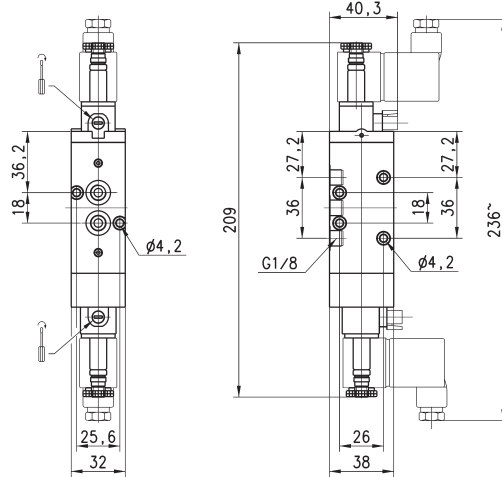
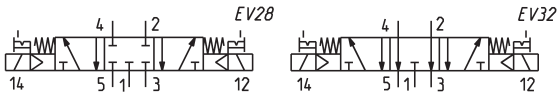


Mod.	Function	Flow rate Qn (NI/min)	Operating pressure (bar)
458-011-22	5/2	650	2 ÷ 10

5/3-way solenoid valve, G1/8 - Mod. 468-011... and 478-011...



CC = Centres Closed
CO = Centres Open

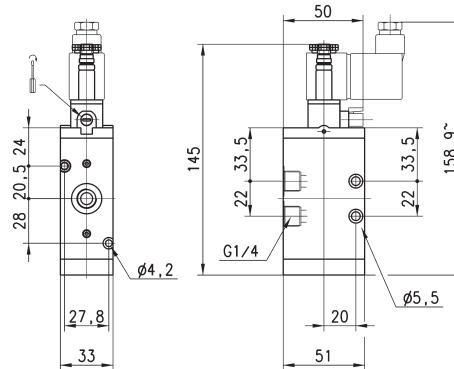
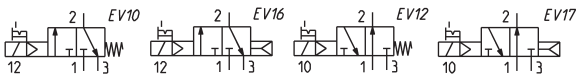


Mod.	Function	Flow rate Qn (NI/min)	Operating pressure (bar)	Symbol
468-011-22	5/3 CC	600	2.5 ÷ 10	EV28
478-011-22	5/3 CO	600	2.5 ÷ 10	EV32

3/2-way solenoid valve, G1/4, monostable Mod. 434 and Mod. 444



These solenoid valves, which have electropneumatic actuation and spring return, are available in the NC (closed) or NO (open) version.

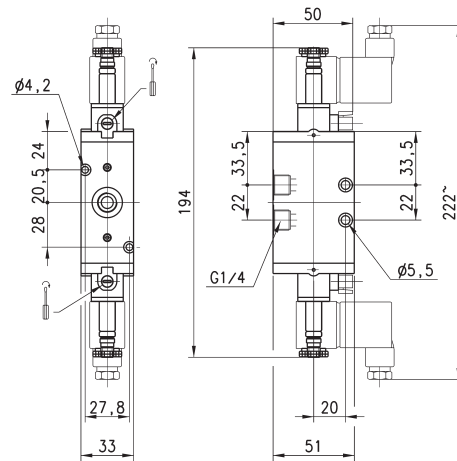
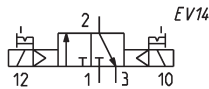


Mod.	Function	Flow rate Qn (NI/min)	Operating pressure (bar)	Symbol
434-015-22	3/2 NC	1250	2.5 ÷ 10	EV10
434-016-22	3/2 NC	1250	2.5 ÷ 10	EV16
444-015-22	3/2 NO	1250	2.5 ÷ 10	EV12
444-016-22	3/2 NO	1250	2.5 ÷ 10	EV17

3/2-way solenoid valve, G1/4, bistable - Mod. 434-011...



These solenoid valves, which have electropneumatic actuation and return, assume the NC (closed) or NO (open) position depending on the last pulse received.

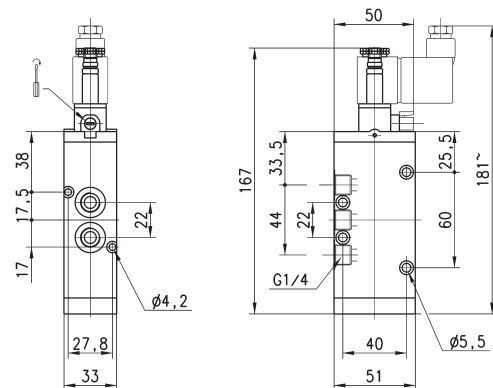
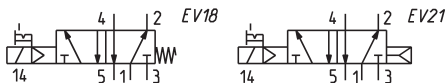


Mod.	Function	Flow rate Qn (NI/min)	Operating pressure (bar)
434-011-22	3/2	1250	2 ÷ 10

5/2-way solenoid valve, G1/4, monostable - Mod. 454...



These solenoid valves, which have electropneumatic actuation and spring return, are suitable for operating double-acting cylinders.

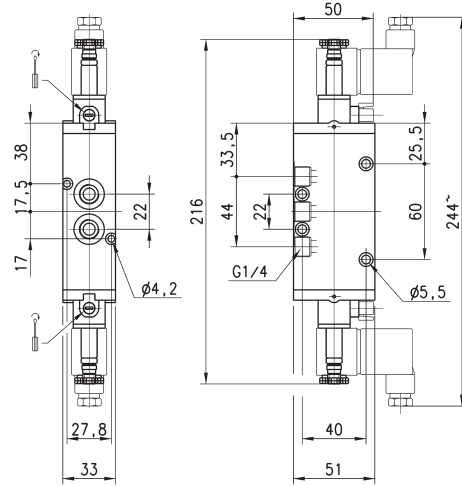
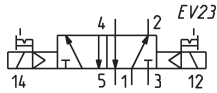


Mod.	Function	Flow rate Qn (NI/min)	Operating pressure (bar)	Symbol
454-015-22	5/2	1250	2.5 ÷ 10	EV18
454-016-22	5/2	1250	2.5 ÷ 10	EV21

5/2-way solenoid valve, G1/4, bistable - Mod. 454-011...



These solenoid valves, which have electropneumatic actuation and return, are suitable for operating double-acting cylinders.

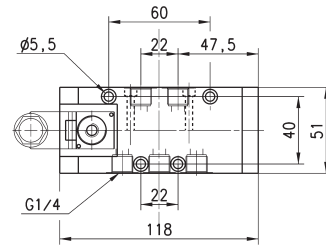
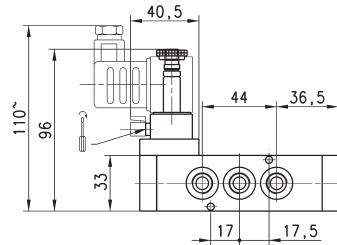
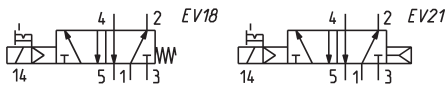


Mod.	Function	Flow rate Qn (NI/min)	Operating pressure (bar)
454-011-22	5/2	1250	2 ÷ 10

5/2-way solenoid valve, G1/4, monostable - Mod. 454-V...



These solenoid valves, which have electropneumatic actuation and spring or pneumatic spring return are suitable for operating double-acting cylinders.

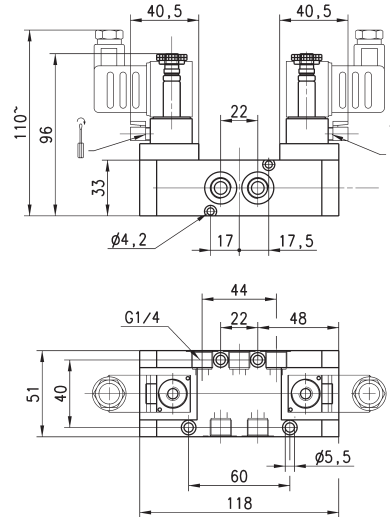
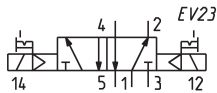


Mod.	Function	Flow rate Qn (NI/min)	Operating pressure (bar)	Symbol
454-V15-22	5/2	1250	2.5 ÷ 10	EV18
454-V16-22	5/2	1250	2.5 ÷ 10	EV21

5/2-way solenoid valve, G1/4, bistable - Mod. 454-V11...



These solenoid valves, which have electropneumatic actuation and return, are suitable for operating double-acting cylinders.

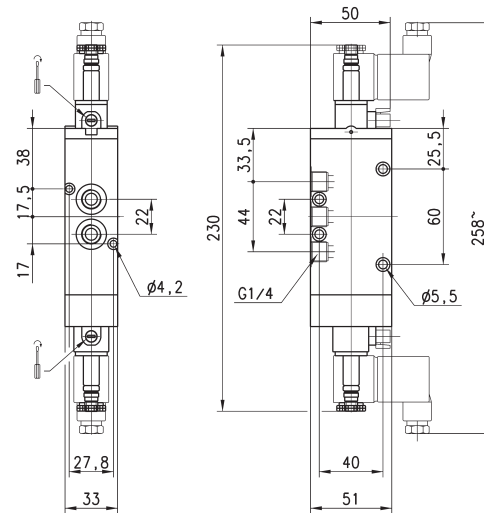
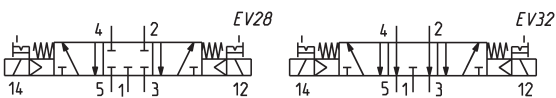


Mod.	Function	Flow rate Qn (NI/min)	Operating pressure (bar)
454-V11-22	5/2	1250	2 ÷ 10

5/3-way solenoid valve, G1/4 - Mod. 464-011... e 474-011...



CC = Centres Closed
CO = Centres Open



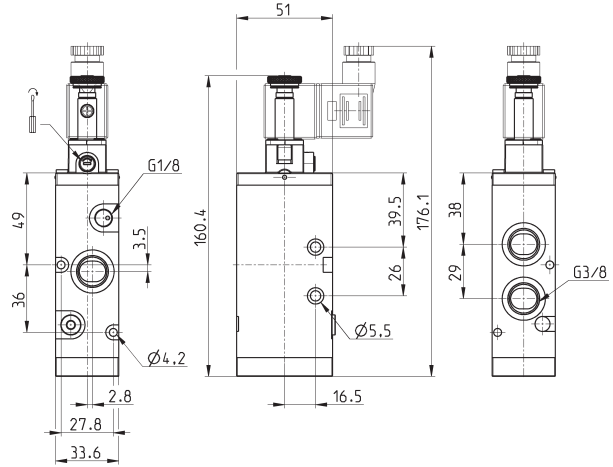
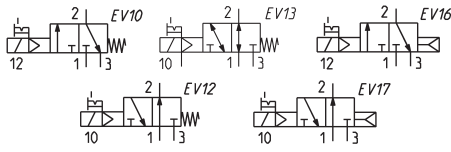
Mod.	Function	Flow rate Qn (NI/min)	Operating pressure (bar)	Symbol
464-011-22	5/3 CC	1250	2,5 ÷ 10	EV28
474-011-22	5/3 CO	1250	2,5 ÷ 10	EV32

3/2-way solenoid valve, G3/8, monostable Mod. 433... and Mod. 443...

New



These solenoid valves, which have electropneumatic actuation and spring return, are available in the NC (closed) or NO (open) version. The E15 version can work both NC and NO.



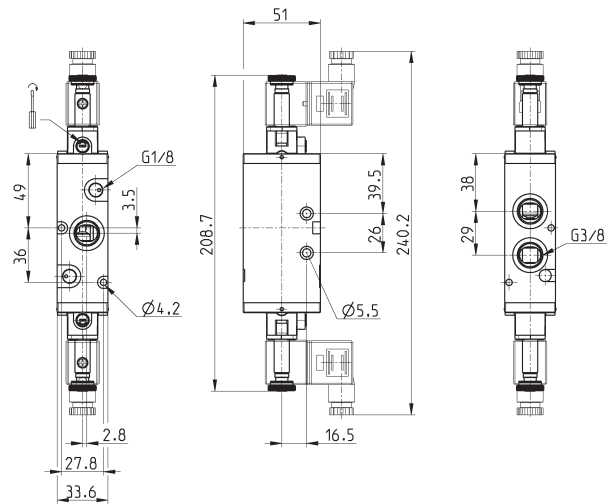
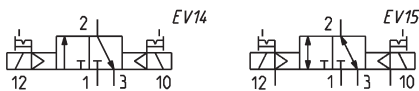
Mod.	Function	Flow Qn (NL/min)	Working pressure (bar)	Min. pilot pressure (bar)	Symbol
433-015-22	3/2 NC	1800	2.5 ÷ 10	-	EV10
433-E15-22	3/2	1800	-0.9 ÷ 10	2.5	EV13
433-016-22	3/2 NC	1800	2.5 ÷ 10	-	EV16
443-015-22	3/2 NO	1800	2.5 ÷ 10	-	EV12
443-016-22	3/2 NO	1800	2.5 ÷ 10	-	EV17

3/2-way solenoid valve, G3/8, bistable - Mod. 433-011...

New



These solenoid valves, which have electropneumatic actuation and return, assume the NC (closed) or NO (open) position depending on the last pulse received. The E15 version can work both NC and NO.



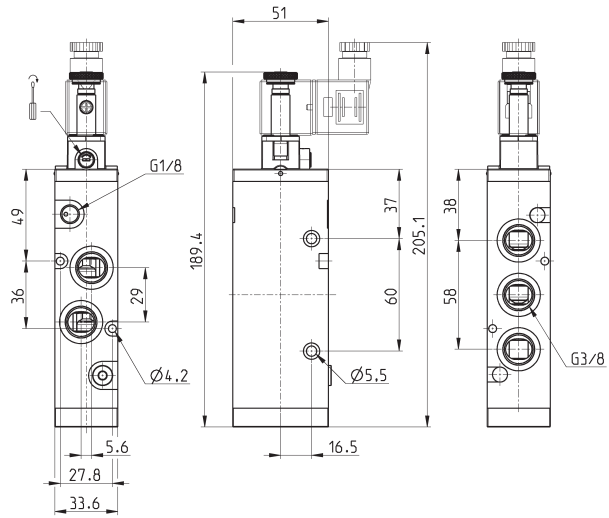
Mod.	Function	Flow Qn (NL/min)	Working pressure (bar)	Min. pilot pressure (bar)	Symbol
433-011-22	3/2	1800	2 ÷ 10	-	EV14
433-E11-22	3/2	1800	-0.9 ÷ 10	2	EV15

5/2-way solenoid valve, G3/8, monostable - Mod. 453...

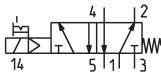
New



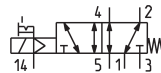
These solenoid valves, which have electropneumatic actuation and spring return, are suitable for operating double-acting cylinders.



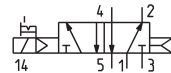
EV18



EV19



EV21



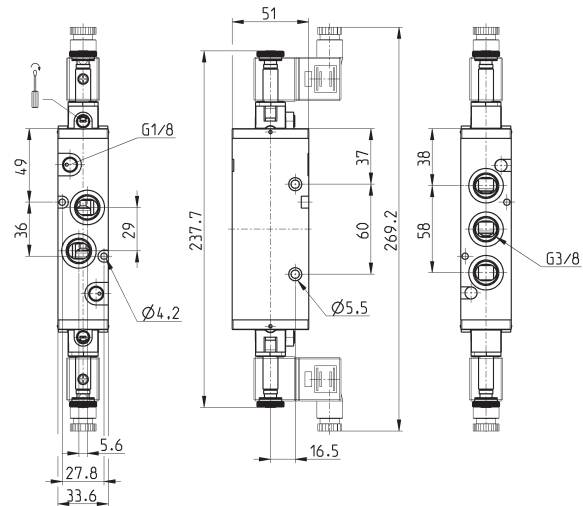
Mod.	Function	Flow Qn (NL/min)	Working pressure (bar)	Min. pilot pressure (bar)	Symbol
453-015-22	5/2	1800	2.5 ÷ 10	-	EV18
453-E15-22	5/2	1800	-0.9 ÷ 10	2.5	EV19
453-016-22	5/2	1800	2.5 ÷ 10	-	EV21

5/2-way solenoid valve, G3/8, bistable - Mod. 453-011...

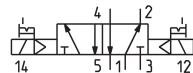
New



These solenoid valves, which have electropneumatic actuation and return, are suitable for operating double-acting cylinders.



EV23



EV25



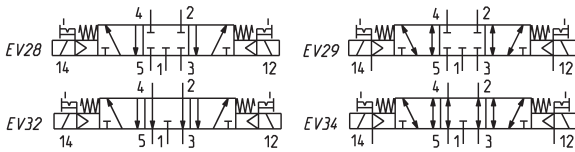
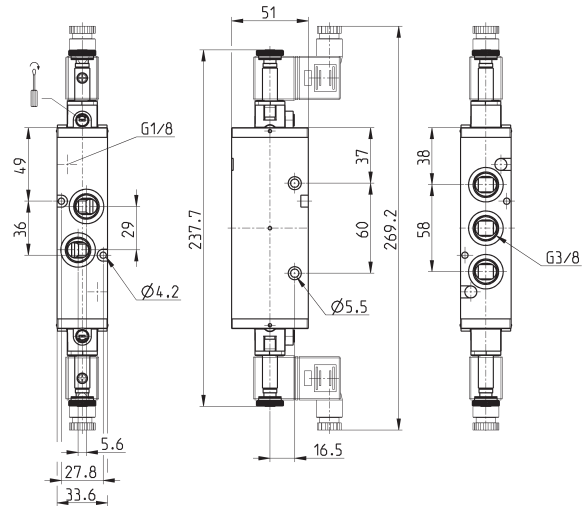
Mod.	Function	Flow Qn (NL/min)	Working pressure (bar)	Min. pilot pressure (bar)	Symbol
453-011-22	5/2	1800	2 ÷ 10	-	EV23
453-E11-22	5/2	1800	-0.9 ÷ 10	2	EV25

5/3-way solenoid valve, G3/8 - Mod. 463-011... and 473-011...

New



CC = Centres Closed
CO = Centres Open

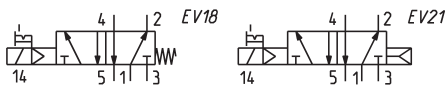
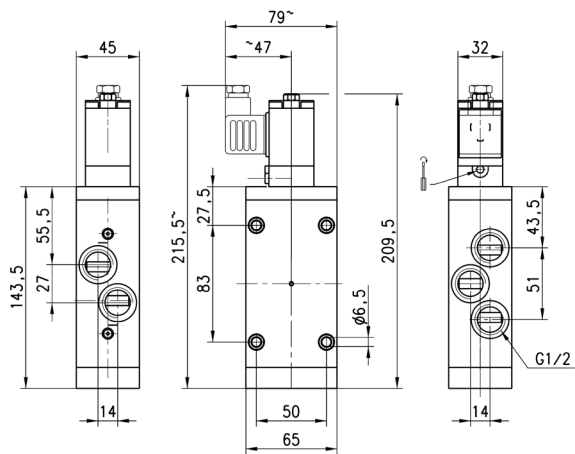


Mod.	Function	Flow Qn (NI/min)	Working pressure (bar)	Min. pilot pressure (bar)	Symbol
463-011-22	5/3 CC	1600	2.5 ÷ 10	-	EV28
463-E11-22	5/3 CC	1600	-0.9 ÷ 10	2.5	EV29
473-011-22	5/3 CO	1600	2.5 ÷ 10	-	EV32
473-E11-22	5/3 CO	1600	-0.9 ÷ 10	2.5	EV34

5/2-way solenoid valve, G1/2, monostable - Mod. 452C...



These solenoid valves, which have electropneumatic actuation and spring or pneumatic spring return are suitable for operating double-acting cylinders.

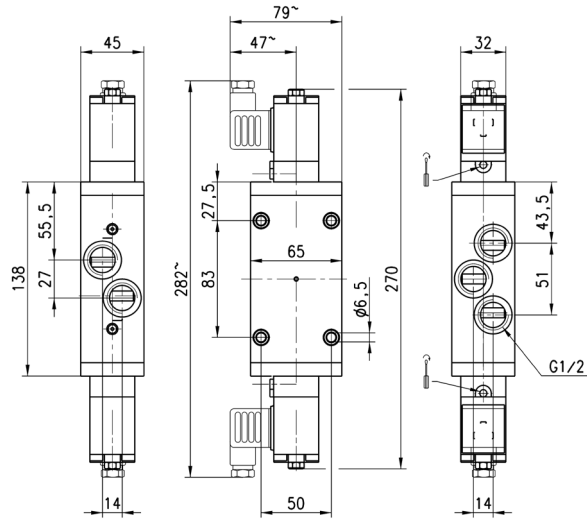
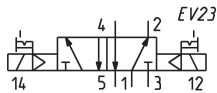


Mod.	Function	Flow rate Qn (NI/min)	Operating pressure (bar)	Symbol	
452C-015-50-A6*	5/2	2500	2.5 ÷ 10	EV18	* choose the desired voltage
452C-016-50-A6*	5/2	2500	2.5 ÷ 10	EV21	* choose the desired voltage

5/2-way solenoid valve, G1/2, bistable - Mod. 452C-011...



These solenoid valves, which have electropneumatic actuation and return, are suitable for operating double-acting cylinders.



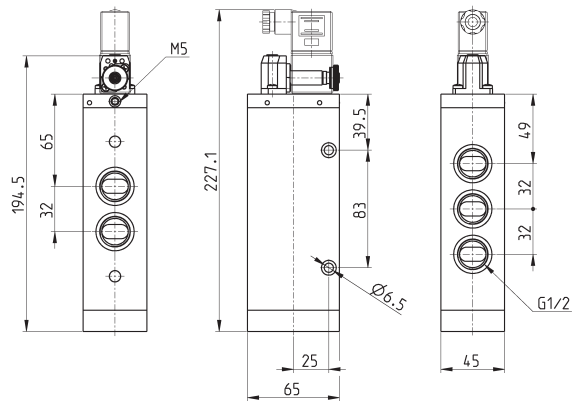
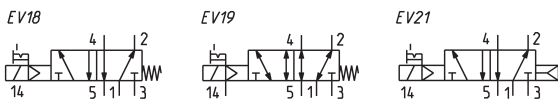
Mod.	Function	Flow rate Qn (NL/min)	Operating pressure (bar)
452C-011-50-A6*	5/2	2500	2 ÷ 10

* choose the desired voltage

5/2-way solenoid valve, G1/2, monostable - Mod. 452N-...



These solenoid valves, which have electropneumatic actuation and spring or pneumatic spring return are suitable for operating double-acting cylinders.

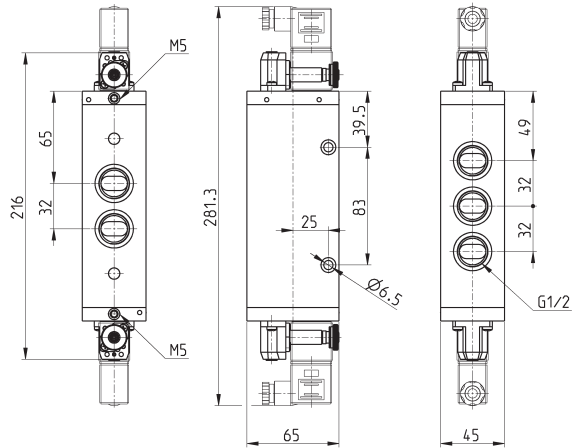
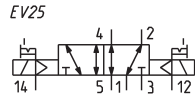
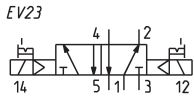


Mod.	Function	Flow rate Qn (NL/min)	min. pilot Pressure (bar)	Working pressure (bar)	Symbol
452N-015-22	5/2	4000	-	2.5 ÷ 10	EV18
452N-016-22	5/2	4000	-	2.5 ÷ 10	EV21
452N-E15-22	5/2	4000	2.5	-0.9 ÷ 10	EV19

5/2-way solenoid valve, G1/2, bistable - Mod. 452N-...



These solenoid valves, which have electropneumatic actuation and return, are suitable for operating double-acting cylinders.

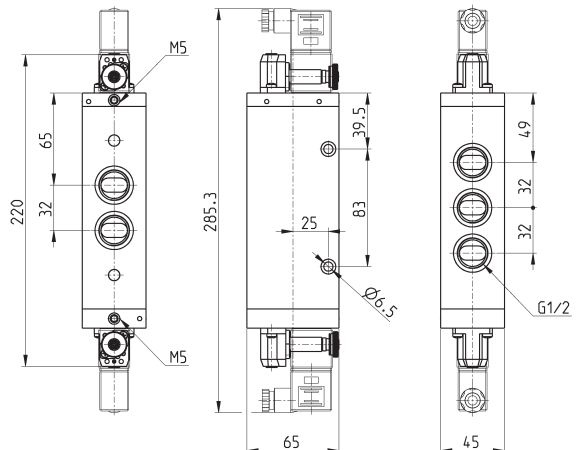
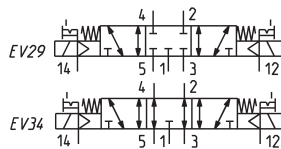
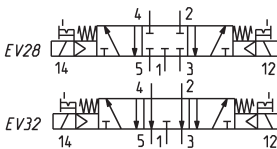


Mod.	Function	Flow rate Qn (NL/min)	min. pilot Pressure (bar)	Working pressure (bar)	Symbol
452N-011-22	5/2	4000	-	2 ÷ 10	EV23
452N-E11-22	5/2	4000	2	-0.9 ÷ 10	EV25

5/3-way solenoid valve, G1/2, bistable - Mod. 462N-..., 472N-...

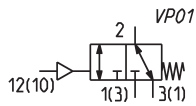
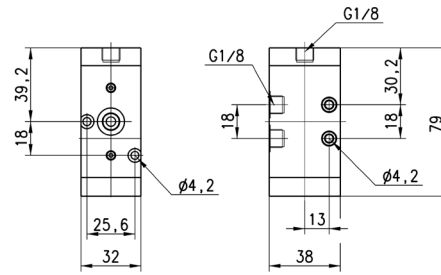


These solenoid valves, which have electropneumatic actuation and return, are suitable for operating double-acting cylinders.



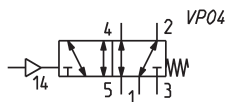
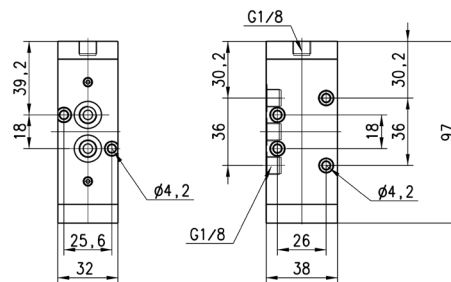
Mod.	Function	Flow rate Qn (NL/min)	min. pilot Pressure (bar)	Working pressure (bar)	Symbol
462N-011-22	5/3 CC	3300	-	2.5 ÷ 10	EV28
462N-E11-22	5/3 CC	3300	2.5	-0.9 ÷ 10	EV29
472N-011-22	5/3 CO	3300	-	2.5 ÷ 10	EV32
472N-E11-22	5/3 CO	3300	2.5	-0.9 ÷ 10	EV34

3/2-way valve, G1/8 port, monostable Mod. 438-35



Mod.	Mounting	Function	Flow rate Qn (NL/min)	Min. pilot pressure (bar)	Working pressure (bar)
438-35	in-line/on manifold	3/2 NC	700	2.5	-0.9 ÷ 10

5/2-way valve, G1/8 port, monostable Mod. 458-35

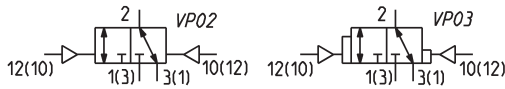
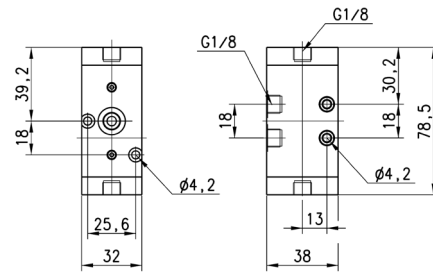


Mod.	Mounting	Function	Flow rate Qn (NL/min)	Min. pilot pressure (bar)	Working pressure (bar)
458-35	in-line/manifold	5/2	700	2.5	-0.9 ÷ 10

3/2-way valve, G1/8 port, bistable Mod. 438

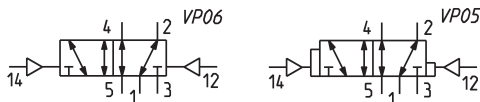
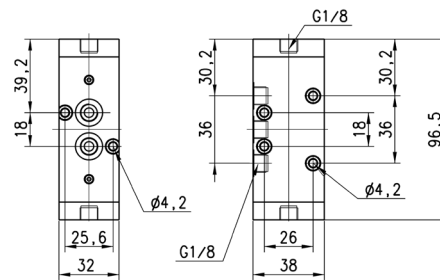


These valves can work NC or NO according to the last pilot signal.



Mod.	Mounting	Function	Flow rate Qn (NL/min)	min. pilot Pressure (bar)	Working pressure (bar)	Symbol
438-33	in-line/on manifold	3/2	700	2	-0.9 ÷ 10	VP02
438-34	in-line/on manifold	3/2	700	2	-0.9 ÷ 10	VP03

5/2-way valve, G1/8 port, bistable Mod. 458

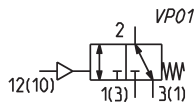
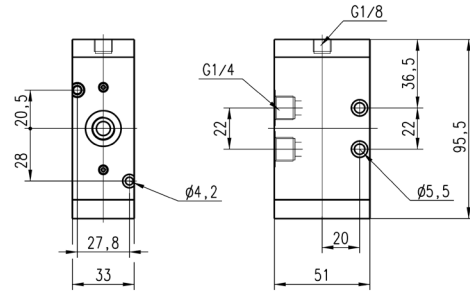


Mod.	Mounting	Function	Flow rate Qn (NL/min)	min. pilot Pressure (bar)	Working pressure (bar)	Symbol
458-33	in-line/on manifold	5/2	700	2	-0.9 ÷ 10	VP06
458-34	in-line/on manifold	5/2	700	2	-0.9 ÷ 10	VP05

3/2-way valve, G1/4 port, monostable Mod. 434-35

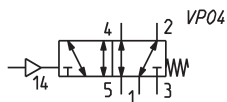
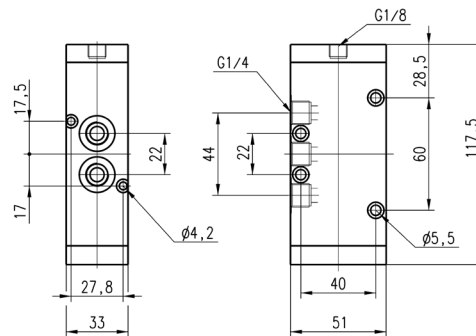


This valve can work NC or NO depending on where the power supply is connected.



Mod.	Mounting	Function	Flow rate Qn (NL/min)	min. pilot Pressure (bar)	Working pressure (bar)
434-35	in-line/on manifold	3/2 NC	1250	2.5	-0.9 ÷ 10

5/2-way valve, G1/4 port, monostable Mod. 454-35

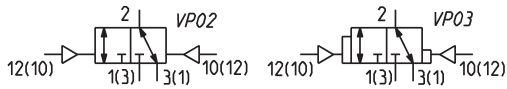
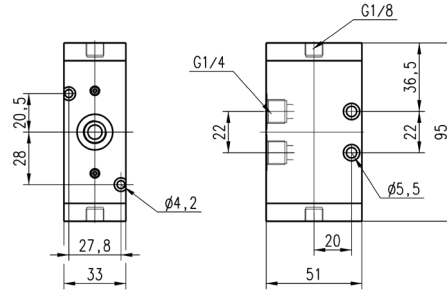


Mod.	Mounting	Function	Flow rate Qn (NL/min)	Min. pilot pressure (bar)	Working pressure (bar)
454-35	in-line/on manifold	5/2	1250	2.5	-0.9 ÷ 10

3/2-way valve, G1/4 port, bistable Mod. 434

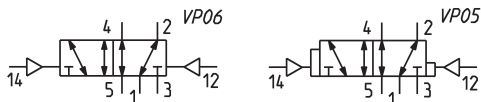
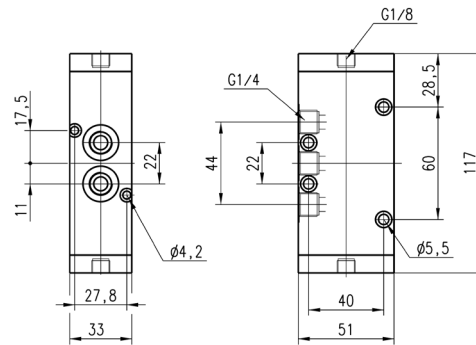


These valves can work NC or NO according to the last pilot signal.



Mod.	Mounting	Function	Flow rate Qn (NL/min)	min. pilot Pressure (bar)	Working pressure (bar)	Symbol
434-33	in-line/on manifold	3/2 NC	1250	2	-0.9 ÷ 10	VP02
434-34	in-line/on manifold	3/2 NC	1250	2	-0.9 ÷ 10	VP03

5/2-way valve, G1/4 port, bistable Mod. 454

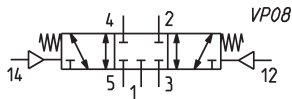
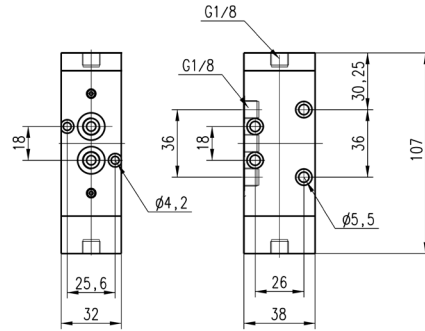


Mod.	Mounting	Function	Flow rate Qn (NL/min)	min. pilot Pressure (bar)	Working pressure (bar)	Symbol
454-33	in-line/on manifold	5/2	1250	2	-0.9 ÷ 10	VP06
454-34	in-line/on manifold	5/2	1250	2	-0.9 ÷ 10	VP05

5/3-way C.C. valve, G1/8, monostable, with central stable position



CC = Centres Closed

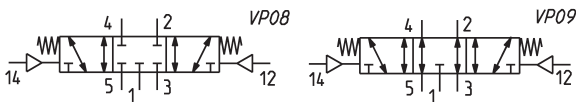
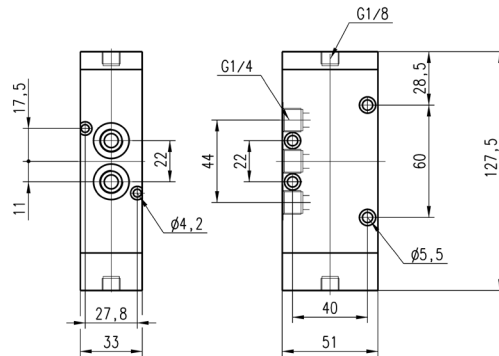


Mod.	Mounting	Function	Flow rate Qn (NL/min)	min. pilot Pressure (bar)	Working pressure (bar)
468-33	in-line/on manifold	5/3 CC	700	2.5	-0.9 ÷ 10

5/3-way CC CO valve, G1/4, monostable, central stable position



CC = Centres Closed
CO = Centres Open



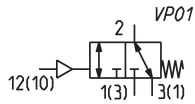
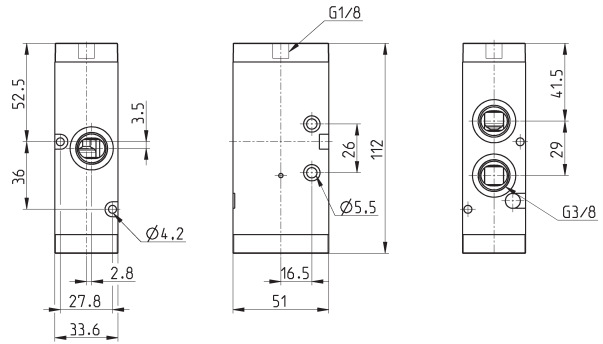
Mod.	Mounting	Function	Flow rate Qn (NL/min)	min. pilot Pressure (bar)	Working pressure (bar)	Symbol
464-33	in-line/on manifold	5/3 CC	1250	2.5	-0.9 ÷ 10	VP08
474-33	in-line/on manifold	5/3 CO	1200	2.5	-0.9 ÷ 10	VP09

3/2-way valve, G3/8 port, monostable Mod. 433-35

New



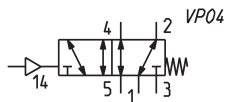
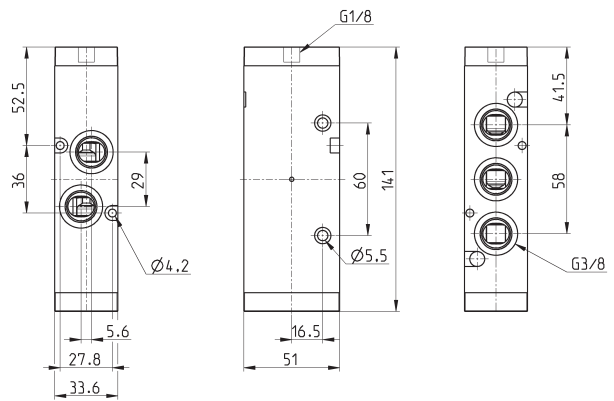
This valve can work NC or NO depending on where the power supply is connected.



Mod.	Mounting	Function	Flow rate Qn (NL/min)	min. pilot Pressure (bar)	Working pressure (bar)
433-35	in-line/on manifold	3/2 NC	1800	2.5	-0.9 ÷ 10

5/2-way valve, G3/8 port, monostable Mod. 453-35

New



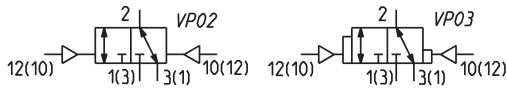
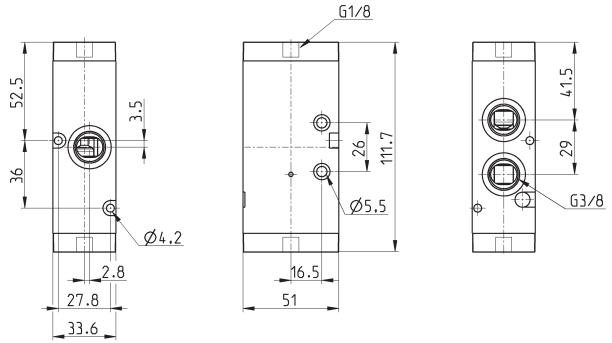
Mod.	Mounting	Function	Flow rate Qn (NL/min)	Min. pilot pressure (bar)	Working pressure (bar)
453-35	in-line/on manifold	5/2	1800	2.5	-0.9 ÷ 10

3/2-way valve, G3/8 port, bistable Mod. 433

New



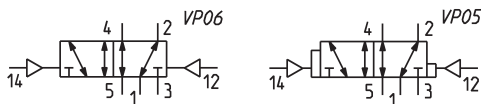
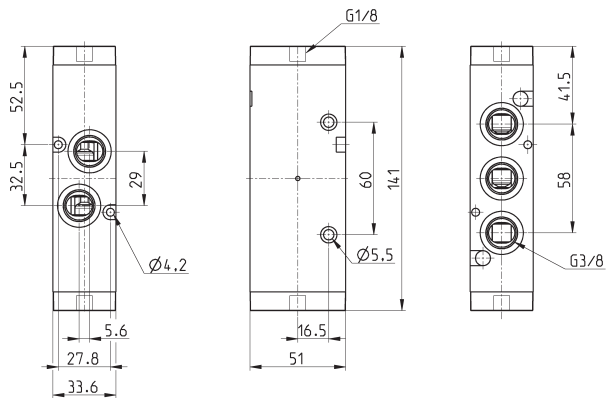
These valves can work NC or NO according to the last pilot signal.



Mod.	Mounting	Function	Flow rate Qn (NL/min)	min. pilot Pressure (bar)	Working pressure (bar)	Symbol
433-33	in-line/on manifold	3/2 NC	1800	2	-0.9 ÷ 10	VP02
433-34	in-line/on manifold	3/2 NC	1800	2	-0.9 ÷ 10	VP03

5/2-way valve, G3/8 port, bistable Mod. 453

New

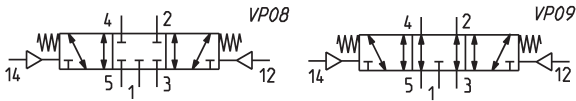
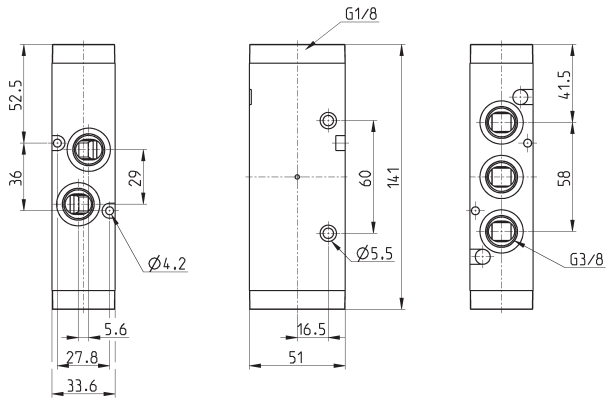


Mod.	Mounting	Function	Flow rate Qn (NL/min)	min. pilot Pressure (bar)	Working pressure (bar)	Symbol
453-33	in-line/on manifold	5/2	1800	2	-0.9 ÷ 10	VP06
453-34	in-line/on manifold	5/2	1800	2	-0.9 ÷ 10	VP05

5/3-way CC CO valve, G3/8, monostable, central stable position

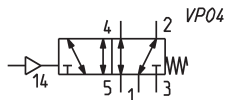
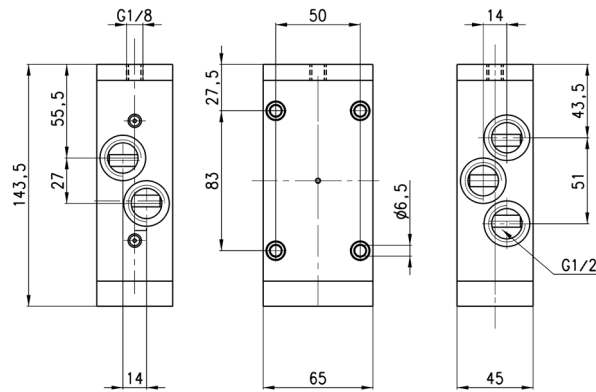


CC = Centres Closed
CO = Centres Open



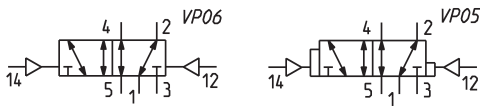
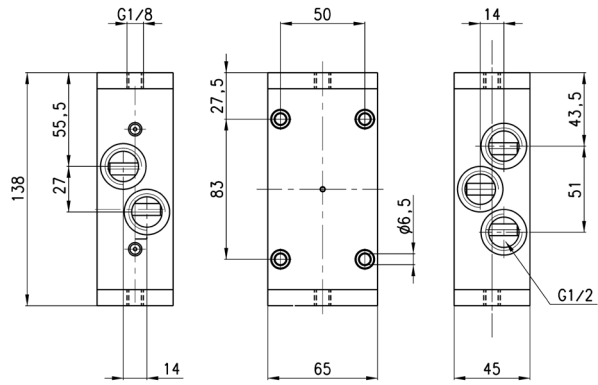
Mod.	Mounting	Function	Flow rate Qn (NL/min)	min. pilot Pressure (bar)	Working pressure (bar)	Symbol
463-33	in-line/on manifold	5/3 CC	1600	2.5	-0.9 ÷ 10	VP08
473-33	in-line/on manifold	5/3 CO	1600	2.5	-0.9 ÷ 10	VP09

5/2-way valve, G1/2 port, monostable Mod. 452C-35



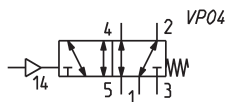
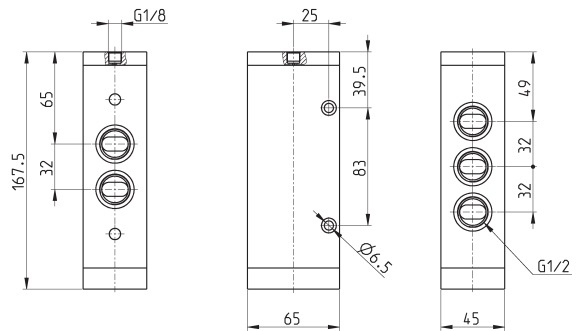
Mod.	Mounting	Function	Flow rate Qn (NL/min)	Min. pilot pressure (bar)	Working pressure (bar)
452C-35	in-line	5/2	2500	2.5	-0.9 ÷ 10

5/2-way valve, G1/2 port, bistable Mod. 452C



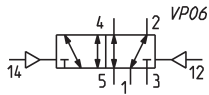
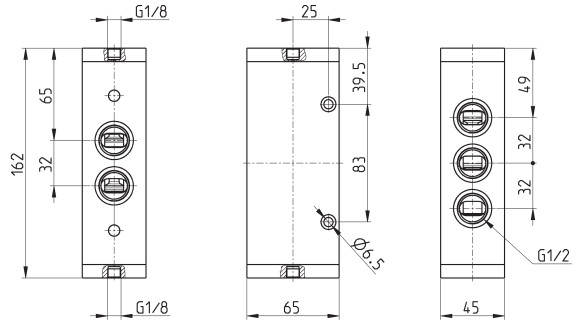
Mod.	Mounting	Function	Flow rate Qn (NI/min)	min. pilot Pressure (bar)	Working pressure (bar)	Symbol
452C-33	in-line	5/2	2500	2	-0.9 ÷ 10	VP06
452C-34	in-line	5/2	2500	2	-0.9 ÷ 10	VP05

5/2-way valve, G1/2 port, monostable Mod. 452N-35



Mod.	Mounting	Function	Flow rate Qn (NI/min)	Min. pilot pressure (bar)	Working pressure (bar)
452N-35	in-line	5/2	4000	2.5	-0.9 ÷ 10

5/2-way valve, G1/2 port, bistable Mod. 452N-33

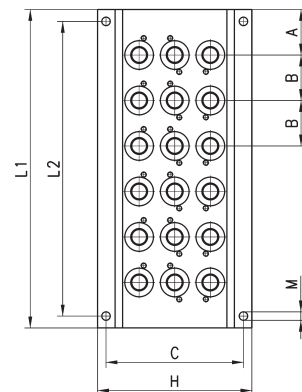
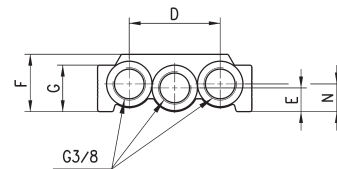


Mod.	Mounting	Function	Flow rate Qn (NL/min)	min. pilot Pressure (bar)	Working pressure (bar)	Symbol
452N-33	in-line	5/2	4000	2	-0.9 ÷ 10	VP06

Manifold base with common exhausts



For valves Series 4, G1/8 (3/2, 5/2 or 5/3-way)
The following is supplied with:
1x manifold
1x pair of fixing screws for valve position
1x interface seal for valve positions
2x guides for valve position

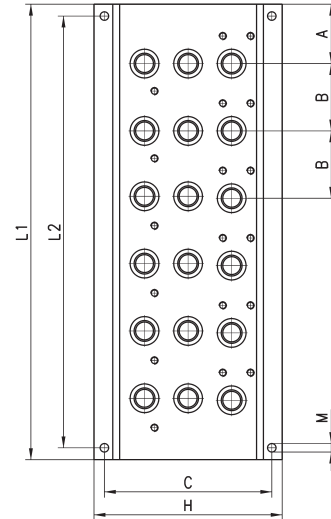
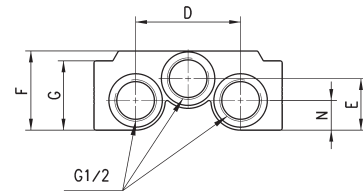


DIMENSIONS												
Mod.	A	B	C	D	E	F	G	H	L1	L2	M	N
CNVL-42	28	33	69.5	46	12	29	23.5	78	89	77	4.3	14
CNVL-43	28	33	69.5	46	12	29	23.5	78	122	110	4.3	14
CNVL-44	28	33	69.5	46	12	29	23.5	78	155	143	4.3	14
CNVL-45	28	33	69.5	46	12	29	23.5	78	188	176	4.3	14
CNVL-46	28	33	69.5	46	12	29	23.5	78	221	209	4.3	14

Manifold base with common exhausts



For valves Series 4, G1/4 (3/2, 5/2 or 5/3-way)
The following is supplied :
1x manifold
1x pair of fixing screws for valve position
1x interface seal for valve positions
2x guides for valve position



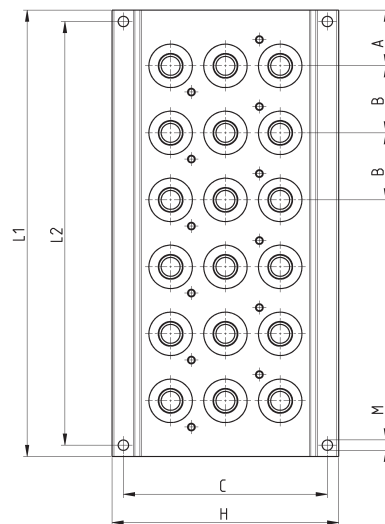
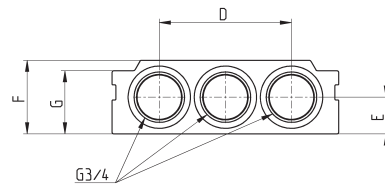
DIMENSIONS												
Mod.	A	B	C	D	E	F	G	H	L1	L2	M	N
CNVL-52	30	34	84.5	53	26	40	35	95	94	82	4.3	15
CNVL-53	30	34	84.5	53	26	40	35	95	128	116	4.3	15
CNVL-54	30	34	84.5	53	26	40	35	95	162	150	4.3	15
CNVL-55	30	34	84.5	53	26	40	35	95	196	184	4.3	15
CNVL-56	30	34	84.5	53	26	40	35	95	230	218	4.3	15

Manifold base with common exhausts

New



For valves Series 4, G3/8 (3/2, 5/2 or 5/3-way)
The following is supplied with:
1x manifold
1x pair of fixing screws for valve position
1x interface seal for valve positions
2x guides for valve position



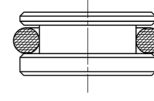
Mod.	A	B	C	D	E	F	G	H	L1	L2	M
CNVL-62	29.5	35	108	70	19.5	39	33.5	120	94.5	82.5	5.5
CNVL-63	29.5	35	108	70	19.5	39	33.5	120	130	118	5.5
CNVL-64	29.5	35	108	70	19.5	39	33.5	120	166	154	5.5
CNVL-65	29.5	35	108	70	19.5	39	33.5	120	201	189	5.5
CNVL-66	29.5	35	108	70	19.5	39	33.5	120	237	225	5.5

Blanking plug Mod. TCNVL for manifolds



The following is supplied:
1x blanking plug
1x O-Ring

TCNVL/3: for Series 4, G1/8
TCNVL/5: for Series 4, G1/4
TCNVL/6: for Series 4, G3/8



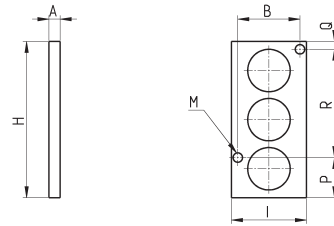
Mod.
TCNVL/3
TCNVL/5
TCNVL/6

Blanking plate Mod. CNVL for manifolds



The following is supplied:
2x fixing screws
3x O-Rings

CNVL/2: for Series 4, G1/8
CNVL/3: for Series 4, G1/4
CNVL/4: for Series 4, G3/8



DIMENSIONS								
Mod.	A	B	H	I	M	P	Q	R
CNVL/2	5	25.6	52	32	4.2	17	17	18
CNVL/3	5	27.8	70	33.5	4.2	18	3.5	48.5
CNVL/4	5	27.8	85	33.5	4.2	24.5	24.5	36

It is used to blank vacant positions of a manifold.