

Series MD filters

Ports with interchangeable cartridges: threaded (1/8, 1/4, 3/8) or integrated with super-rapid fitting for tube with \varnothing 6, 8 and 10 mm.

Modular assembly

Bowl with technopolymer cover and bayonet-type mounting



- » Removal of impurities and condensate
- » Visual blockage indicator
- » Condensate drain options: semi-automatic manual, automatic protected depressurisation, direct G1/8 exhaust
- » Bowl locking system reducing the risk of accidents
- » Additional air intakes with the same characteristics of the outlet air (line)

The Series MD air preparation product line is characterized by a modern and linear design as well as high performance. The technopolymer structure has allowed to create a simplified, product, lightweight and robust at the same time.

Thanks to the solution adopted for the pneumatic connection, it is possible to equip the same element with interchangeable cartridges that can either be threaded, or with an integrated super-rapid fitting, both types available in different sizes. Intermediate cartridges can be also integrated to join multiple functions or with derivation to draw air. An additional air intake, with the same characteristic of the outlet air, is available on the front side and on the rear one. This intake can be used by utilities with limited consumption.

GENERAL DATA

Construction	modular, compact with filtering element in HDPE
Materials	see TABLE OF MATERIALS on the following page
Ports	with interchangeable cartridges: 1/8, 1/4 and 3/8 threaded or integrated with super-rapid fitting for tube with \varnothing 6, 8 and 10 mm
Condensate capacity	24 cm ³
Fixing	vertical in-line; wall-mounting by means of through holes in the body or with a support bracket
Operating temperature	-5°C ÷ 50°C up to 16 bar
Condensate drain	semi-automatic manual, automatic protected depressurisation, direct G1/8 exhaust
Quality of delivered air according to ISO 8573-1:2010	Class 6.8.4 with 5 μ m filtering element Class 7.8.4 with 25 μ m filtering element
Operating pressure	0.3 ÷ 16 bar
Nominal flow	see FLOW DIAGRAMS on the following pages
Fluid	compressed air

CODING EXAMPLE

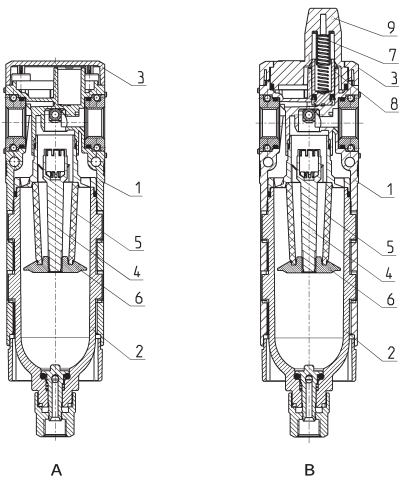
MD	1	-	F	0	0	0	-	1/8
-----------	----------	----------	----------	----------	----------	----------	----------	------------

MD	SERIES
1	DIMENSION: 1 = 42 mm
F	FILTER
0	FILTERING ELEMENT (further details in the dedicated section): 0 = 25 µm 1 = 5 µm
0	DRAINING OF CONDENSATE (further details in the dedicated section): 0 = semiautomatic-manual drain 5 = automatic drain, protected depressurisation 8 = direct G1/8 exhaust
0	VISUAL BLOCKAGE INDICATOR: 0 = not present 1 = present
1/8	PORTS (IN - OUT)*: = without cartridges 1/8 = G1/8 1/4 = G1/4 3/8 = G3/8 6 = tube Ø6 8 = tube Ø8 10 = tube Ø10 * NOTE: if the inlet (IN) cartridge is different from the outlet (OUT) cartridge, both dimensions shall be indicated. Example: MD1-F000-1/4-10

SERIES MD FILTERS

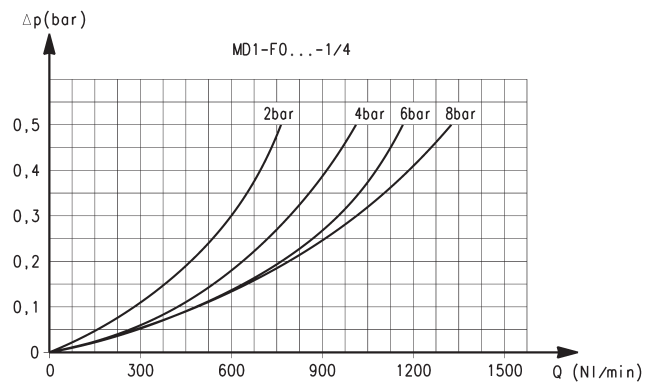
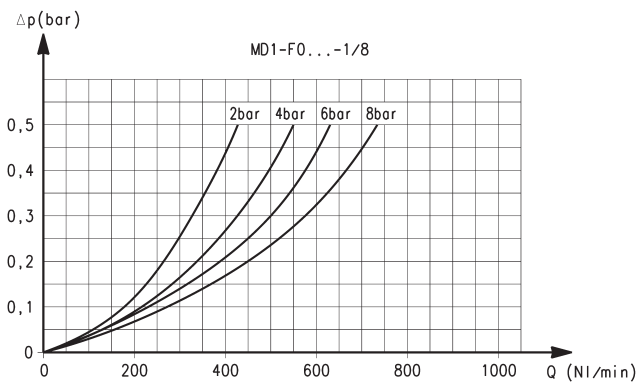
Filters Series MD - materials

A = filter
B = filter with visual blockage indicator



PARTS	MATERIALS
1 = Body	Polyamide
2 = Tank	Polycarbonate
3 = Covering	Polyamide
4 = Valve-guide	Polyacetal
5 = Filtering element	Polyethylene
6 = Separation deflector	Polyacetal
7 = Upper spring	Stainless steel
8 = Piston	Anodized aluminium
9 = Visual blockage indicator	Polycarbonate
Seals	NBR

FLOW DIAGRAMS for models with 25 µm filtering element



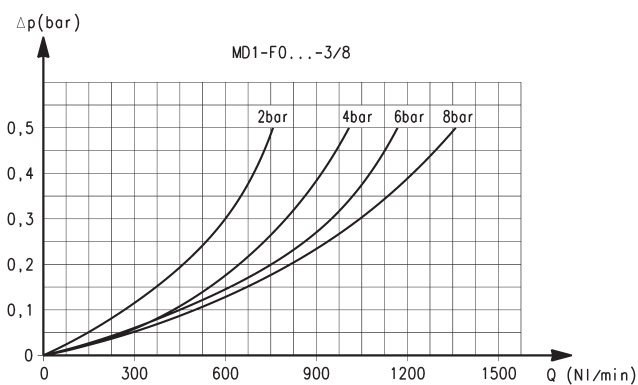
Ports with interchangeable 1/8 threaded cartridges

Δp = Pressure drop (bar)
Q = Flow (NL/min)

Ports with interchangeable 1/4 threaded cartridges

Δp = Pressure drop (bar)
Q = Flow (NL/min)

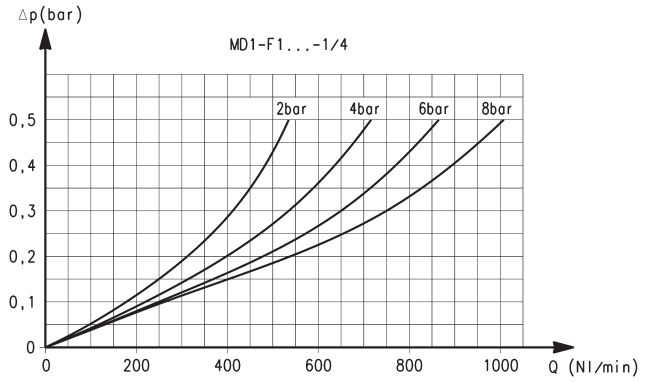
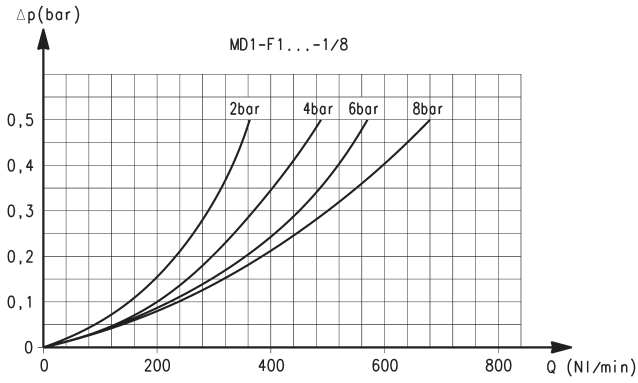
FLOW DIAGRAM for models with 25 µm filtering element



Ports with interchangeable 3/8 threaded cartridges

Δp = Pressure drop (bar)
Q = Flow (NL/min)

FLOW DIAGRAMS for models with 5 μm filtering element



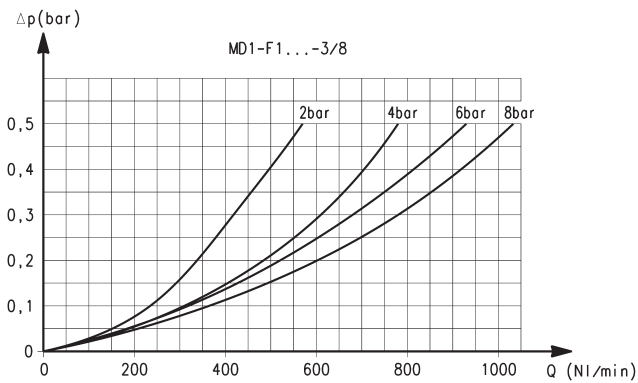
Ports with interchangeable 1/8 threaded cartridges

Δp = Pressure drop (bar)
Q = Flow (NL/min)

Ports with interchangeable 1/4 threaded cartridges

Δp = Pressure drop (bar)
Q = Flow (NL/min)

FLOW DIAGRAM for models with 5 μm filtering element



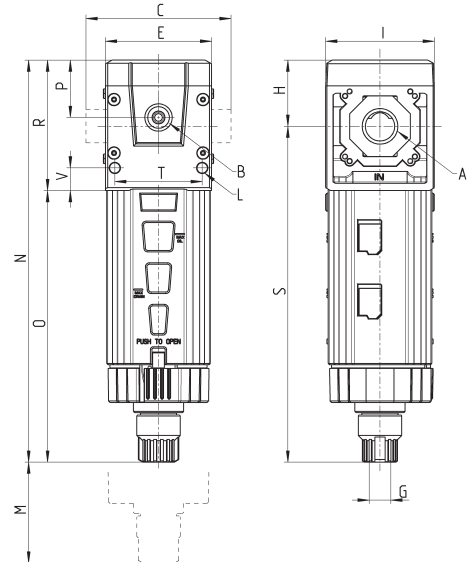
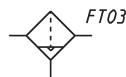
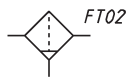
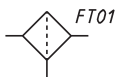
Ports with interchangeable 3/8 threaded cartridges

Δp = Pressure drop (bar)
Q = Flow (NL/min)

Series MD filters - dimensions



FT01 = filter with direct G1/8 exhaust
 FT02 = filter with semi-automatic manual drain
 FT03 = filter with automatic/depressuring drain

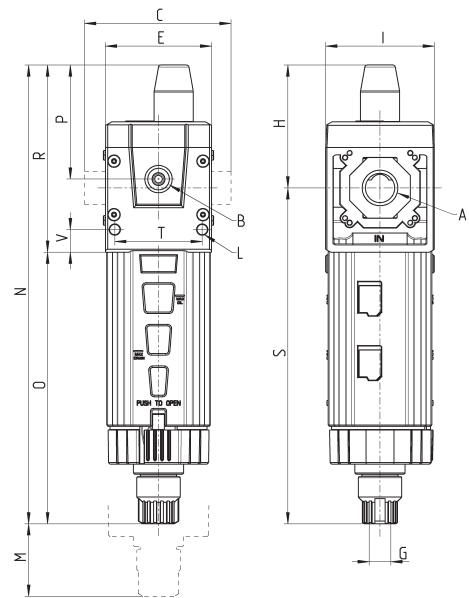
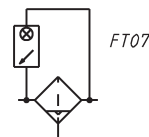
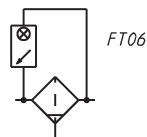
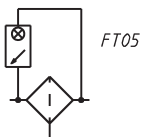


DIMENSIONS																	
Mod.	A	B	C	E	G	H	I	L	M	N	O	P	R	S	T	V	Weight (Kg)
MD1-F000	-	G1/8	42	42	G1/8	26.2	43	Ø4	90	159.4	107.7	22.7	51.7	133.2	34.6	9	0.2
MD1-F000-1/8	G1/8	G1/8	42	42	G1/8	26.2	43	Ø4	90	159.4	107.7	22.7	51.7	133.2	34.6	9	0.2
MD1-F000-1/4	G1/4	G1/8	42	42	G1/8	26.2	43	Ø4	90	159.4	107.7	22.7	51.7	133.2	34.6	9	0.2
MD1-F000-3/8	G3/8	G1/8	42	42	G1/8	26.2	43	Ø4	90	159.4	107.7	22.7	51.7	133.2	34.6	9	0.2
MD1-F000-6	Ø6	G1/8	47	42	G1/8	26.2	43	Ø4	90	159.4	107.7	22.7	51.7	133.2	34.6	9	0.2
MD1-F000-8	Ø8	G1/8	62	42	G1/8	26.2	43	Ø4	90	159.4	107.7	22.7	51.7	133.2	34.6	9	0.2
MD1-F000-10	Ø10	G1/8	67	42	G1/8	26.2	43	Ø4	90	159.4	107.7	22.7	51.7	133.2	34.6	9	0.2

Series MD filters with visual blockage indicator - dimensions



FT05 = filter with direct G1/8 exhaust and visual blockage indicator
 FT06 = filter with semi-automatic manual drain and visual blockage indicator
 FT07 = filter with automatic/depressuring drain and visual blockage indicator



DIMENSIONS																	
Mod.	A	B	C	E	G	H	I	L	M	N	O	P	R	S	T	V	Weight (Kg)
MD1-F001	-	G1/8	42	42	G1/8	48.7	43	Ø4	90	181.9	107.7	45.2	74.2	133.2	34.6	9	0.2
MD1-F001-1/8	G1/8	G1/8	42	42	G1/8	48.7	43	Ø4	90	181.9	107.7	45.2	74.2	133.2	34.6	9	0.2
MD1-F001-1/4	G1/4	G1/8	42	42	G1/8	48.7	43	Ø4	90	181.9	107.7	45.2	74.2	133.2	34.6	9	0.2
MD1-F001-3/8	G3/8	G1/8	42	42	G1/8	48.7	43	Ø4	90	181.9	107.7	45.2	74.2	133.2	34.6	9	0.2
MD1-F001-6	Ø6	G1/8	47	42	G1/8	48.7	43	Ø4	90	181.9	107.7	45.2	74.2	133.2	34.6	9	0.2
MD1-F001-8	Ø8	G1/8	62	42	G1/8	48.7	43	Ø4	90	181.9	107.7	45.2	74.2	133.2	34.6	9	0.2
MD1-F001-10	Ø10	G1/8	67	42	G1/8	48.7	43	Ø4	90	181.9	107.7	45.2	74.2	133.2	34.6	9	0.2