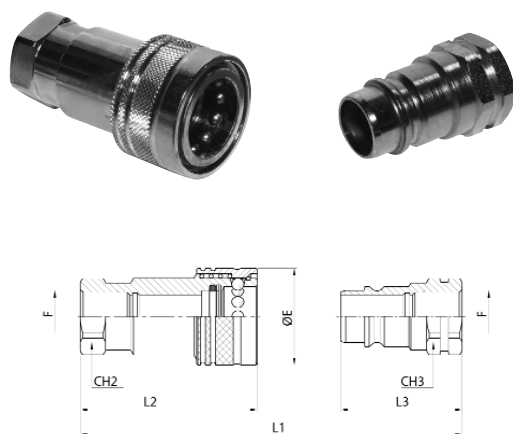


## PA01 PAOC Valveless Range (Free Flow) - Hydraulic Quick Release Couplings

ISO A Norm



## Technical Data

**Material**

PA01 series zinc plated and yellow bichromated. PAOC series chromium-plated. All high stressed components carbonitrided or hardened by induction

Seals: PA01 model standard in nitrile NBR. PAOC model standard in FPM (Viton™). On request EPDM and CR (Neoprene) seals

Back-up Ring: In pure Teflon

**Operating and Burst Pressures**

See table page 8.00/006

**Operating Temperature**

PA01 with NBR standard seals -25°C to +125°C

PAOC with Viton standard seals -25°C to +200°C

**Special Requests**

For assistance, contact our technical office or your local Camozzi distributor.



See page 8.00/007 for Dust Caps

## Zinc Passivated

DN	ISO	CH2	CH3	øE	L1	L2	L3	Thread	Carrier Half	Probe Half
06	6.3	19	19	26	70	49	35	1/4	PA01.0606.002	PA01.0606.003
06	6.3	19	19	26	70	49	35	1/4 NPT	PA01.0606.012	PA01.0606.013
10	10	22	22	30	85	60.5	42.5	3/8	PA01.1010.002	PA01.1010.003
10	10	22	22	30	85	60.5	42.5	3/8 NPT	PA01.1010.012	PA01.1010.013
13	12.5	27	27	38	96	70	48	1/2	PA01.1313.002	PA01.1313.003
13	12.5	27	27	38	96	70	48	1/2 NPT	PA01.1313.012	PA01.1313.013
13	12.5	27	27	38	96	70	48	M 22x1.5	PA01.1322.102	PA01.1322.103
20	20	34	34	45	114	84.5	57	3/4	PA01.2019.002	PA01.2019.003
20	20	34	34	45	114	84.5	57	3/4 NPT	PA01.2019.012	PA01.2019.013
25	25	41	41	52	131	99	65.5	1	PA01.2525.002	PA01.2525.003
25	25	41	41	52	131	99	65.5	1 NPT	PA01.2525.012	PA01.2525.013
Chromium Plated										
10	10	22	22	30	85	60.5	42.5	3/8	PAOC.1010.002	PAOC.1010.003
13	12.5	27	27	38	96	70	48	1/2	PAOC.1313.002	PAOC.1313.003
20	20	34	34	45	114	84.5	57	3/4	PAOC.2019.002	PAOC.2019.003