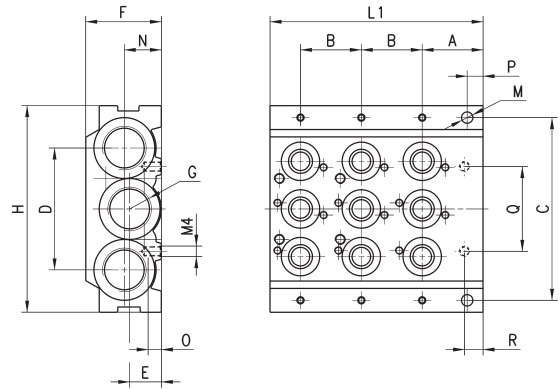


**Initial / final Module with three positions - Mod. CNVL-...**



The following is supplied:  
 3x interface O-Rings manifold/manifold;  
 2x fixing nuts;  
 2x junction plugs;  
 9x interface seals valve/manifold (CNVL-3H3)  
 or 3x interface seals valve/manif. (CNVL-4H3);  
 6x fixing screws for valves



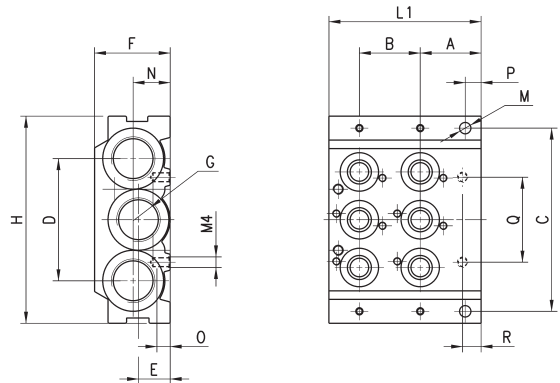
DIMENSIONS															
Mod.	A	B	C	D	E	F	H	L1	M	N	O	P	Q	R	G
CNVL-3H3	23	23	69,5	46	12	29	78	80,5	4,3	14	5	6	32	7	3/8
CNVL-4H3	26	26	88	60	14	29	98	91	4,3	-	5	5	38	7	1/2

CNVL-3H3: for Series 3, G1/8  
 CNVL-4H3: for Series 3, G1/4

**Initial / final Module with 2 positions - Mod. CNVL-...**



Initial module with 2 positions  
 The following is supplied:  
 3x interface O-Rings manifold/manifold;  
 2x fixing nuts;  
 2x junction plugs;  
 6x interface seals valve/manifold (CNVL-3H2)  
 or 2x interface seals valve/manif. (CNVL-4H2);  
 4x fixing screws for valves



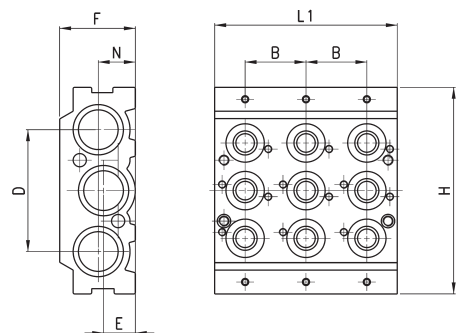
DIMENSIONS															
Mod.	A	B	C	D	E	F	H	L1	M	N	O	P	Q	R	G
CNVL-3H2	23	23	69,5	46	12	29	78	57,5	4,3	14	5	6	32	7	3/8
CNVL-4H2	26	26	88	60	14	29	98	65	4,3	-	5	5	38	7	1/2

CNVL-3H2: for Series 3, G1/8  
 CNVL-4H2: for Series 3, G1/4

**Intermediate module with 3 positions - Mod. CNVL-...**



The following is supplied:  
 3x interface O-Rings manifold/manifold;  
 2x fixing nuts;  
 2x junction plugs;  
 9x interface seals valve/manifold (CNVL-3I3)  
 or 3x interface seals valve/manif. (CNVL-4I3);  
 6x fixing screws for valves



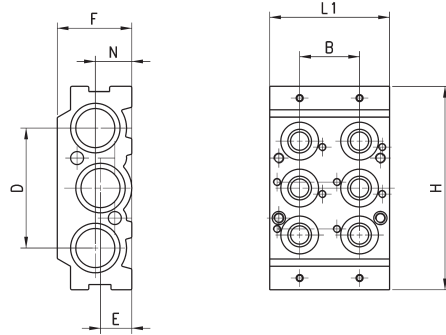
DIMENSIONS							
Mod.	B	D	E	F	H	L1	N
CNVL-3I3	23	46	12	29	78	69	14
CNVL-4I3	26	60	14	29	98	78	-

CNVL-3I3: for Series 3, G1/8  
 CNVL-4I3: for Series 3, G1/4

### Intermediate module with 2 positions - Mod. CNVL-...



The following is supplied:  
 3x interface O-Rings manifold/manifold;  
 2x fixing nuts;  
 2x junction plugs;  
 6x interface seals valve/manifold (CNVL-3I2)  
 or 2x interface seals valve/manif. (CNVL-4I2);  
 4x fixing screws for valves



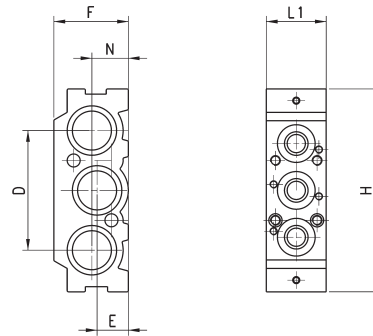
DIMENSIONS							
Mod.	B	D	E	F	H	L1	N
CNVL-3I2	23	46	12	29	78	46	14
CNVL-4I2	26	60	14	29	98	52	-

CNVL-3I2: for Series 3, G1/8  
 CNVL-4I2: for Series 3, G1/4

### Intermediate module with 1 position - Mod. CNVL-...



The following is supplied:  
 3x interface O-Rings manifold/manifold;  
 2x fixing nuts;  
 2x junction plugs;  
 3x interface seals valve/manifold (CNVL-3I1)  
 or 1x interface seal valve/manif. (CNVL-4I1);  
 2x fixing screws for valves



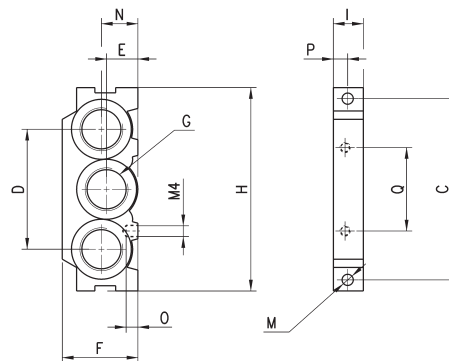
DIMENSIONS						
Mod.	D	E	F	H	L1	N
CNVL-3I1	46	12	29	78	23	14
CNVL-4I1	60	14	29	98	26	-

CNVL-3I1: for Series 3, G1/8  
 CNVL-4I1: for Series 3, G1/4

### Terminal module Mod. CNVL-\*H



The following is supplied:  
 2x fixing nuts



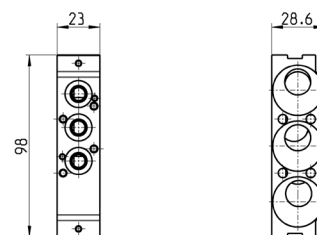
DIMENSIONS												
Mod.	C	D	E	F	H	I	M	N	O	P	Q	G
CNVL-3H	69,5	46	12	29	78	11,5	4,3	14	5	6	32	3/8
CNVL-4H	88	60	14	29	98	13	4,3	-	5	8	29	1/2

CNVL-3H: for Series 3, G1/8  
 CNVL-4H: for Series 3, G1/4

### Interface module manifold between Series 3 G1/8 and G1/4



The following is supplied:  
 3x interface seal  
 2x screws  
 2x pins  
 4x plugs  
 6x O-Rings



Mod.
CNVL-4H-3H

It is possible to seat 1 valve, series 3 with G1/8 port.