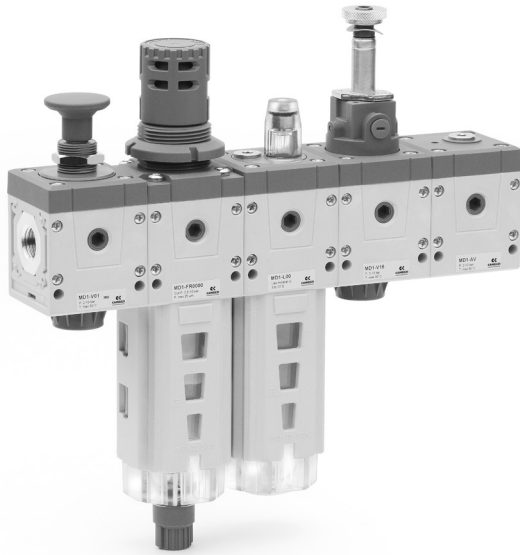


Series MD assembled FRL

Ports with interchangeable cartridges: threaded (1/8, 1/4, 3/8) or integrated with super-rapid fitting for tube with Ø 6, 8 and 10 mm
Modular assembly



- » Compact design
- » Optimized dimensions
- » Great reliability
- » Easy and quick maintenance
- » Reduced weight
- » Quick fixing
- » Wide range of functions
- » Additional air intakes

The Series MD offers multi-sector solutions that ensure saving in terms of installation time, space and costs.

The various functions can be connected by means of intermediate junctioning cartridges.

The regulator and the valves can be adjusted so as to have the regulation devices or the actuation in front or lower position.

There are different types of wall mounting available.

Thanks to the solution adopted for the pneumatic connection, it is possible to equip the same element with interchangeable cartridges that can either be threaded, or with an integrated super-rapid fitting, both types available in different sizes. Intermediate cartridges can be also integrated to join multiple functions or with derivation to draw air.

GENERAL DATA

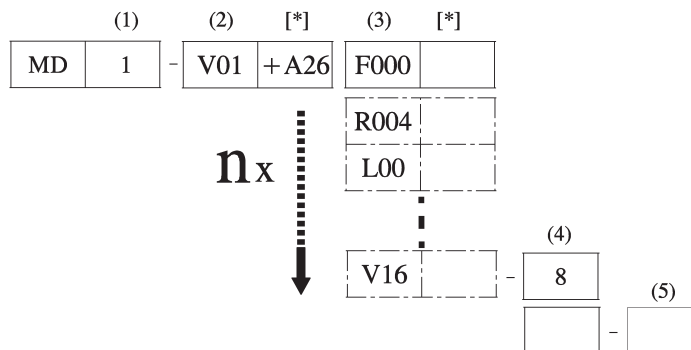
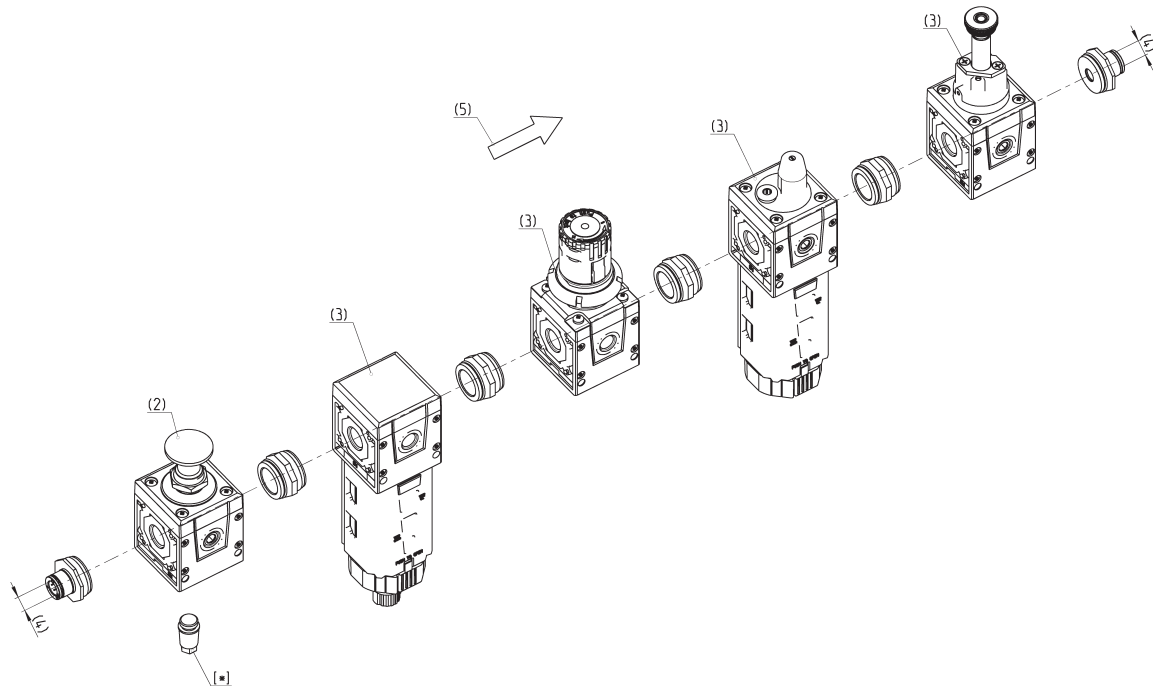
Construction	modular, compact
Materials	see catalogue pages referring to the single component
Ports	with interchangeable cartridges: 1/8, 1/4 and 3/8 threaded or integrated with super-rapid fitting for tube with Ø 6, 8 and 10 mm
Fixing	vertical in-line; wall-mounting by means of through holes in the body or with a support bracket; panel mounting
Operating temperature	-5°C ÷ 50°C up to 16 bar (according to the single component characteristics)

CONFIGURATION OF SERIES MD ASSEMBLED GROUPS

TO CONFIGURE THE SERIES MD ASSEMBLED GROUPS, USE THE HERE BELOW EXAMPLE AND THE RELATED LEGEND ON THE FOLLOWING PAGE.

Configuration of the assembled group in the drawing below:

MD1-V01+A26F000L00V16-8



CONFIGURATOR OF SERIES MD ASSEMBLED GROUPS

MD	1	-	V01	F000	R000	L00	V16	-	8	-	LH
-----------	----------	----------	------------	-------------	-------------	------------	------------	----------	----------	----------	-----------

MD		SERIES
1	(1)	DIMENSION: 1 = 42 mm
-		
V01	(2)	MODULE + [*] (to configure the modules, see the single components pages): F... = Filter FC... = Coalescing filter FCA... = Activated carbons filter R... = Pressure regulator L... = Lubricator FR... = Filter-Regulator V... = Lockable isolation valve AV... = Soft start valve B... = Take-off block
	[*]	The following ACCESSORIES can be added after every single module: REGULATOR, FILTER-REGULATOR AND MANIFOLD REGULATOR +A01 = M043-P04 (pressure gauge) +A02 = M043-P06 (pressure gauge) +A03 = M043-P10 (pressure gauge) +A04 = M043-P12 (pressure gauge) +A05 = SWCN-P10-P3-2 (pressure switch) +A06 = SWCN-P10-P4-2 (pressure switch) +A07 = SWCN-P10-P4-M (pressure switch) +A08 = PG010-PB-1/8 (pressure gauge) LOCKABLE ISOLATION VALVE ...V01 / V16 / V36 +A25 = 2901 1/8 (silencier) +A26 = 2921 1/8 (silencier) - recommended choice +A27 = 2931 1/8 (silencier) +A28 = 2938 1/8 (silencier) +A01 = M043-P04 (pressure gauge) +A02 = M043-P06 (pressure gauge) +A03 = M043-P10 (pressure gauge) +A04 = M043-P12 (pressure gauge) +A05 = SWCN-P10-P3-2 (pressure switch) +A06 = SWCN-P10-P4-2 (pressure switch) +A07 = SWCN-P10-P4-M (pressure switch) +A08 = PG010-PB-1/8 (pressure gauge) SOFT START VALVE AND 5-WAY TAKE-OFF BLOCK +A15 = PM11-NC (pressure switch mounted on top) +A16 = PM11-NA (pressure switch mounted on top) +A17 = PM681-1 (pressure switch mounted on top) +A18 = PM681-3 (pressure switch mounted on top) +A19 = PM11-SC + S2520 1/8-1/4 (pressure switch with fitting mounted on top) +A05 = SWCN-P10-P3-2 (front mounted pressure switch) +A06 = SWCN-P10-P4-2 (front mounted pressure switch) +A07 = SWCN-P10-P4-M (front mounted pressure switch) +A08 = PG010-PB-1/8 (front mounted pressure switch) INTERMEDIATE JOINING CARTRIDGE WITH DERIVATION (MD1-B) +A17 = PM681-1 (pressure switch mounted on top) +A18 = PM681-3 (pressure switch mounted on top)
F000	(3)	see MODULE (2) + [*]
R000	(3)	see MODULE (2) + [*]
L00	(3)	see MODULE (2) + [*]
V16	(3)	see MODULE (2) + [*]
-		
8	(4)	PORTS (IN - OUT)**: = without cartridges 1/8 = G1/8 1/4 = G1/4 3/8 = G3/8 6 = tube Ø6 8 = tube Ø8 10 = tube Ø10
-		
LH	(5)	FLOW DIRECTION: = from left to right (standard) LH = from right to left

nx = the combination "(3) + (*)" can be repeated an odd ("n") number of times

** NOTE: if the inlet (IN) cartridge is different from the outlet (OUT) cartridge, both dimensions shall be indicated. Example: MD1-V01F000R000-3/8-8