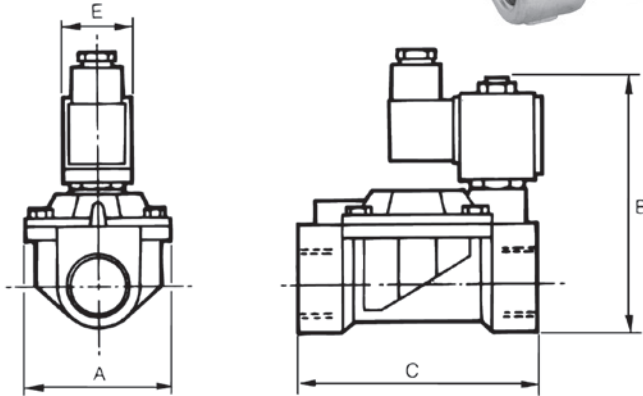


# Solenoid Valves - Servo Assisted

Connections: 3/8, 1/2, 3/4, 1, 1 1/4, 1 1/2, 2

Operations: Servo Assisted 2/2 NC or NO

PROCESS VALVES AND ACTUATION



**Technical Data**

**Type of Construction**

Servo - Assisted  
Normally closed or normally open

**Line Media**

Non-aggressive liquids and gases, ie air, oil, water

**Operating Pressure**

See table

**Operating Temperature**

Ambient: -10°C to +55°C  
Fluid: -10°C to +140°C

**Threads**

BSPP GAS Parallel ISO 228/1

**Materials**

Body: Brass  
Other Parts: Stainless steel  
Seals: Viton

**Mounting**

Normally in fixed pipework

**Standard Voltages**

12VDC 24VDC  
24VAC 110VAC 230VAC (50Hz)

**Protection Rating**

IP65 with connector  
- see pages 134-137

**Power Consumption**

DC: 8W  
AC: Working 14 VA In rush 25 VA

**Options**

Different voltages  
Bi-stable coils  
Different seals

**Special Requests**

For assistance, contact our technical office or your local Camozzi distributor.

- ✓ Ex Stock
- 🔧 UK Assembly
- 📞 Please Call Sales Office

**2/2 Servo - Assisted Solenoid Valves**

		Size	Orifice Ø mm	Dimensions				Pressure Range (bar)	
				A	B	C	E	AC	DC
21WA3KOV130	✓	3/8	13	40	97	60	30	0.2 - 16	0.2 - 16
21WA3ZOV130	✓	3/8	13	40	97	60	30	0.2 - 16	0.2 - 16
21WA4KOV130	✓	1/2	13	40	97	66	30	0.2 - 16	0.2 - 16
21WA4ZOV130	✓	1/2	13	40	97	66	30	0.2 - 16	0.2 - 16
21W3KV190	✓	3/4	19	65	105	104	30	0.2 - 16	0.2 - 16
21W3ZV190	✓	3/4	19	65	105	104	30	0.2 - 16	0.2 - 16
21W4KV250	✓	1	25	65	112	104	30	0.2 - 16	0.2 - 16
21W4ZV250	✓	1	25	65	112	104	30	0.2 - 16	0.2 - 16
21W5KV350	✓	1 1/4	35	98	125	144	30	0.2 - 10	0.2 - 10
21W5ZV350	✓	1 1/4	35	98	125	144	30	0.2 - 10	0.2 - 10
21W6KV400	✓	1 1/2	40	98	125	144	30	0.2 - 10	0.2 - 10
21W6ZV400	✓	1 1/2	40	98	125	144	30	0.2 - 10	0.2 - 10
21W7KV500	✓	2	50	118	141	172	30	0.2 - 10	0.2 - 10
21W7ZV500	✓	2	50	118	141	172	30	0.2 - 10	0.2 - 10

K = Normally Closed (NC), Z = Normally Open (NO)

Please specify coil voltage required when ordering. Price excludes coil - please order separately (see below).

**8 Watt Coils**

		Voltage
BDA08012CS	✓	12V DC
BDA08024CS	✓	24V DC
BDA08024DS	✓	24V AC
BDA08110DS	✓	110V AC
BDA08223DS	✓	230V AC



**For Moulded Connectors**

See pages 136-137