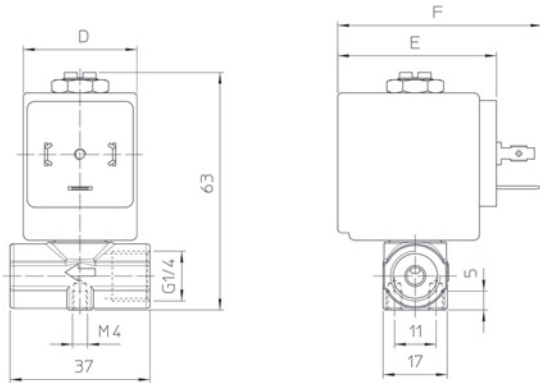
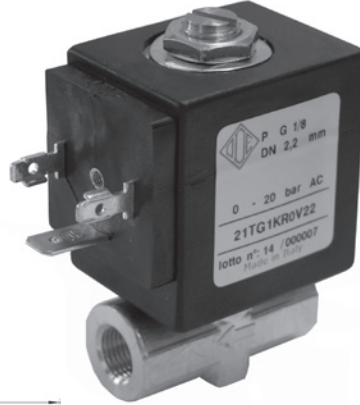


# Solenoid Valves - Direct Acting

Connections: 1/8, 1/4

Operation: Direct Acting 2/2 NC

PROCESS VALVES AND ACTUATION



**Technical Data**

**Type of Construction**

Direct - Acting  
Normally closed only

**Line Media**

Non-aggressive liquids and gases, ie air, oil, water

**Operating Pressure**

See table

**Operating Temperature**

Ambient: -10°C to +55°C  
Fluid: -10°C to +140°C

**Threads**

BSPG GAS Parallel ISO 228/1

**Materials**

Body: Brass  
Other Parts: Stainless steel  
Seals: Viton

**Mounting**

M4 mounting holes in body

**Standard Voltages**

12VDC 24VDC  
24VAC 110VAC 230VAC (50Hz)

**Protection Rating**

IP65 with connector  
- see pages 134-137

**Power Consumption**

DC: 8W  
AC: Working 14 VA In rush 25 VA

**Options**

Different voltages  
Bi-stable coils

**Special Requests**

For assistance, contact our technical office or your local Camozzi distributor.

- ✓ Ex Stock
- ✎ UK Assembly
- ⊙ Please Call Sales Office

Connection Sizes	D	E	F
1/8 - 1/4	30	42	54

2/2 Direct - Acting Solenoid Valves					
	Size	Orifice Ø mm	Pressure Range (bar)		
			AC	DC	
21TG1KROV17	✓ 1/8	1.7	0 - 30	0 - 20	
21TG1KROV22	✓ 1/8	2.2	0 - 20	0 - 15	
21TG1KROV28	✓ 1/8	2.8	0 - 14	0 - 10	
21TG1KROV40	✓ 1/8	4.0	0 - 6	0 - 3	
21TG2KROV17	✓ 1/4	1.7	0 - 30	0 - 20	
21TG2KROV22	✓ 1/4	2.2	0 - 20	0 - 15	
21TG2KROV28	✓ 1/4	2.8	0 - 14	0 - 10	
21TG2KROV40	✓ 1/4	4.0	0 - 6	0 - 3	

\*Please specify coil voltage required when ordering.  
Price excludes coil - please order separately (see below).

8 Watt Coils		
		Voltage
BDA08012CS	✓	12V DC
BDA08024CS	✓	24V DC
BDA08024DS	✓	24V AC
BDA08110DS	✓	110V AC
BDA08223DS	✓	230V AC



**For Standard Connectors**

See pages 134-135