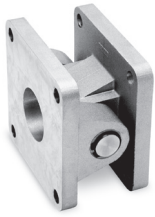
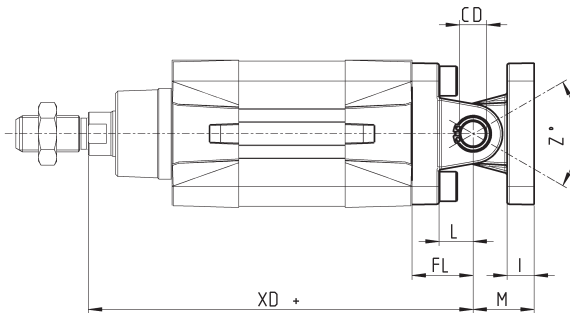
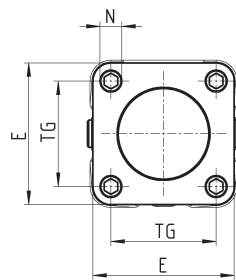


Accessory combination Mod. C+L+S



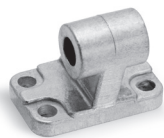
Material: aluminium

+ = add the stroke



DIMENSIONS												
Mod.	∅	E	TG	_g N	XD+	_g CD	L	FL	I	M	Z° (max)	torque force
C+L+S	32	45	32.5	6.5	142	10	12	22	10	22	30	6 Nm
C+L+S	40	53.5	38	6.5	160	12	15	25	10	25	40	6 Nm
C+L+S	50	62.5	46.5	9	170	12	15	27	12	27	25	13 Nm
C+L+S	63	73	56.5	9	190	16	20	32	12	32	36	13 Nm
C+L+S	80	92	72	11	210	16	24	36	12	36	34	19 Nm
C+L+S	100	108.5	89	11	230	20	29	41	12	41	38	22 Nm
C+L+S	125	132	110	13	275	25	30	50	25	50	30	26 Nm

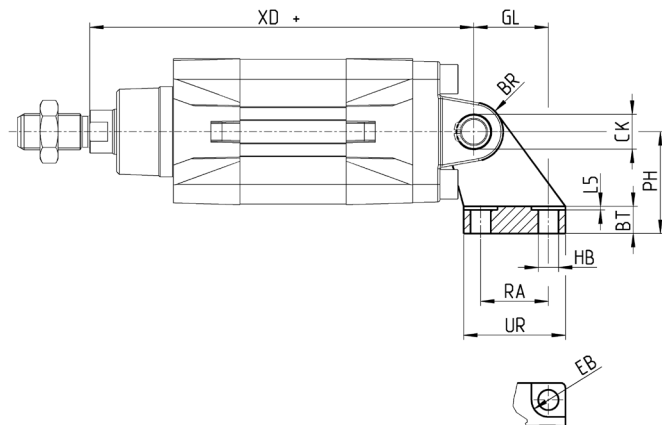
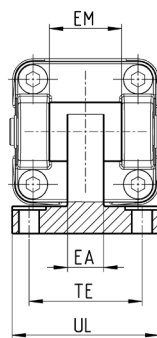
90° male trunnion Mod. ZC



CETOP RP 107P
Material: Aluminium

Supplied with:
1x male support

+ = add the stroke



DIMENSIONS																
Mod.	∅	EB	CK	HB	XD+	TE	UL	EA	GL	L5	RA	EM	UR	PH	BT	BR
ZC-32	32	11	10	6,6	142	38	51	10	21	1,6	18	26	31	32	8	10
ZC-40	40	11	12	6,6	160	41	54	15	24	1,6	22	28	35	36	10	11
ZC-50	50	15	12	9	170	50	65	16	33	1,6	30	32	45	45	12	13
ZC-63	63	15	16	9	190	52	67	16	37	1,6	35	40	50	50	14	15
ZC-80	80	18	16	11	210	66	86	20	47	2,5	40	50	60	63	14	15
ZC-100	100	18	20	11	230	76	96	20	55	2,5	50	60	70	71	17	19
ZC-125	125	20	25	14	275	94	124	30	70	3,2	60	70	90	90	20	22,5