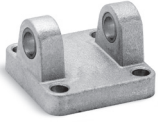


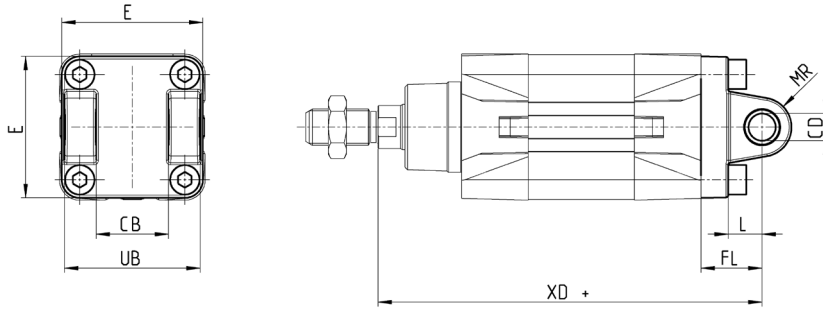
### Rear female trunnion Mod. C and C-H

Material: Aluminium



Supplied with:  
1x female trunnion  
4x screws

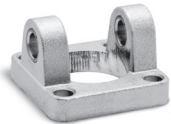
+ = add the stroke



Mod.	∅	CD	L	FL	XD+	MR	E	CB	UB	torque force
C-41-32	32	10	12	22	142	10	45	26	45	6 Nm
C-41-40	40	12	15	25	160	12	53.5	28	52	6 Nm
C-41-50	50	12	15	27	170	13	62.5	32	60	13 Nm
C-H-41-63	63	16	20	32	190	17	73	40	70	13 Nm
C-H-41-80	80	16	24	36	210	17	92	50	90	19 Nm
C-H-41-100	100	20	29	41	230	21	108.5	60	110	22 Nm
C-H-41-125	125	25	30	50	275	26	132	70	130	26 Nm

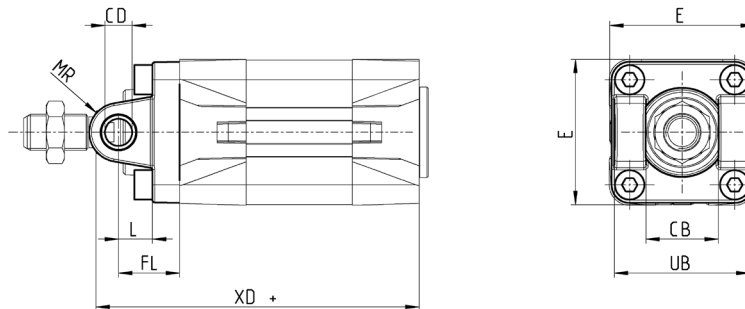
### Front female trunnion Mod. H and C-H

Material: Aluminium



Supplied with:  
1x female trunnion  
4x screws

+ = add the stroke



Mod.	∅	CB	UB	E	XD	FL	L	CD	MR	torque force
H-41-32	32	26	45	45	120	22	12	10	10	6 Nm
H-41-40	40	28	52	53.5	135	25	15	12	12	6 Nm
H-41-50	50	32	60	62.5	143	27	15	12	13	13 Nm
H-60-63	63	40	70	73	158	32	20	16	17	13 Nm
C-H-41-80	80	50	90	92	174	36	24	16	17	19 Nm
C-H-41-100	100	60	110	108.5	189	41	29	20	21	22 Nm
C-H-41-125	125	70	130	132	225	50	30	25	26	26 Nm