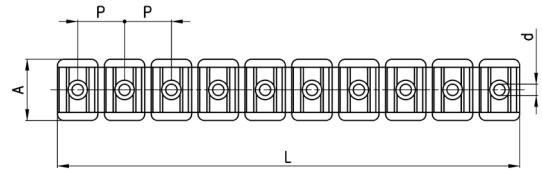


Plastic tubes clamps Mod. MPL

Colour: Blue



Mod.	Tube Ø	L	A	d	P	Number of positions
MPL-4	4	114	19	2.8	11.7	10
MPL-6	6	114	19	2.8	11.7	10
MPL-8	8	143	19	3.8	14.6	10
MPL-10	10	172	19	5.3	17.4	10
MPL-12	12	162	19	5.3	20.5	8
MPL-14	14	180	19	5.3	22.5	8

Tube cutter tool Mod. PNZ... and PNZP-12

Tubes cutter Mod. PNZ...: replacement blades can be ordered separately.

Tubes cutter Mod. PNZP-12: plastic.



PNZ-...

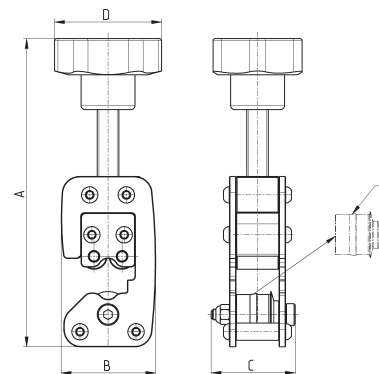


PNZP-12

Mod.	
PNZ-12	able to cut tubes with Ø up to 12 mm
PNZ-25	able to cut tubes with Ø up to 25 mm
PNZP-12	able to cut tubes with Ø up to 12 mm

Grooving tool for metallic tubes

New



Mod.	Tube Ø	A (max)	B	C	D	Weight (g)	E (spare wheel)
8TRT 4	4	138	43.5	39	50	450	RTRT 4
8TRT 6	6	140	43.5	39	50	450	RTRT 6
8TRT 8	8	143	44	39	50	450	RTRT 8
8TRT 10	10	145	44	39	50	450	RTRT 10
8TRT 12	12	147	44.5	39	50	450	RTRT 12
8TRT 14	14	149	45	39	50	450	RTRT 14
8TRT 16	16	151	45	39	50	450	RTRT 16