

# Flow control valves in 316L stainless steel

## Series XRFU and XRFO



- » Series XRFU: unidirectional flow control valves for cylinder speed regulation
- » Series XRFO: bidirectional flow control valves for air flow regulation and all compatible fluids with components materials

The unidirectional and bidirectional flow controllers are equipped with G1/8, G1/4, G3/8 and G1/2 ports. All models can be used in environments with aggressive fluids or gases.

### GENERAL DATA

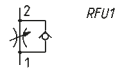
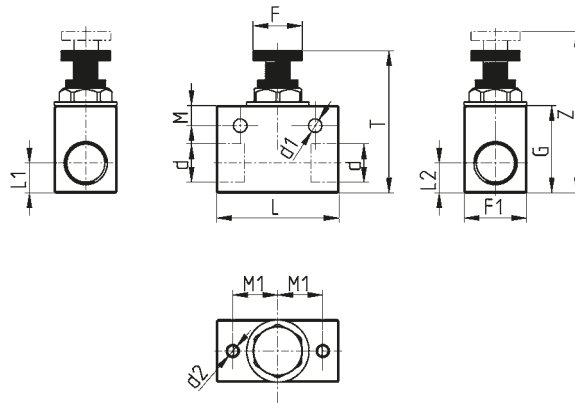
<b>Construction</b>	needle-type
<b>Valve group</b>	unidirectional and bidirectional controller
<b>Materials</b>	body in 316L stainless steel, FKM seals
<b>Mounting</b>	with screws in the holes of the valve body or panel mounted
<b>Threads</b>	G1/8, G1/4, G3/8, G1/2 1/8 NPT, 1/4 NPT, 3/8 NPT, 1/2 NPT
<b>Installation</b>	in any position
<b>Operating temperature</b>	-15°C +120°C
<b>Operating pressure</b>	- 0,5 ÷ 16 bar (unidirectional regulator) 0 ÷ 40 bar (bidirectional regulator)
<b>Nominal pressure</b>	6 bar
<b>Nominal diameter</b>	G1/8 = 6 - G1/4 = 6 - G3/8 = 9 - G1/2 = 10 - PT1/8 = 6 - PT1/4 = 6 - PT3/8 = 9 - PT1/2 = 10
<b>Medium</b>	filtered air without lubrication with unidirectional and bidirectional flow control valves all fluids compatible with the materials of the bidirectional flow control valves

### CODING EXAMPLE

<b>X</b>	<b>RF</b>	<b>U</b>	<b>-</b>	<b>1/8</b>	<b>PT</b>
----------	-----------	----------	----------	------------	-----------

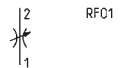
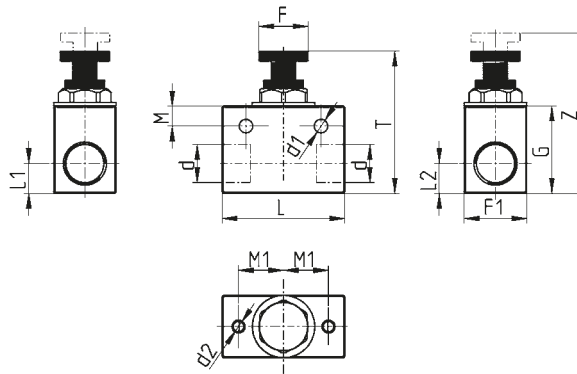
<b>X</b>	= INOX
<b>RF</b>	SERIES
<b>U</b>	FUNCTION: U = unidirectional O = bidirectional
<b>1/8</b>	PORTS: 1/8 1/4 3/8 1/2
<b>PT</b>	PORTS: = gas PT = NPT

### Unidirectional flow control valves Series XRFU



DIMENSIONS													
Mod.	d	d1	d2	F	F1	G	L	L1	L2	M	M1	T	Z
XRFU 1/8	G1/8	5,4	M5	20	20	30	40	6,5	13,5	8	15	49	54
XRFU 1/4	G1/4	5,4	M5	20	20	30	40	8	12	8	15	49	54
XRFU 3/8	G3/8	5,4	M5	20	25	35	49	10,5	15,5	8	18	57	66
XRFU 1/2	G1/2	5,4	M5	20	25	35	49	12,5	13	8	18	57	66
XRFU 1/8PT	1/8NPT	5,4	M5	20	20	30	40	6,5	13,5	8	15	49	54
XRFU 1/4PT	1/4NPT	5,4	M5	20	20	30	40	8	12	8	15	49	54
XRFU 3/8PT	3/8NPT	5,4	M5	20	25	35	49	10,5	15,5	8	18	57	66
XRFU 1/2PT	1/2NPT	5,4	M5	20	25	35	49	12,5	13	8	18	57	66

### Bidirectional flow control valves Series XRF0



DIMENSIONS													
Mod.	d	d1	d2	F	F1	G	L	L1	L2	M	M1	T	Z
XRF0 1/8	G1/8	5,4	M5	20	20	30	40	6,5	13,5	8	15	49	54
XRF0 1/4	G1/4	5,4	M5	20	20	30	40	8	12	8	15	49	54
XRF0 3/8	G3/8	5,4	M5	20	25	35	49	10,5	15,5	8	18	57	66
XRF0 1/2	G1/2	5,4	M5	20	25	35	49	12,6	13	8	18	57	66
XRF0 1/8PT	1/8NPT	5,4	M5	20	20	30	40	6,5	13,5	8	15	49	54
XRF0 1/4PT	1/4NPT	5,4	M5	20	20	30	40	8	12	8	15	49	54
XRF0 3/8PT	3/8NPT	5,4	M5	20	25	35	49	10,5	15,5	8	18	57	66
XRF0 1/2PT	1/2NPT	5,4	M5	20	25	35	49	12,6	13	8	18	57	66