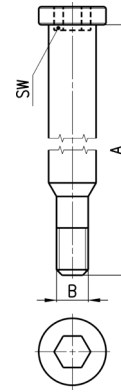


**Screws for assembling (kit E)**



The kit MC1-VM is supplied with:  
2 male screws; 1 O-ring 2068.  
The kit MC2-VM is supplied with:  
2 male screws; 1 O-ring 3100

Materials: zinc-plated steel screws and NBR O-ring.



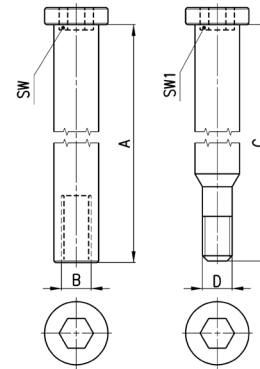
Mod.	A	B	SW	size
MC1-VM	48,5	M4	3	1
MC2-VM	65,5	M5	4	2

**Screws for assembling (kit F)**



The kit is supplied with: 2 male screws; 2 female screws; 1 O-ring (OR 2068 for MC1-VMF; OR 3100 for MC2-VMF).

Materials: zinc-plated steel male screws, nickel-plated steel female screws and NBR O-ring.



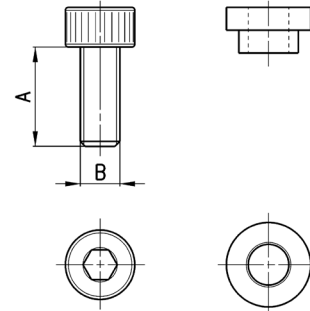
DIMENSIONS							
Mod.	A	B	C	D	SW	SW1	size
MC1-VMF	42	M4	48,5	M4	3	3	1
MC2-VMF	59	M5	68,5	M5	4	4	2

**Screws (kit G) to assemble 2 bodies type "M"**



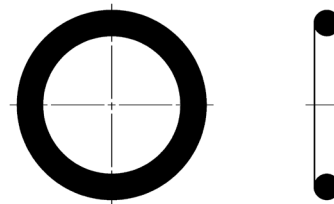
The kit MC1-VMD is supplied with:  
4 screws M4X10; 4 spacers; 2 O-ring 2068.  
The kit MC2-VMD is supplied with:  
4 screws M5X12; 4 spacers; 2 O-ring 3100.

Materials: zinc-plated steel screws, brass spacers and NBR O-ring.



Mod.	A	B	size
MC1-VMD	10	M4	1 *
MC2-VMD	12	M5	2 *

**O-ring for assembling**



Mod.	O-ring	For assembly
458-33/1	OR 2068	MC104
80-26-11/4T	OR 3100	MC238, MC202

\* spare parts only