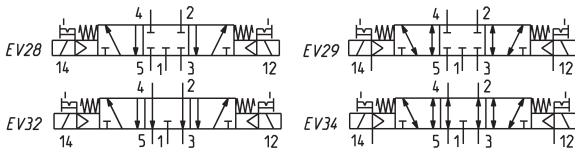
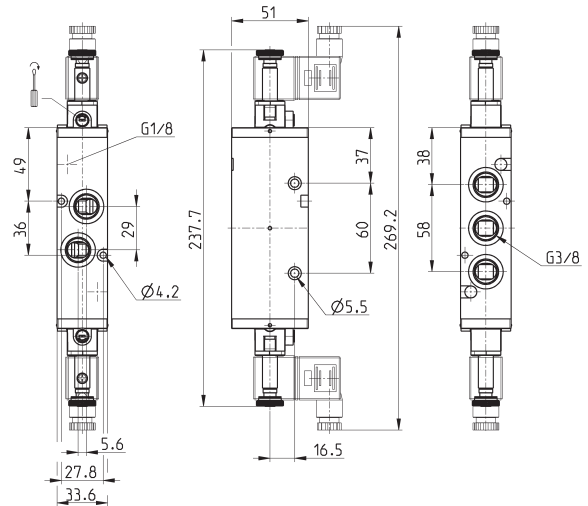


**5/3-way solenoid valve, G3/8 - Mod. 463-011... and 473-011...**

**New**



CC = Centres Closed  
CO = Centres Open

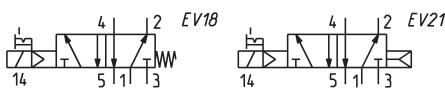
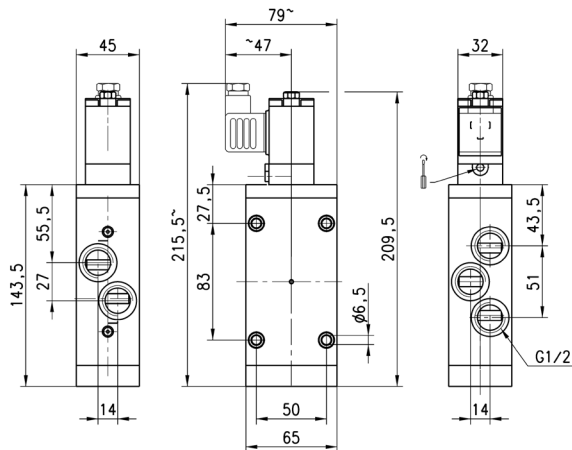


Mod.	Function	Flow Qn (NI/min)	Working pressure (bar)	Min. pilot pressure (bar)	Symbol
463-011-22	5/3 CC	1600	2.5 ÷ 10	-	EV28
463-E11-22	5/3 CC	1600	-0.9 ÷ 10	2.5	EV29
473-011-22	5/3 CO	1600	2.5 ÷ 10	-	EV32
473-E11-22	5/3 CO	1600	-0.9 ÷ 10	2.5	EV34

**5/2-way solenoid valve, G1/2, monostable - Mod. 452C...**



These solenoid valves, which have electropneumatic actuation and spring or pneumatic spring return are suitable for operating double-acting cylinders.

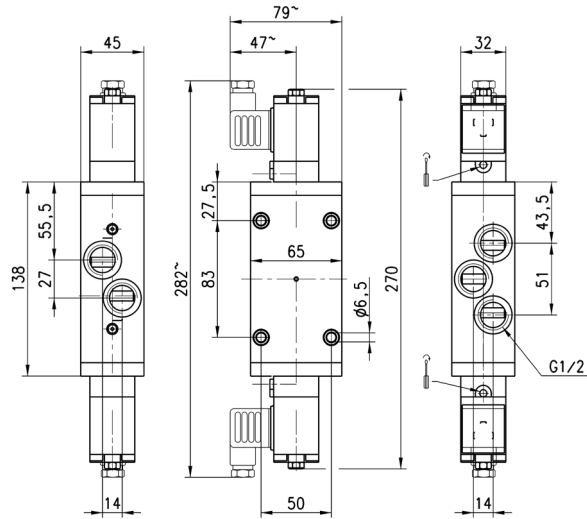
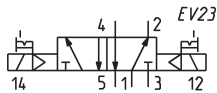


Mod.	Function	Flow rate Qn (NI/min)	Operating pressure (bar)	Symbol	
452C-015-50-A6*	5/2	2500	2.5 ÷ 10	EV18	* choose the desired voltage
452C-016-50-A6*	5/2	2500	2.5 ÷ 10	EV21	* choose the desired voltage

**5/2-way solenoid valve, G1/2, bistable - Mod. 452C-011...**



These solenoid valves, which have electropneumatic actuation and return, are suitable for operating double-acting cylinders.



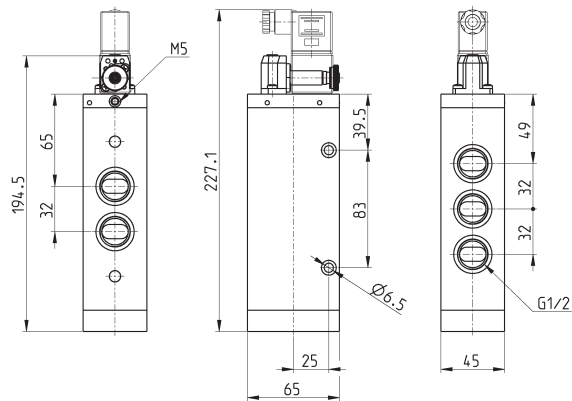
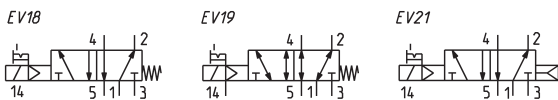
Mod.	Function	Flow rate Qn (NL/min)	Operating pressure (bar)
452C-011-50-A6*	5/2	2500	2 ÷ 10

\* choose the desired voltage

**5/2-way solenoid valve, G1/2, monostable - Mod. 452N-...**



These solenoid valves, which have electropneumatic actuation and spring or pneumatic spring return are suitable for operating double-acting cylinders.



Mod.	Function	Flow rate Qn (NL/min)	min. pilot Pressure (bar)	Working pressure (bar)	Symbol
452N-015-22	5/2	4000	-	2.5 ÷ 10	EV18
452N-016-22	5/2	4000	-	2.5 ÷ 10	EV21
452N-E15-22	5/2	4000	2.5	-0.9 ÷ 10	EV19