

# Electrically Actuated Three-Way Brass Ball Valves

Full Bore 3-way Brass Ball Valve (Type 3500 'T' port and 3600 'L' port page 293) with Direct Mount Electric Actuator

Part Number: 8E028\*\* \*(T)  
8E029\*\* \*(L)



**Technical Data**

**Media**

Most non-corrosive liquids and gases including air, water, fuels and propane.

**Operating Pressure**

Nominal working pressure (PN) in bar - see chart

**Flow Rates**

Flow rates stated in data sheet  
3500/3600

**Threads**

ISO 7/1 - UNI EN 10226/1 - Rp

**Materials**

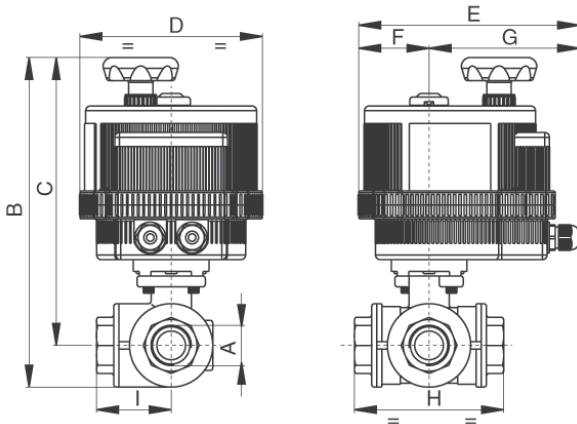
Body: Brass, Nickel-plated  
Balls: Brass, hard chromed  
Seal: PTFE and Viton and EPDM 'O' Ring

**Additional Options**

Modulating options:  
4 - 20mA or 0 - 10v  
Modulating complete with Battery Block for safety operation

**Special Requests**

For assistance, contact our technical office or your local Camozzi distributor.



- ✓ Ex Stock
- ✎ UK Assembly
- ☎ Please Call Sales Office

Voltage Supply Order Code			
For Mod. VB015	12V AC/DC **001	24V AC/DC **002	100-240V AC **004
For Mod. VB030-350	12V DC **001		

Dimensions (mm)												
Size	Thread	DN	PN	B	C	D	E	F	G	H	I	Elect. ACT
*02	1/4	8	30	190	173	123	164	43	121	67	34	VB 015
*03	3/8	10	30	190	173	123	164	43	121	67	34	VB 015
*04	1/2	15	30	195	175	123	164	43	121	77	39	VB 015
*05	3/4	20	30	208	184	123	164	43	121	87	44	VB 015
*06	1	25	16	265	235	157	191	61	130	105	53	VB 030
*07	1 1/4	32	10	284	248	157	191	61	130	123	62	VB 030
*08	1 1/2	40	10	332	289	185	215	68	147	139	70	VB 060
*10	2	50	10	356	300	185	215	68	147	166	83	VB 060

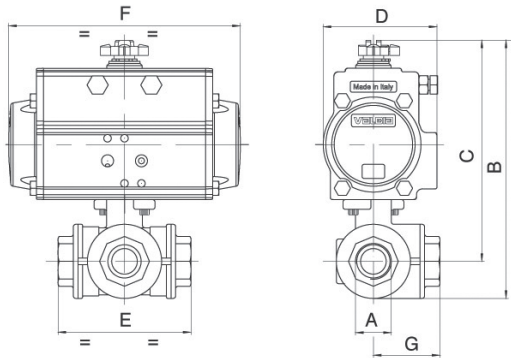
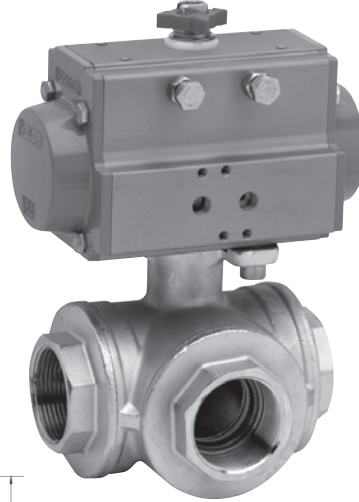
See full catalogue or catalogue.camozzi.com for all dimensions.  
For technical advice contact our sales office or your local Camozzi distributor.

# Pneumatically Actuated Three-Way Brass Ball Valves

Full Bore 3-way Brass Ball Valve (Type 3500 'T' port and 3600 'L' port page 293) with Direct Mount Pneumatic Actuator

Full bore 3-way Brass Ball Valve, L port or T port design with Direct Mount Pneumatic Actuator. NPT thread version also available. Pressure rating up to 30 BAR according to size.

Part Number: 8P008300\* (double acting T Ported)  
8P008400\* (double acting L Ported)  
8P008500\* (single acting T Ported)  
8P008600\* (single acting L Ported)



**Technical Data**

**Media**

Most non-corrosive liquids and gases including air, water, fuels and propane

**Operating Pressure**

Nominal working pressure (PN) in bar - see chart

**Operating Temperature**

-20°C to +160°C

**Threads**

DN - UNI EN 10226-1 Rp

**Materials**

Body: Brass, nickel plated  
Ball: Brass, chrome plated  
Seals: PTFE with Viton and EPDM 'O' Ring

**Additional Options**

Valve with NPTF thread.  
Limit switch boxes for open/closed position indication.  
NAMUR solenoid valves.  
Actuator sizing conditions are based on Water service at 16 Bar g with a minimum air supply pressure of 5.5 Bar g

**Special Requests**

For assistance, contact our technical office or your local Camozzi distributor.

- ✓ Ex Stock
- 🔧 UK Assembly
- 📞 Please Call Sales Office

**Valve Mounted on Double Acting Actuator. Types 8P008300-T 8P008400-L**

Dimensions (mm)												
Size	Thread	DN	PN	A	B	C	D	E	F	G	ACT	
*02	1/4	8	30	1/4	113	96	45	67	110	34	DA32	
*03	3/8	10	30	3/8	113	96	45	67	110	34	DA32	
*04	1/2	15	30	1/2	118	98	45	77	110	39	DA32	
*05	3/4	20	30	3/4	167	143	71	87	141	44	DA52	
*06	1	25	16	1	179	149	71	105	141	53	DA52	
*07	1 1/4	32	10	1 1/4	197	161	71	123	141	62	DA52	
*08	1 1/2	40	10	1 1/2	230	187	81	139	164	70	DA63	
*10	2	50	10	2	272	216	95	166	210	83	DA75	

**Valve Mounted on Single Acting Actuator. Types 8P008500-T 8P008600-L**

Dimensions (mm)												
Size	Thread	DN	PN	A	B	C	D	E	F	G	ACT	
*02	1/4	8	30	1/4	149	132	71	67	141	34	SR52	
*03	3/8	10	30	3/8	149	132	71	67	141	34	SR52	
*04	1/2	15	30	1/2	154	134	71	77	141	39	SR52	
*05	3/4	20	30	3/4	179	155	81	87	164	44	SR63	
*06	1	25	16	1	190	160	81	105	164	53	SR63	
*07	1 1/4	32	10	1 1/4	209	173	81	123	164	62	SR63	
*08	1 1/2	40	10	1 1/2	262	219	106	139	241	70	SR85	
*10	2	50	10	2	299	243	123	166	275	83	SR100	



NAMUR solenoid valves



Limit switch box